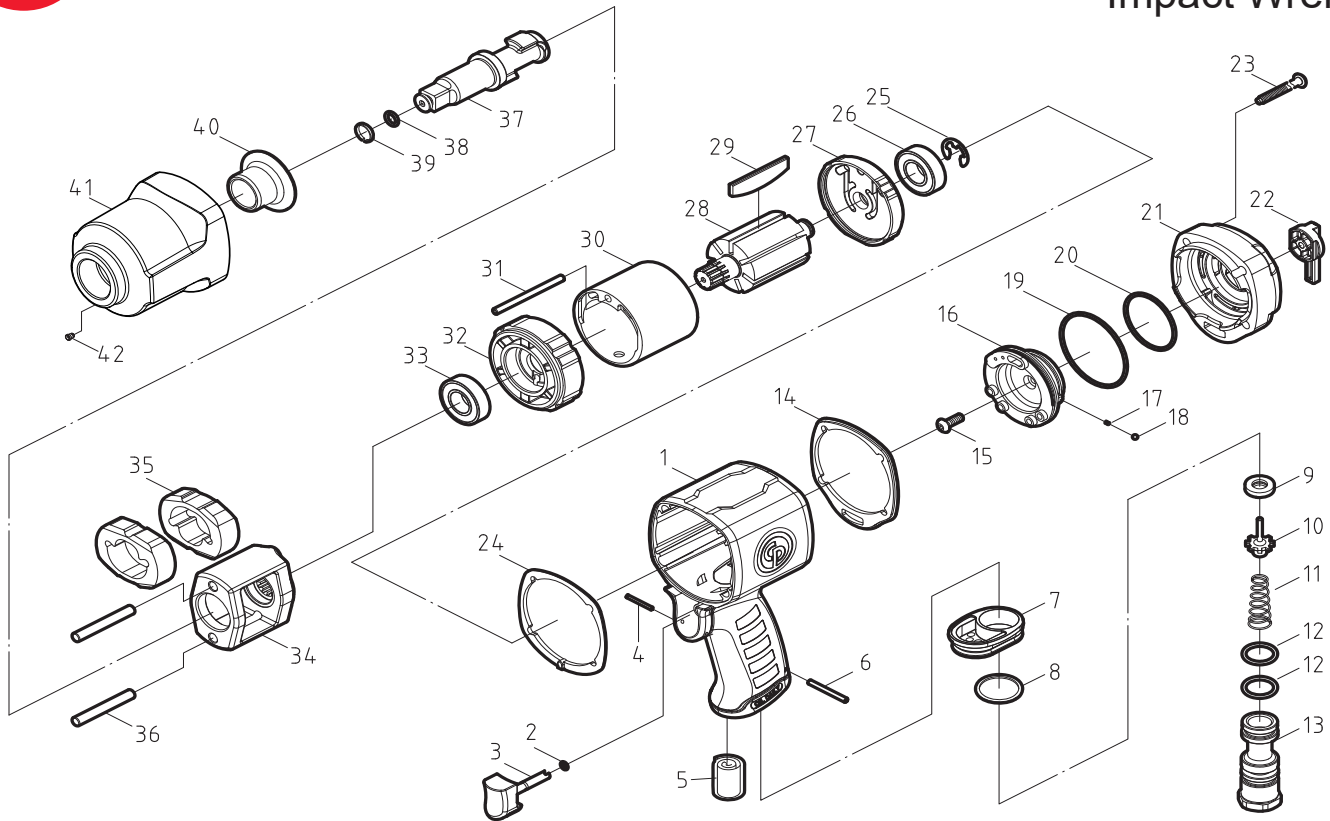




Chicago Pneumatic

CP7748 Series Model E Impact Wrench



Item No.	Part No.	Description	Q'ty
28	8950221418	Rotor	1
29	8950221419	Rotor Blade (Set of 7)	1
30	8950221420	Cylinder	1
34	8950240454	Hammer Cage	1
35	8950240455	Hammer	2
36	8950240456	Pin Set (x2)	1
A	8940169489	Housing Kit	
1		Housing	1
2		O-ring	1
3		Trigger	1
4		Spring Pin	1
5		Muffler	1
6		Threaded Pin M4xP0.7	1
7		Exhaust Deflector	1
8		Washer	1
9		Valve Seat	1
10		Valve Stem	1
11		Spring	1
12		O-ring	2
13		Air Inlet	1
B	8940169802	Trigger Kit	
2		O-ring	1
3		Trigger	1
4		Spring Pin	1
C	8940171695	Inlet Kit	
5		Muffler	1
6		Threaded Pin M4xP0.7	1
7		Exhaust Deflector	1
8		Washer	1
12		O-ring	2
13		Air Inlet	1
D	8940171696	Valve Kit	
5		Muffler	1
9		Valve Seat	1
10		Valve Stem	1
11		Spring	1
E	8940171697	Reverse Valve Rear Cover Kit (Included : 14, 15, 16, 17, 18, 19, 20, 21, 22 & 23(x4))	
F	8940172795	Reverse Valve Kit (Included : 15, 16, 17, 18, 19 & 20)	

Item No.	Part No.	Description	Q'ty
G	8950221423	End Plate Kit	
25		Retaining Ring	1
26		Ball Bearing	1
27		End Plate	1
H	8950221424	End Plate Kit	
32		End PLate	1
33		Ball Bearing	1
I	8950240460	Anvil Kit	
37		Anvil 1/2"	1
38		O-ring	1
39		Anvil Collar 1/2"	1
J	8940169492	Anvil Kit Extended	
37		Anvil 1/2"	1
38		O-ring	1
39		Anvil Collar 1/2"	1
K	8950251279	Anvil Collar Kit (5)	
38		O-ring	5
39		Anvil Collar 1/2"	5
L	8940169493	Hammer Case Kit	
24		Gasket	1
40		Anvil Bushing	1
41		Hammer Case	1
42		Grease Fitting	1
M	8950280019	Small Parts Kit	
5		Muffler	1
8		Washer	1
17		Spring	1
31		Spring Pin	1
40		Anvil Bushing	1
42		Grease Fitting	1
N	8950280020	Gasket Kit	
14		Gasket	1
23		Screw	4
24		Gasket	1
O	8940169810	Tune Up Kit (Included : 2, 4, 6, 12, 18, 19, 20, 25, 26, 29, 33)	



8940169372	Operator's Manual
8950900061	Warning Label
6159948710	Safety Instructions

Recommended Accessories

	Oil for motor lubrication
CA149661	(4 oz - 0.12 l)
CA000046	(20,8 oz. - 0, 59 l)
P089507	(1 gal - 3.8 l)

Spare parts without part number are not sold separately
Contact us at www.cp.com

03/10/2019
8940171698 Rev. : 09