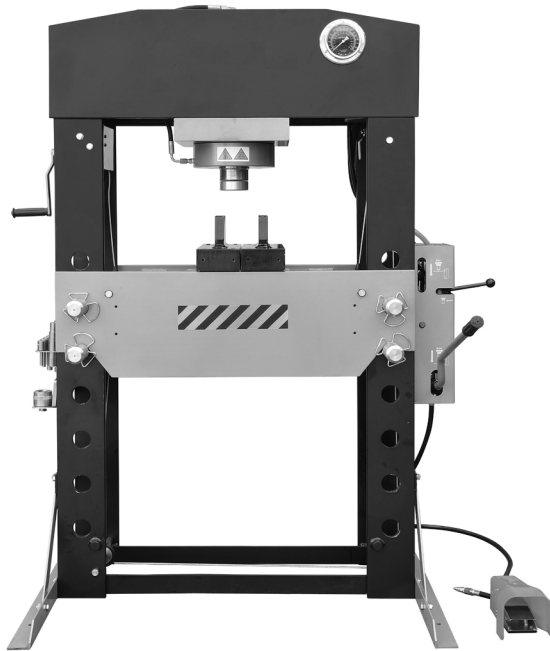




**Chicago  
Pneumatic**

# ***Operator's manual***

**CP86750/CP86100 HYDRAULIC  
PRESS**



## **WARNING**

*To reduce risk of injury, everyone using, installing, repairing, maintaining, changing accessories on, or working near this tool must read and understand these instructions, as well as separately provided safety instructions part number 8940170883, before performing any such task.*

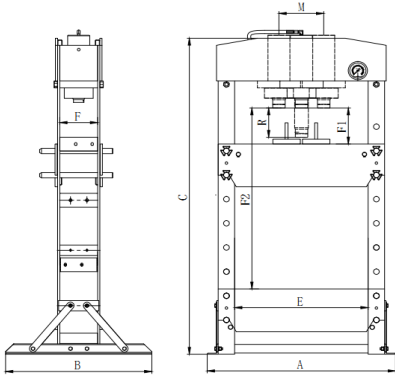


Fig.01

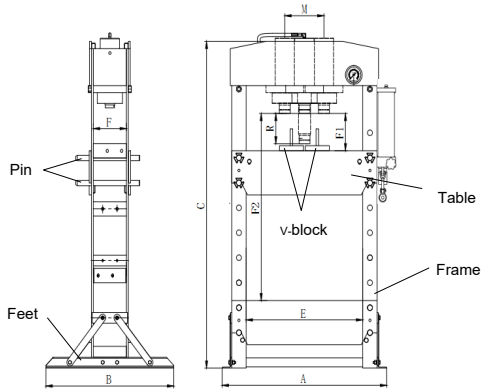


Fig.02

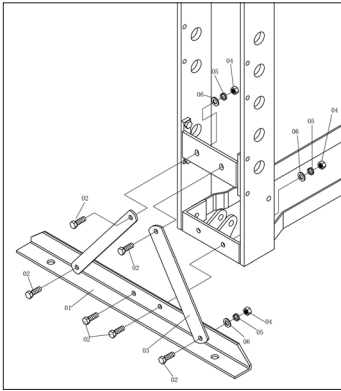


Fig.03

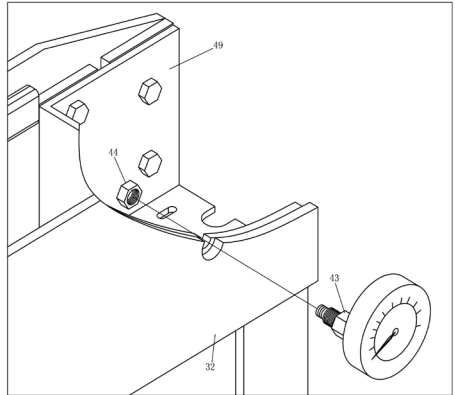


Fig.04

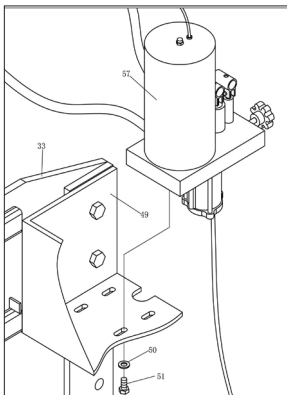


Fig.05

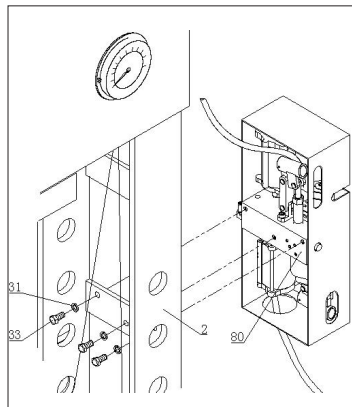


Fig.06

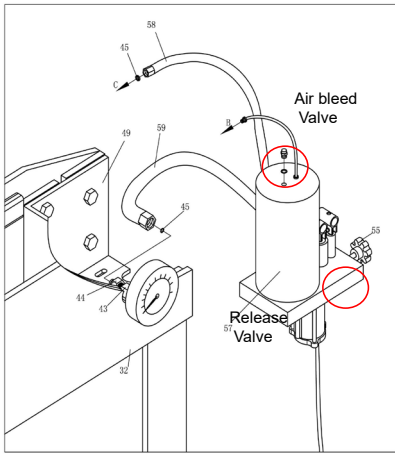


Fig.07

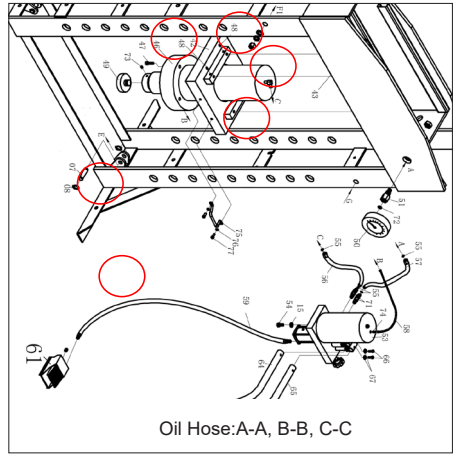


Fig.08

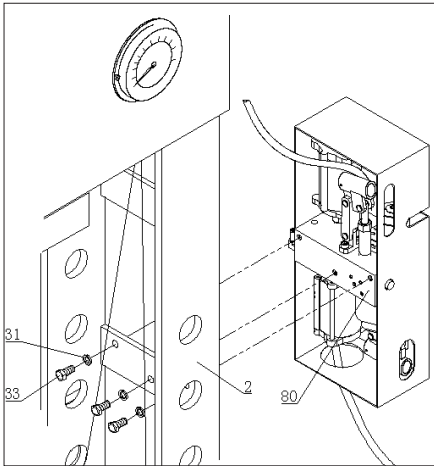


Fig.09

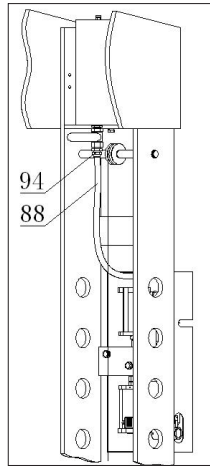


Fig.10

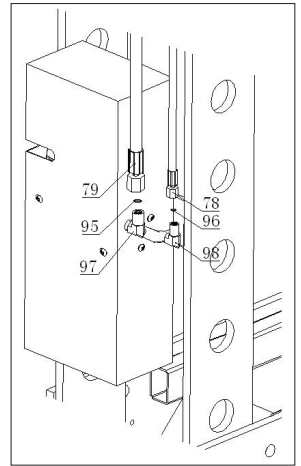


Fig.11

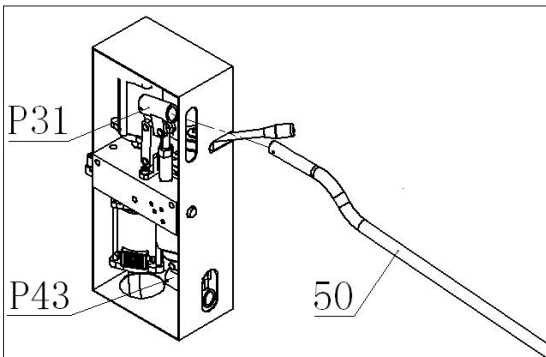


Fig.12

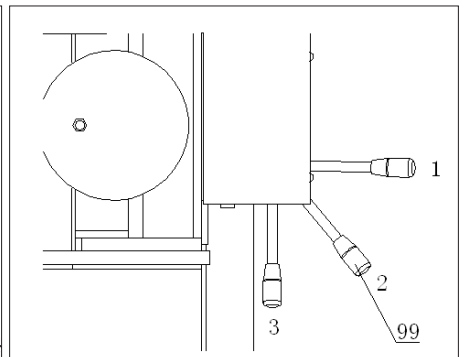


Fig.13

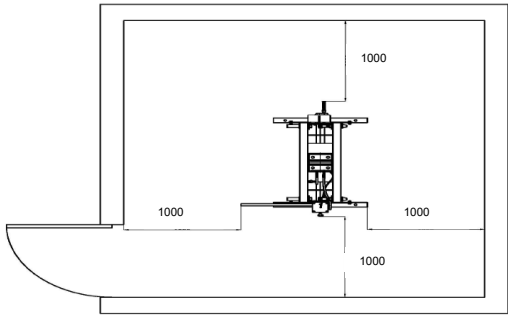


Fig.14

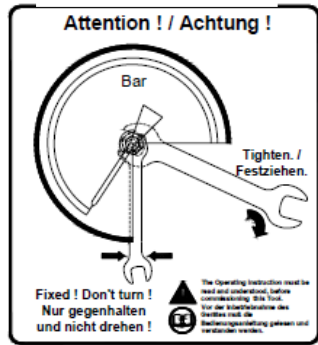


FIG 15

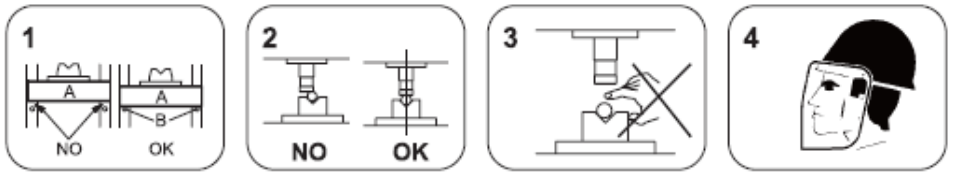


FIG 16

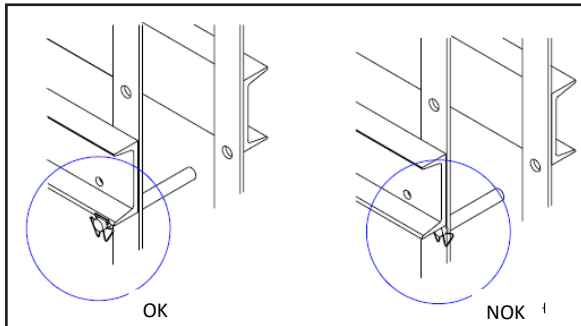


Fig.17

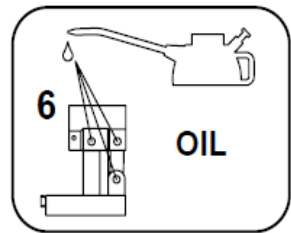
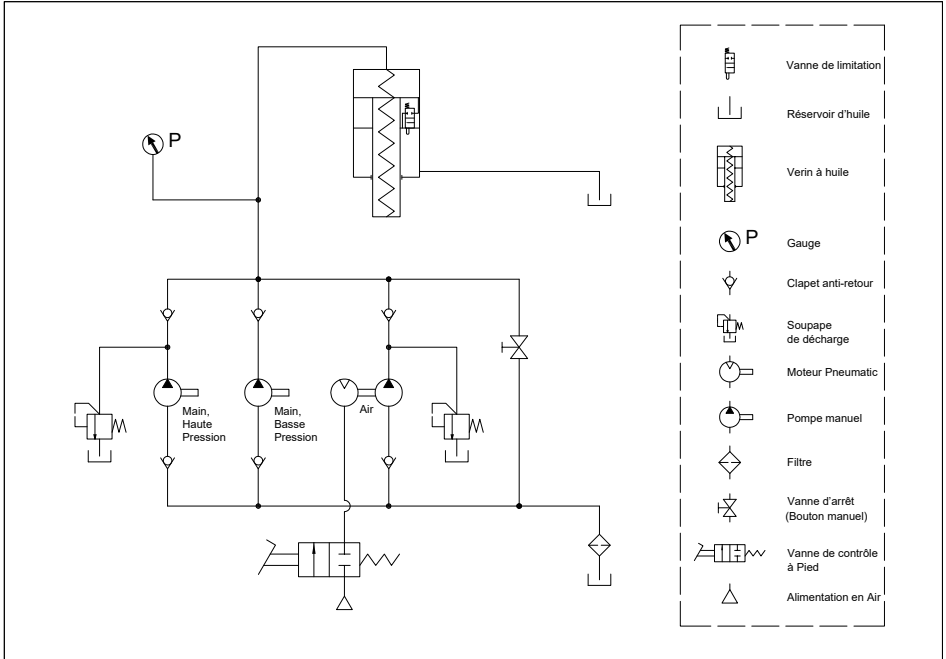
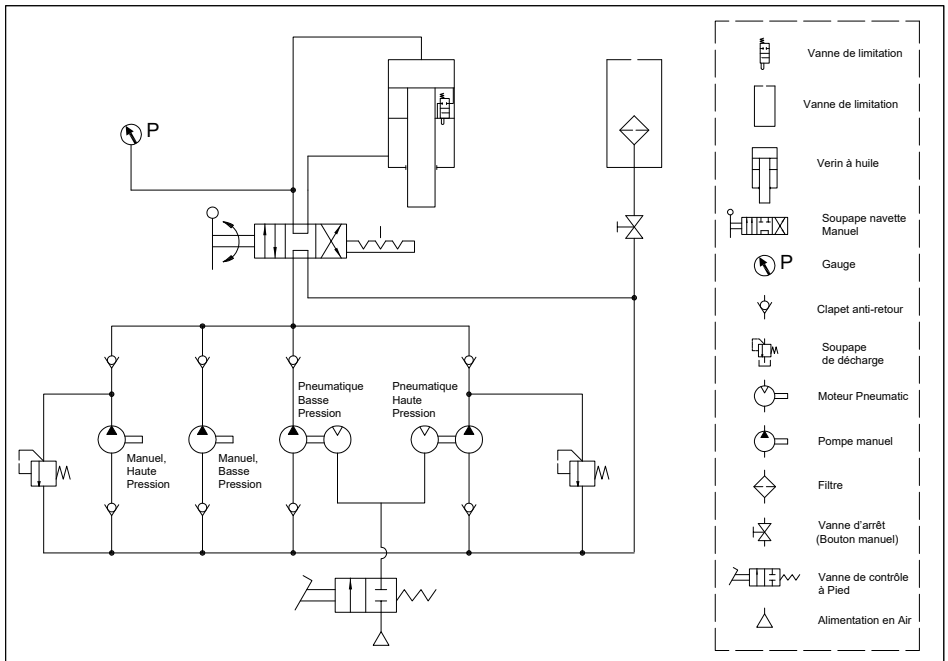


Fig.18

CP86750



CP86100






# DO NOT DISCARD - GIVE TO USER

<b>ES</b>	Español (Spanish)  <b>ADVERTENCIA</b>
	Antes de utilizar la herramienta o intervenir sobre ella, asegúrense de que la información que figura a continuación, así como las instrucciones que aparecen en la guía de seguridad (Código artículo: 8956200010) han sido leídas, entendidas y respetadas.

<b>FR</b>	Français (French)  <b>ATTENTION</b>
	Avant toute utilisation ou intervention sur l'outil, veillez à ce que les informations suivantes ainsi que les instructions fournies dans le guide de sécurité (Code article: 8956200010) aient été lues, comprises et respectées.

<b>IT</b>	Italiano (Italian)  <b>ATTENZIONE</b>
	Prima di qualsiasi utilizzazione o intervento sull'attrezzo, verificate che le informazioni che seguono e le istruzioni contenute nella guida di sicurezza (Codice articolo: 8956200010) siano state lette, comprese e rispettate.

<b>SV</b>	Svenska (Swedish)  <b>VARNING</b>
	Läs noga igenom dessa säkerhetsinstruktioner liksom anvisningarna i säkerhetsguiden (Artikelkod: 8956200010) innan du börjar använda verktyget.


<b>DE</b>	Deutsch (German)  <b>VORSICHT</b>
	Werkzeuge erst benutzen, wenn die nachstehenden Hinweise und die Regeln des Sicherheitsleitfadens (Artikel-Nr. 8956200010) gelesen und verstanden wurden.



<b>PT</b>	Português (Portuguese)  <b>AVISO</b>
	Antes de utilizar ou intervir na ferramenta, leia atentamente e respeite as informações seguintes assim como as instruções fornecidas no manual de segurança (Código artigo: 8956200010).



<b>NO</b>	Norsk (Norewegian)  <b>ADVARSEL</b>
	Før enhver bruk eller reparasjon av verktøyet skal de følgende instruksjonene og forskriftene i sikkerhetsheftet (artikkelnummer: 8956200010) leses nøye.


<b>NL</b>	Nederlands (Dutch)  <b>WAARSCHUWING</b>
	Voor gebruik of demontage van het gereedschap altijd eerst zekerstellen dat de navolgende informatie evenals de geleverde veiligheidsinstructies (Code artikel: 8956200010) gelezen, begrepen en in acht genomen zijn.

<b>DA</b>	Dansk (Danish)  <b>ADVARSEL</b>
	Læs omhyggeligt, forstå og overhold disse instruktioner samt sikkerhedsforskrifterne (Varenummer: 8956200010), inden værktøjet tages i brug eller repareres.


<b>FI</b>	Suomi (Finnish)  <b>VAROITUS</b>
	Lue huolellisesti seuraavat ohjeet samoin kuin turvallisuusohjeet (Tuotekoodi: 8956200010) ennen työkalun käyttöönottoa.


<b>RU</b>	Русский (Russian)  <b>ПРЕДУПРЕЖДЕНИЕ</b>
	До использования или вмешательства на инструменте необходимо прочитать, усвоить и соблюдать нижеследующую информацию, а также указания, приведенные в пособии по технике безопасности (Артикулу товара : 8956200010).


<b>ZH</b>	中文 (Chinese)  <b>警告</b>
	为降低被伤害的风险，在使用或维修工具之前，请阅读并理解以下信息及单独提供的安全说明(项目号:8956200010)。


<b>EL</b>	ελληνικά (Greek)  <b>ΠΡΟΕΙΔΟΠΟΙΗΣΗ</b>
	Πριν από οποιαδήποτε χρήση ή επέμβαση στο εργαλείο, διαβάστε προσεκτικά, κατανοήστε και τηρήστε τις παρακάτω πληροφορίες, καθώς και τις οδηγίες που περιλαμβάνονται στο εγχειρίδιο ασφαλείας (Κωδικός προϊόντος: 8956200010).


# DO NOT DISCARD - GIVE TO USER


<b>HU</b>	magyar (Hungarian) <b>⚠ FIGYELEM</b>
	A szerszám használatá vagy bármilyen más beavatkozás előtt a felhasználónak el kell olvasnia, meg kell értenie és a használat vagy beavatkozás során be kell tartania a következő, valamint a biztonsági útmutatóban (cikkszám: 8956200010) szereplő utasításokat.

<b>LV</b>	latviešu (Latvian) <b>⚠ BĪDINĀJUMS</b>
	Lai mazinātu bīstamību, pirms apkopes instrumenta lietošanas jāizlasa un jāizprot turpmākā informācija, kā arī atsevišķi dotie drošības tehnikas noteikumi (precis numurs: 8956200010).


<b>PL</b>	polski (Polish) <b>⚠ OSTRZEŻENIE</b>
	Przed podjęciem użytkowania przyrządu czy jakichkolwiek działań z nim związanych – należy upewnić się, że instrukcje dostarczone razem z podręcznikiem d/s bezpieczeństwa (Kod urzędzenia: 8956200010) zostały przeczytane, zrozumiane i będą przestrzegane.


<b>CS</b>	čeština (Czech) <b>⚠ VAROVÁNÍ</b>
	Aby nedošlo ke zranění, seznámte se před použitím či údržbou nástroje s následujícími informacemi a zvláště dodávanými bezpečnostními pokyny (kat.č. 8956200010).


<b>SK</b>	slovenčina (Slovak) <b>⚠ VAROVANIE</b>
	Aby sa znížilo riziko poranenia, prečítajte si nasledujúce informácie, ako aj osobitne priložené bezpečnostné opatrenia (položka číslo 8956200010) a snažte sa im porozumieť.

<b>SL</b>	slovenščina (Slovenian) <b>⚠ OPOZORILO</b>
	Zaradi morebitnih poškodb, pred uporabo ali servisiranjem orodja, preberite in upoštevajte naslednje informacije, kakor tudi posebej priložena varnostna navodila (postavka št.: 8956200010).


<b>LT</b>	lietuvių (Lithuanian) <b>⚠ ĮSPĖJIMAS</b>
	Siekiant sumažinti sužeidimo pavojų, prieš naudodami arba taisydami įrankį perskaitykite ir įsidėmėkite toliau išdėstytą informaciją, o taip pat ir atskirai pateiktas saugos instrukcijas (dalies numeris: 8956200010).


<b>JA</b>	日本語 (Japanese) <b>⚠ 警告</b>
	負傷のリスクを減らすため、ツールのご使用またはサービス(点検・手入れ)の前に、下記 の情報と別添の安全のための指示(品番8956200010)をお読みになり、理解しておいていただくようお願いいたします。

<b>BG</b>	български (Bulgarian) <b>⚠ ПРЕДУПРЕЖДЕНИЕ</b>
	За да се избегне риска от наранявания, преди да пристъпите към работа с инструмента или към сервизното му обслужване, прочетете и разберете следната информация, както и отделно дадените инструкции за безопасност (Артикул №: 8956200010).

<b>HR</b>	Hrvatski (Croatian) <b>⚠ UPOZORENJE</b>
	Da bi se smanjio rizik od ozljede, prije upotrebe ili servisiranja alata, pročitajte i shvatite sljedeće informacije kao i odvojeno pružene sigurnosne upute (Broj stavke: 8956200010).

<b>RO</b>	limba (Romanian) <b>⚠ AVERTIZARE</b>
	În vederea reducerii riscului de accidentare, înainte de a folosi sau repara unealta, vă rugăm să citiți și să analizați următoarele informații, precum și instrucțiunile de siguranță suplimentare furnizate (Numărul produsului: 8956200010).

<b>TR</b>	Türkçe (Turkish) <b>⚠ UYARI</b>
	Yaralanma riskini azaltmak için, aracı kullanmadan ya da araca bakım yapmadan önce, aşağıdaki bilgilerin yanı sıra, ayrıca sağlanan güvenlik talimatlarını okuyun ve anlayın (Ürün numarası: 8956200010).

<b>KO</b>	한국어 (Korean) <b>⚠ 경고</b>
	부상 위험을 줄이기 위해 공구를 사용하거나 수리하기 전에 별도로 제공된 안전 지침 (항목 번호: 8956200010)과 다음 정보를 읽고 숙지해 주십시오.

## 1. Technical Data (See figure 1.)

Dimension	Weight	capacity	Air Pressure	A	B	C	F	E
Unit	[kg]	[kg]	[bar]	[mm]	[mm]	[mm]	[mm]	[mm]
CP86750	498	75000	7.5-8.5	1140	800	1840	245	800
CP86100	766	100000	7.5-8.5	1200	990	1830	300	787

Dimension	F1	F2	R(Stroke)	M	Voil	Pressure of hydraulic system	Sound pressure	Soundpower	Uncertainty K
Unit	[mm]	[mm]	[mm]	[mm]	[l]	[MPa]	[dB(A)]	[dB(A)]	
CP86750	170	884	250	260	4.5	59.92	75.4	91.1	4.8
CP86100	114	814	300	235	5.6	63.69	75.4	91.1	4.8

Static coefficient test: 1.5 / Dynamic Coefficient test: 1.25 .

All values are current as of the date of this publication. For the latest information please visit [www.cp.com](http://www.cp.com).

**Declaration of noise and vibration statement :** These declared values were obtained by laboratory type testing in accordance with the stated standards and are suitable for comparison with the declared values of other tools tested in accordance with the same standards. These declared values are not adequate for use in risk assessments and values measured in individual work places may be higher. The actual exposure values and risk of harm experienced by an individual user are unique and depend upon the way the user works, the workpiece and the workstation design, as well upon the exposure time and the physical condition of the user. We, CHICAGO PNEUMATIC TOOLS , cannot be held liable for the consequences of using the declared values, instead of values reflecting the actual exposure, in an individual risk assessment in a work place situation over which we have no control. This tool may cause hand-arm vibration syndrome if its use is not adequately managed. An EU guide to managing hand-arm vibration can be found at [www.pneurop.eu/uploads/documents/pdf/PN3-02-NV\\_Declaration\\_info\\_sheet\\_0111.pdf](http://www.pneurop.eu/uploads/documents/pdf/PN3-02-NV_Declaration_info_sheet_0111.pdf) We recommend a programme of health surveillance to detect early symptoms which may relate to noise or vibration exposure, so that management procedures can be modified to help prevent future impairment.

## 2. Machine type(s)

- The Units described here are operated manually and with Air-hydraulic support (optional), which apply pressure on parts for assembly or disassembly purposes.
- For good use of the press never exceed the maximum capacity and never apply more pressure than necessary.
- No other use permitted. For professional use only.
- Please also mind the product safety information!

## 3. Mounting instruction

Take off the bolts, washers from all parts before assembling.

- Before first operating the press, it is necessary to unpack, mount feet, the table and the pressure gauge. These operations can be performed in different positions, but never forget that this is the heavy elements that require the assistance of others or the use of mechanical means.
- The feet are fixed to the chassis using the screws provided, and the tables to the two B axes of Fig.02 which have previously been positioned on the outlets of the columns according to the chosen work height Fig.02. Attach the base section and support to left and right connecting plate using bolt ,washer, lock washer and nut.
- Move the pump assy, Fig.07 ( CP86750 ), Fig.09 ( CP86100 ),to the outside of the post, use bolt and washer which dismantled just now to twist tight on the right connecting plate .
- Positioning of the Manometer: The manometer should be positioned on the hydraulic unit, which is located on the upper part of the press Fig.06.Remove the metal cover, position the manometer, making sure that the O-ring seal which is inside the manometer casing remains at the bottom upon installation.
- Assemble oil hose :Fig.08 ( CP86750 ), Fig.10 ,Fig.11 ( CP86100 ).
- During moving the machine, please make sure to use the proper lifting equipment and follow the instructions as shows Fig.02.

**⚠ Caution** Working area of 1 m must be kept free both in front of and behind the machine while it is in operation so that it is always easily accessible.

Purge air from the hydraulic system:

- Open the release valve, by turning it in an anti-clockwise direction, and open air bleed vavle, Fig.07.
- Then pump the hydraulic unit several times. Then fully turn the release vavles in a clockwise direction. The hydraulic unit is ready for use.

## 4. Operation

**⚠ WARNING** Before the first use, please fix the machine to the floor by anchor bole. It must be ensured that the standing surface of the machine site is firm and horizontal, and that sufficient lighting is provided for.

**⚠ WARNING** To reduce risk of injury, read and understand separately provided safety instructions and safety information reported on the press Fig.16.

**⚠ WARNING** Following use of the press, keep the piston fully retracted.

**⚠ WARNING** Ensure table at proper position and lock the table by pins firmly. Place the V-block on table, Fig.02, then insert workpiece onto the V-block.

- The V-block must be used by pair, not by piece!
- Only one person is allowed to operate the press.

### 4.1 Operation Instruction for CP86750

- Close the release valves, Fig.07, by turning it clockwise until it is firmly closed.
- Pump the handle/foot pedal until serrated saddle nears workpiece.
- Align workpiece and ram to ensure center loading.
- Pump the handle/foot pedal to apply load onto workpiece (please see numeration in pressure gauge).
- When work is done, stop pumping handle/foot pedal, slowly and carefully remove load from workpiece by turning the release valve counterclockwise in small increments.(must turn with the small angle, the biggest is two circles Fig.15)
- Once ram has fully retracted, remove workpiece from table.



#### 4.2 Operation Instruction for CP86100

##### 4.2.1 Two ways of operation:

• Operate manually: Insert the handle tube (50) into the handle sockets. 2 handle sockets are provided. The upper one(P31) is for high pressure and low speed; and the lower one(P43) is for low pressure and faster speed. Fig.12.

• Operate by air: Depress the air foot valve(61, Fig.08)

##### 4.2.2 Piston's retraction and Extension

• 3 positions for the handle lever of selector valve: When it is in position 1, the piston rod is retracting; When it is in position 2, the piston rod is stopping moving; When it is in position 3, the piston rod is extending. Fig.13

##### 4.2.3 Operation

• Turn the handle lever (99) to position 3, then depress the air foot valve (P54), and the piston rod will extend quickly. Warning: NEVER operate manually (Manual Low Pressure) simultaneously.

• When the serrated saddle gets close to the work piece, change to manual operation.

• Adjust the position of work piece to make sure the work piece and piston rod are aligned properly.

• Start to press the work piece. Insert the handle tube into the high pressure socket (P31) and pump the handle tube, the piston rod extends slowly and press the work piece. Operator can press by air, or press by air and manually simultaneously.

• Release the pressure: turn the handle lever (99) to position 2, the pressure on the piston rod will release automatically.

• Retraction of piston rod: turn the handle lever (99) to position 1, operate by air or manual. NEVER operate manually (Manual Low Pressure) at the same time.

• When complete, disconnect the air hose from the compressor and clean the machine.

**⚠ WARNING** Do not exceed the working load limit / rated capacity of the dolly.

**⚠ WARNING** Make sure that the operator must wear protective cloth, gloves, safety helmet, shoes and ear protector during operating.

**⚠ WARNING** To avoid accidents, always be aware of any on-going work on the machine. Also, always stay focused on the job to be done.

**⚠ WARNING** The product and its accessories must not be modified.

## 5. Maintenance instruction

**⚠ Caution** Do not use damaged/deformed product. If abnormal noise or vibration occurs, stop use immediately, then inspect and ask manufacturer for help. It is recommended that this inspection be made by a manufacturer's or supplier's authorized repair facility.

**⚠ Caution** The greatest single cause of failure in hydraulic units is dirt. Keep the service jack clean and well lubricated to prevent foreign matter from entering the system. If the jack has been exposed to rain, snow, sand, or grit, it must be cleaned before it is used. Store the jack, with pistons completely retracted, in a well-protected area where it will not be exposed to corrosive vapors, abrasive dust, or any other harmful elements.

Periodically check the condition of the product.

Store the product in dry and non-corrosion environment.

Owners and/or operators should be aware that repair of this equipment may require specialized knowledge and facilities. It is recommended that an annual inspection of the product be made by a manufacturer's or supplier's authorized repair facility and that any defective parts, decals, or safety labels or signs be replaced with manufacturer's or supplier's specified parts. A list of authorized repair facilities is available from the manufacturer or supplier, please call them for help.

Any product that appears to be damaged in any way, is found to be worn, or operates abnormally SHALL BE REMOVED FROM SERVICE UNTIL REPAIRED. It is recommended that necessary repairs be made by a manufacturer's or supplier's authorized repair facility if repairs are permitted by the manufacturer or supplier.

Only attachments and/or adapters supplied by the manufacturer shall be used.

The design has been validated according to: ASME ASP-2010

## 7. Declaration of conformity

We : **CHICAGO PNEUMATIC Tool Co. LLC, 1815 Clubhouse Road, Rock Hill, SC 29730 - USA**

Declare that the product(s): **CP86750/CP86100** Serial: 00001 to 99999

Machine type(s): **Hydraulic press** Origin of the product: **China**

is in conformity with the requirements of the council Directives on the approximation of the laws of the Member States relating to: "Machinery"

**2006/42/EC (17/05/2006)**

applicable harmonised standard(s): **EN 13736 : 2003 + A1 : 2009**

Name and position of issuer: **Pascal Roussy (R&D Manager)**

Place & Date: **Saint-Herblain, 10/04/2020**



Technical file available from EU headquarter. Nicolas Lebreton R&D manager CP Technocenter 38, rue Bobby Sands - BP10273 44800 Saint Herblain - France

Original Instructions are in English. Other languages are a translation of the original instructions.

## Copyright 2020, Chicago Pneumatic Tools

All rights reserved. Any unauthorized use or copying of the contents or part thereof is prohibited. This applies in particular to trademarks, model denominations, part numbers and drawings. Use only authorized parts. Any damage or malfunction caused by the use of unauthorized parts is not covered by Warranty or Product Liability.

## 1. Technische Daten (Siehe Abbildungen 1.)

Abmessungen	Gewicht	Kapazität	Luftdruck	A	B	C	F	E
Einheit	[kg]	[kg]	[bar]	[mm]	[mm]	[mm]	[mm]	[mm]
CP86750	498	75000	7.5-8.5	1140	800	1840	245	800
CP86100	766	100000	7.5-8.5	1200	990	1830	300	787

Abmessungen	F1	F2	R(Hub)	M	Voil	Druck im Hydrauliksystem	Schalldruck	Schalleistung	Unsicherheit K
Einheit	[mm]	[mm]	[mm]	[mm]	[l]	[MPa]	[dB(A)]	[dB(A)]	
CP86750	170	884	250	260	4.5	59.92	75.4	91.1	4.8
CP86100	114	814	300	235	5.6	63.69	75.4	91.1	4.8

Statischer Prüfkoefizient: 1.5 / Dynamischer Prüfkoefizient: 1.25 .

Alle Werte aktuell zum Zeitpunkt dieser Veröffentlichung. Gehen Sie für die neuesten Informationen bitte zu [www.cp.com](http://www.cp.com).

**Geräuschemissions- und Vibrationsemissionserklärung** : Diese angegebenen Werte wurden durch Laboruntersuchungen entsprechend den angeführten Normen erhalten und sind für den Vergleich mit den angegebenen Werten anderer Werkzeuge geeignet, die entsprechend derselben Normen getestet wurden. Diese angegebenen Werte sind nicht für die Verwendung in Risikobeurteilungen geeignet, und an individuellen Arbeitsplätzen gemessene Werte können höher sein. Die tatsächlichen Expositionswerte und das Gefährdungsrisiko für individuelle Nutzer sind einzigartig und hängen von der Arbeitsweise des Nutzers, dem Werkstück, dem Aufbau des Arbeitsplatzes, der Expositionszeit und dem physischen Zustand des Nutzers ab. Wir, CHICAGO PNEUMATIC TOOLS, können nicht verantwortlich gehalten werden für die Konsequenzen aus der Verwendung der erklärten Werte in einer Risikobeurteilung für eine Arbeitsplatzsituation, über die wir nicht die Kontrolle haben, anstatt von Werten, welche die tatsächliche Exposition wiedergeben. Das Werkzeug kann ein Hand-Arm-Vibrationsyndrom verursachen, wenn es nicht angemessen genutzt wird. Eine EG-Richtlinie für die Handhabung von Hand-Arm-Vibration ist unter [www.pneurop.eu/uploads/documents/pdf/PN3-02-NV\\_Declaration\\_info\\_sheet\\_0111.pdf](http://www.pneurop.eu/uploads/documents/pdf/PN3-02-NV_Declaration_info_sheet_0111.pdf) zu finden. Wir empfehlen ein Programm der Gesundheitsüberwachung zur Erkennung frühzeitiger Symptome, die mit der Exposition von Lärm oder Vibrationen zusammenhängen können, damit die Handhabungsverfahren modifiziert werden können, um zukünftige Schädigungen zu vermeiden.

## 2. Typ(en)

- Die hier beschriebenen Geräte werden manuell und mit hydraulischer Luftunterstützung (optional) bedient, um auf Teile zur Montage oder Demontage Druck auszuüben.
- Für eine optimale Benutzung der Presse niemals die maximale Kapazität überschreiten und niemals mehr Druck als notwendig anwenden.
- Keine andere Verwendung zulässig. Nur für professionelle Verwendung.
- Beachten Sie bitte auch die Produktsicherheitsinformationen!

## 3. Montageanleitung

Nehmen Sie vor der Montage die Schrauben und Unterlegscheiben von allen Teilen ab.

- Vor der ersten Inbetriebnahme der Presse muss sie ausgepackt und die FüÙe, der Tisch und das Manometer montiert werden. Diese Maßnahmen können in unterschiedlichen Positionen ausgeführt werden, vergessen Sie dabei aber nie, dass dies schwere Teile sind, die Hilfestellung Dritter oder mechanische Hilfen erfordern.
- Die FüÙe werden mithilfe der mitgelieferten Schrauben am Gestell befestigt, und die Tische der zwei B-Achsen in Abb. 02, die vorher an den Außenseiten der Säulen entsprechend der gewünschten Arbeitshöhe platziert wurden. Abb. 02. Befestigen Sie den Fußteil und die Stütze links und rechts an der Verbindungsplatte mithilfe von Bolzen, Unterlegscheiben, Schraubensicherung und Mutter.
- Positionieren Sie die Pumpengruppe, siehe Abb. 07 (CP86750), Abb. 09 (CP86100), an der Seite der Presse und befestigen Sie sie mit den gerade demontierten Bolzen und Unterlegscheiben an der rechten Verbindungsplatte.
- Positionierung des Manometers: Das Manometer sollte an der Hydraulikeinheit angebracht werden, die sich im oberen Teil der Presse befindet, Abb.06. Entfernen Sie die Metallabdeckung und positionieren Sie das Manometer so, dass die O-Ring-Dichtung im Manometergehäuse bei der Installation unten bleibt.
- Ölschlauch montieren: Abb.08 ( CP86750 ), Abb.010 ,Abb.11 ( CP86100 ),
- Achten Sie beim Transport der Maschine darauf, dass das korrekte Hebegerät verwendet wird und folgen Sie den Anweisungen, wie in Abb. 02 gezeigt.

**⚠ Caution** Vor und hinter der Maschine muss für den Betrieb ein Arbeitsbereich von 1 m frei gehalten werden, damit die Maschine immer leicht zugänglich ist.

Entlüften Sie das Hydrauliksystem:

- Öffnen Sie das Ablassventil, indem Sie es im Gegenuhrzeigersinn drehen und das Entlüftungsventil öffnen, siehe Abb. 07.
- Lassen Sie dann die Hydraulikeinheit mehrmals pumpen. Schließen Sie dann die Ablassventile vollständig im Uhrzeigersinn. Die Hydraulikeinheit ist jetzt betriebsbereit.

## 4. Bedienung

**⚠ WARNING** Befestigen Sie bitte die Maschine vor der ersten Inbetriebnahme durch einen Ankerbolzen am Boden. Es muss gewährleistet sein, dass die Standfläche der Maschine tragfähig und horizontal ist und dass eine ausreichende Beleuchtung vorhanden ist.

**⚠ WARNING** Lesen Sie die Sicherheitsanweisungen sorgfältig durch sowie die Sicherheitsinformationen an der Presse, siehe Abb. 16, bevor Sie sie in Betrieb nehmen, um die Verletzungsgefahr zu senken.

**⚠ WARNING** Nach dem Betrieb der Presse muss der Kolben vollständig eingezogen sein.

**⚠ WARNING** Achten Sie darauf, dass sich der Tisch in der korrekten Position befindet und blockieren Sie ihn durch Stifte. Platzieren Sie den V-Block auf dem Tisch, siehe Abb. 02, und legen Sie dann das Werkstück in den V-Block ein.

- Der V-Block muss paarweise, nicht einzeln, verwendet werden!
- Nur eine Person darf die Presse betreiben.

### 4.1 Bedienungsanleitung für CP86750

- Schließen Sie die Ablassventile, siehe Abb. 02, indem Sie sie im Uhrzeigersinn drehen, bis sie fest geschlossen sind. Bei der Werkstattpresse WP100P ist nur ein (1) Ventil vorhanden.
- Drücken Sie den Griff bzw. das Fußpedal mehrmals, bis der gezahnte Sattel sich dem Werkstück nähert.
- Richten Sie das Werkstück am Druckkolben aus, um eine mittige Lagerung sicherzustellen.
- Drücken Sie den Griff bzw. das Fußpedal mehrmals, um einen Druck auf das Werkstück auszuüben (siehe Skala am Manometer).
- Drücken Sie den Griff bzw. das Fußpedal nach Fertigstellung der Arbeit nicht mehr und senken Sie den Druck auf das Werkstück langsam und vorsichtig, indem Sie das Ablassventil in kleinen Schritten im Gegenuhrzeigersinn drehen (mit kleinem Winkel drehen, maximal 2 Umdrehungen, siehe Abb. 15).
- Wenn der Druckkolben vollständig eingezogen ist, entfernen Sie das Werkstück vom Tisch.

## 4.2 Bedienungsanleitung für CP86100

## 4.2.1 Zwei Betriebsarten:

- Manueller Betrieb: Führen Sie das Griffrohr (50) in die Griffüllen ein. Es werden 2 Griffüllen geliefert. Die obere Griffülle (31) ist für Hochdruck und niedrige Geschwindigkeit; die untere Griffülle (43) ist für Niederdruck und eine höhere Geschwindigkeit. Abb. 12.
- Luftbetrieb: Druckentlasten Sie das Bodenluftventil (61, Abb. 08)

## 4.2.2 Einzug und Ausdehnung des Kolbens

- 3 Positionen für den Handhebel des Schaltventils: Wenn er in Position 1 ist, wird die Kolbenstange eingezogen. Wenn er in Position 2 ist, Stopp der Bewegung. Wenn er in Position 3 ist, Ausdehnung. Abb. 13.

## 4.2.3 Bedienung

- Drehen Sie den Griffhebel in Position 3, dann druckentlasten Sie das Bodenluftventil und die Kolbenstange dehnt sich schnell aus. Warnung: Betreiben Sie manuell (Manueller Niederdruck) NIEMALS simultan.
- Wenn der gezahnte Sattel in die Nähe des Werkstücks kommt, wechseln Sie zu manuellem Betrieb.
- Justieren Sie die Position des Werkstücks, um sicherzustellen, dass das Werkstück und die Kolbenstange ordnungsgemäß ausgerichtet sind.
- Beginnen Sie mit dem Pressen des Werkstücks. Führen Sie das Griffrohr in die Hochdrucktülle (P31) ein und pumpen Sie das Griffrohr auf, die Kolbenstange dehnt sich langsam aus und presst das Werkstück. Der Bediener kann mit Luft oder simultan mit Luft und manuell pressen.
- Lassen Sie den Druck ab: Drehen Sie den Griffhebel in Position 2, Der Druck an der Kolbenstange wird automatisch entlastet.
- Zurückziehen der Kolbenstange: Drehen Sie den Griffhebel in Position 1, und Betrieb von Luft oder manuell. Warnung: Betreiben Sie manuell (Manueller Niederdruck) NIEMALS simultan.
- Wenn Sie fertig sind, ziehen Sie den Luftschlauch vom Kompressor und reinigen Sie die Maschine.

**⚠ WARNING** Überschreiten Sie nicht die Höchstlast / Soll-Kapazität des Radhandwagens.

**⚠ WARNING** Stellen Sie sicher, dass der Bediener Schutzkleidung, Handschuhe, Helm, Sicherheitsschuhe und Ohrschützer während des Betriebs trägt.

**⚠ WARNING** Achten Sie zur Unfallvermeidung immer auf laufende Arbeiten an der Maschine. Konzentrieren Sie sich immer auf die aktuelle Arbeit.

**⚠ WARNING** Das Produkt und seine Zubehörteile dürfen nicht modifiziert werden.

## 5. Wartungsanweisungen

**⚠ Caution** Verwenden Sie keine beschädigten/deformierten Produkte. Falls ungewöhnliche Geräusche oder Vibrationen auftreten, beenden Sie sofort die Nutzung. Führen Sie dann eine Überprüfung durch und bitten Sie den Hersteller um Hilfe. Es wird empfohlen, dass diese Überprüfung durch eine vom Hersteller oder Lieferanten autorisierte Reparaturwerkstatt erfolgt.

**⚠ Caution** Die häufigste einzelne Ursache für Ausfälle in Hydraulikaggregaten ist Schmutz. Halten Sie den Hubwagen sauber und gut geschmiert, damit keine Fremdkörper in das System eindringen können. Wenn der Hubwagen Regen, Schnee, Sand oder Splitt ausgesetzt war, muss er vor der nächsten Verwendung gereinigt werden.

Lagern Sie den Hubwagen mit vollständig eingefahrenen Kolben in einem gut geschützten Bereich, wo er keinen ätzenden Dämpfen, Schleifstaub oder anderen schädlichen Elementen ausgesetzt ist.

Überprüfen Sie in regelmäßigen Abständen den Zustand des Produkts.

Lagern Sie das Produkt an einem trockenen und nicht korrosiven Umgebung.

Eigentümer und/oder Bediener sollten sich bewusst sein, dass die Reparatur dieser Geräte möglicherweise spezielles Fachwissen und eine spezielle Ausrüstung erfordern. Es wird empfohlen, dass eine jährliche Überprüfung des Produkts durch eine vom Hersteller oder Lieferanten autorisierte Reparaturwerkstatt durchgeführt wird und dass alle defekten Teile, Schilder, Sicherheitsetiketten oder Zeichen durch die vom Hersteller oder Lieferanten angegebenen Teile ersetzt werden. Eine Liste der autorisierten Reparaturwerkstätten ist beim Hersteller oder Lieferanten erhältlich, rufen Sie sie hierzu an.

Jedes Produkt, das in irgendeiner Weise beschädigt oder verschlissen zu sein scheint oder nicht normal funktioniert, DARF NICHT WEITER

VERWENDET WERDEN, BIS ES REPARIERT IST. Es wird empfohlen, dass die notwendigen Reparaturen durch eine vom Hersteller oder Lieferanten autorisierte Reparaturwerkstatt erfolgt, falls Reparaturen vom Hersteller oder Lieferanten erlaubt werden.

Nur vom Hersteller geliefertes Zubehör bzw. Adapter dürfen verwendet werden.

Das Design wurde nach validierten: ASME ASP-2010

## 7. EG-KONFORMITÄTSERKLÄRUNG

Wir: **CHICAGO PNEUMATIC Tool Co. LLC, 1815 Clubhouse Road, Rock Hill, SC 29730 - USA**

Erklären hiermit, dass das (die) Produkt(e): **CP86750/CP86100** Seriennr: 00001 bis 99999

Typ(en): **Hydraulische Presse** Produktherkunft: **China**

den Anforderungen der EG-Richtlinie zur Angleichung der Rechtsvorschriften der Mitgliedstaaten entspricht: für "Maschinen" **2006/42/EC (17/05/2006)**

Geltende harmonisierte Norme(n): **EN 13736 : 2003 + A1 : 2009**

Name und Position des Ausstellers: **Pascal Roussy (R&D Manager)**



Ort und Datum: **Saint-Herblain, 10/04/2020**

Technische Datei bei EU-Hauptbüro erhältlich. Nicolas Lebreton R&D manager CP Technocenter 38, rue Bobby Sands - BP10273 44800 Saint Herblain - France

Originalanweisungen in Englisch. Andere Sprachen sind eine Übersetzung der ursprünglichen Anweisungen.

## Copyright 2020, Chicago Pneumatic Tools

Alle Rechte vorbehalten. Jede nicht ausdrücklich genehmigte Verwendung oder Vervielfältigung des Inhalts, ob ganz oder auszugsweise, ist untersagt. Dies gilt insbesondere auch für Handelsmarken, Modellbezeichnungen, Teilenummern und Zeichnungen. Nur vom Hersteller zugelassene Ersatzteile benutzen! Schäden oder Funktionsstörungen, die durch die Verwendung nicht autorisierter Teile verursacht wird, wird von der Garantie oder Produkthaftung nicht abgedeckt.



1. Données techniques (Voir figure 1.)

Dimensions	Poids	Capacité	Pression De L'Air	A	B	C	F	E
Unité	[kg]	[kg]	[bar]	[mm]	[mm]	[mm]	[mm]	[mm]
CP86750	498	75000	7.5-8.5	1140	800	1840	245	800
CP86100	766	100000	7.5-8.5	1200	990	1830	300	787

Dimensions	F1	F2	R(Course)	M	Voil	Pression du système hydraulique	Pression acoustique	Puissance acoustique	Incertitude K
Unité	[mm]	[mm]	[mm]	[mm]	[l]	[MPa]	[dB(A)]	[dB(A)]	
CP86750	170	884	250	260	4.5	59.92	75.4	91.1	4.8
CP86100	114	814	300	235	5.6	63.69	75.4	91.1	4.8

Coefficient de test statique: 1.5 / Coefficient de test dynamique: 1.25 .

Toutes les valeurs sont justes à la date de cette publication. Pour obtenir les dernières informations, veuillez consulter [www.cp.com](http://www.cp.com).

**Déclaration de niveau sonore et émissions de vibration :** Les valeurs indiquées ont été mesurées lors d'essais en laboratoire, dans le respect des normes indiquées et elles correspondent aux valeurs déclarées des autres outils testés selon les mêmes normes. Ces valeurs indiquées ne conviennent pas à l'évaluation des risques et il est possible que les valeurs mesurées aux postes de travail individuels soient plus élevées. Les valeurs d'exposition réelles et les risques encourus par les utilisateurs individuels sont uniques et dépendent de la manière selon laquelle l'utilisateur travaille, de la pièce à usiner et de la conception du banc de travail, ainsi que du temps d'exposition et de la condition physique de l'utilisateur. Nous, CHICAGO PNEUMATIC TOOLS, ne pouvons pas être tenus responsables des conséquences de l'utilisation de valeurs déclarées, plutôt que les valeurs reflétant l'exposition effective, dans une évaluation des risques individuelle sur le lieu de travail pour lequel nous n'avons aucun contrôle. Cet outil peut provoquer un syndrome de vibrations transmise aux mains-bras s'il n'est pas manipulé de manière adéquate. Un guide de l'UE pour gérer les vibrations sur les mains se trouve sur [www.pneurop.eu/uploads/documents/pdf/PN3-02-NV\\_Declaration\\_info\\_sheet\\_0111.pdf](http://www.pneurop.eu/uploads/documents/pdf/PN3-02-NV_Declaration_info_sheet_0111.pdf) Nous recommandons un programme de surveillance sanitaire pour détecter les symptômes précoces pouvant être liés à l'exposition au bruit ou aux vibrations, pour que la procédure de gestion puisse être modifiée afin d'empêcher les infirmités.

2. Type(s) de machine

- Les appareils décrits ici sont à operation manuellement et à support aérohydraulique (en option), qui exerce une pression sur les pièces pour le montage ou le démontage.
- Pour une utilisation correcte de la presse, la capacité maximum ne doit jamais être dépassée et il ne faut jamais appliquer plus de pression que nécessaire.
- Aucune autre utilisation n'est autorisée. Réservez à un usage professionnel.
- Veuillez tenir compte des informations de sécurité du produit !

3. Instructions de montage

Retirer les boulons et les rondelles de toutes les pièces avant d'assembler.

- Avant la première utilisation de la presse, il est nécessaire de déballer celle-ci, d'installer les pieds, la table et la jauge de pression. Ces opérations peuvent être accomplies dans différentes positions, mais n'oubliez jamais qu'il s'agit d'un élément lourd et que vous aurez besoin d'obtenir de l'aide, ou d'utiliser des systèmes auxiliaires.
- Les pieds sont fixés au châssis à l'aide de vis incluses et la table aux deux axes B de la Fig.02 qui ont été préalablement positionnés sur les sorties de colonnes en fonction de la hauteur de travail choisie Fig.02. Fixez la section de base et le support à la plaque de connexion de droite et de gauche à l'aide de boulons, de rondelles, de rondelles frein et d'écrous
- Déplacez le groupe de pompe, Fig.07 ( CP86750 ), Fig.09 ( CP86100 ), vers l'extérieur du poste, utilisez le boulon et la rondelle que vous venez de démonter pour visser sur la plaque de connexion de droite.
- Positionnement du manomètre : Le manomètre doit être positionné sur l'unité hydraulique, qui est située sur la partie supérieure de la presse Fig.06. Retirez le couvercle métallique, positionnez le manomètre, en vous assurant que le joint torique qui se trouve à l'intérieur du carter du manomètre demeure en place lors de l'installation.
- Monter le tuyau d'huile: Fig.08 ( CP86750 ), Fig.10 ,Fig.11 ( CP86100 ).
- Pendant le déplacement de la machine, assurez-vous que vous utilisez l'équipement de levage adéquat et que vous suivez les instructions comme indiqué sur la Fig.02

**⚠ Caution** Une zone de travail d'1 m doit rester libre, à la fois à l'avant et à l'arrière de la machine lorsqu'elle est en fonctionnement, afin que celle-ci soit toujours accessible.

Purger l'air du circuit hydraulique:

- Ouvrez la vanne de décharge en la faisant tourner dans le sens inverse des aiguilles d'une montre et ouvrez la soupape de purge d'air, Fig.07.
- Pompez ensuite plusieurs fois le groupe hydraulique. Tournez ensuite pleinement les vannes de décharge dans le sens des aiguilles d'une montre. Legroupe hydraulique est prêt à l'usage.

4. Utilisation

**⚠ WARNING** Avant la première utilisation, veuillez fixer la machine au sol à l'aide d'un boulon d'ancrage. Vous devez vous assurer que la surface où la machine est posée est ferme et horizontale et que la zone est suffisamment éclairée.

**⚠ WARNING** Pour réduire les risques de blessure, lisez et comprenez les deux manuels d'instruction livrés séparément, de même que les consignes de sécurité inscrites sur la presse Fig.16

**⚠ WARNING** Après l'utilisation de la presse, conservez le piston pleinement rétracté

**⚠ WARNING** Assurez-vous que la table est à la bonne position et bloquez-la avec fermement à l'aide des clavettes. Placez le bloc en V sur la table, Fig. 02, puis insérez la pièce de travail sur le bloc en V.

- Le bloc en V doit être utilisé par paire, pas par pièce !
- Seule une personne est autorisée à utiliser la presse.

4.1 Opération Instruction pour CP86750

- Fermez les vannes de décharge, Fig.07 en les faisant tourner dans le sens des aiguilles d'une montre jusqu'à ce qu'elles soient fermées.
- Pompez à la poignée/pédale jusqu'à ce que la pièce crantée soit proche de la pièce de travail.
- Alignez la pièce de travail et le vérin pour être sûr du centrage.
- Pompez à la poignée/pédale afin d'appliquer la charge sur la pièce de travail (veuillez observer la pression sur la jauge).
- Lorsque le travail est terminé, cessez de pomper à la poignée/pédale, lentement et avec précaution, retirez la charge de la pièce de travail en faisant tourner la vanne de décharge dans le sens inverse des aiguilles d'une montre par petits incréments (tourner par petits angles, le plus grand est de deux tours.Fig. 15)
- Une fois que le vérin est pleinement rétracté, retirez la pièce de travail de la table.

#### 4.2 Opération Instruction pour CP86100

##### 4.2.1 modes de fonctionnement :

• Mode manuel : Insérer la poignée (50) dans les raccords de poignée. 2 raccords de poignée sont prévus. Celui du haut (31) est adapté pour une pression élevée et une vitesse lente ; celui du bas (43) est adapté pour une pression faible et une vitesse rapide. Fig. 12.

• Mode pneumatique : Enfoncer la pédale (61, Fig. 08)

##### 4.2.2 Rentrée et sortie du piston

• 3 positions pour le levier du sélecteur : En position 1, la tige du piston rentre. En position 2, arrêt du mouvement. En position 3, sortie. Fig. 13.

##### 4.2.3 Utilisation

- Placer le levier en position 3, enfoncer ensuite la pédale et la tige du piston sort rapidement. Attention : NE JAMAIS actionner simultanément en mode manuel (Pression faible de mode manuel).
- Quand le socle entaillé est proche de la pièce à usiner, passer en mode manuel.
- Positionner la pièce de façon à ce qu'elle soit bien alignée avec la tige du piston.
- Commencer le pressage de la pièce. Insérer la poignée dans le raccord de pression élevée (P31) et faire des mouvements de pompe : la tige du piston sort lentement et presse la pièce. L'opérateur peut choisir la commande pneumatique ou à la fois la commande manuelle et pneumatique.
- Relâcher la pression : Placer le levier en position 2, la tige du piston se libère automatiquement.
- La rétraction de la tige de piston : Placer le levier en position 1, fonctionner par voie aérienne ou manuelle. Attention : NE JAMAIS actionner simultanément en mode manuel (Pression faible de mode manuel).
- Lorsque vous avez terminé, débranchez le tuyau d'air du compresseur et nettoyez la machine.

**⚠ WARNING** Ne dépassez pas la limite de charge de travail/la capacité indiquée pour le chariot.

**⚠ WARNING** S'assurer que l'opérateur porte une combinaison, des gants de protection, un casque de sécurité, des chaussures de sécurité et une protection auditive pendant utilisation.

**⚠ WARNING** Afin d'éviter des accidents, observez toujours avec vigilance ce qui se passe avec la machine. Restez également toujours concentré sur le travail à faire.

**⚠ WARNING** Ce produit et ses accessoires ne doivent pas être modifiés.

## 5. Maintenance

**⚠ Caution** Ne pas utiliser un produit s'il est endommagé ou déformé. En cas de bruit ou vibration anormaux, arrêter immédiatement l'utilisation, puis inspecter et demander de l'assistance au fabricant. Il est recommandé de confier cette inspection à un réparateur agréé du fabricant ou du revendeur.

**⚠ Caution** La cause unique majeure de défaillance des unités hydrauliques est la saleté. Garder le cric propre et bien lubrifié afin d'éviter que des matières étrangères n'entrent dans le système. Si le cric a été exposé à la pluie, à la neige, au sable ou à des gravillons, il doit être nettoyé avant d'être utilisé.

Entreposer le cric, avec les pistons complètement rétractés, dans un endroit bien protégé où il ne sera pas exposé à des vapeurs corrosives, de la poussière abrasive ni d'autres éléments nuisibles.

Vérifier périodiquement l'état du produit.

Ranger le produit dans un local sec et non corrosif.

Les propriétaires et/ou les opérateurs doivent être conscients que la réparation de cet équipement peut nécessiter des connaissances et installations spécialisées. Il est recommandé de confier l'inspection annuelle du produit à un réparateur agréé du fabricant ou du revendeur et de remplacer toutes les pièces défectueuses, autocollants, étiquettes de sécurité ou symbole de sécurité par des pièces spécifiées par le fabricant ou le revendeur. Pour obtenir une liste des réparateurs agréés, appelez le fabricant ou le revendeur.

Tout produit semblant endommagé de quelque manière que ce soit, s'avérant usé ou présentant des dysfonctionnements DOIT ÊTRE MIS HORS SERVICE JUSQU'À CE QU'IL SOIT RÉPARÉ. Il est recommandé de confier les réparations nécessaires à un réparateur agréé du fabricant ou du revendeur, si les réparations sont permises par le fabricant ou le revendeur.

Utiliser uniquement les accessoires et/ou adaptateurs fournis par le fabricant.

La conception a été validée selon: ASME ASP-2010

## 7. Déclaration de conformité CE

Nous : CHICAGO PNEUMATIC Tool Co. LLC, 1815 Clubhouse Road, Rock Hill, SC 29730 - USA

Déclarons que les produits: CP86750/CP86100 Série: 00001 à 99999

Type(s) de machine: Presse hydraulique Origine du produit: Chine

est conforme aux exigences de la directive „Machines“ du conseil concernant la législation des États membres 2006/42/EC (17/05/2006)

Norme(s) harmonisée(s) applicable(s) : EN 13736 : 2003 + A1 : 2009

Nom et fonction de l'émetteur: Pascal Roussy (R&D Manager)



Lieu et date: Saint-Herblain, 10/04/2020

Dossier technique disponible auprès du siège social européen. Nicolas Lebreton R&D manager CP Technocenter 38, rue Bobby Sands - BP10273 44800 Saint Herblain - France

Les Instructions originales sont en anglais. Les autres langues sont des traductions des instructions originales

## Copyright 2020, Chicago Pneumatic Tools

Tous droits réservés. Toute utilisation ou reproduction non autorisée du contenu ou d'une partie du contenu est interdite. Cette restriction s'applique en particulier aux marques de commerce, dénominations de modèle, numéros de pièces et plans. N'utiliser que des pièces homologuées. Aucun dégat ou défaut de fonctionnement résultant de l'utilisation de pièces non homologuées n'est couvert par la garantie ou la responsabilité de produits.

## 1. Datos técnicos (véanse los gráficos 1.)

Dimensiones	Peso	capacidad	Presión Del Aire	A	B	C	F	E
Unidad	[kg]	[kg]	[bar]	[mm]	[mm]	[mm]	[mm]	[mm]
CP86750	498	75000	7.5-8.5	1140	800	1840	245	800
CP86100	766	100000	7.5-8.5	1200	990	1830	300	787

Dimensiones	F1	F2	R(Carrera)	M	Voil	Presión del sistema hidráulico	Presión sonora	Potencia sonora	Incertidumbre K
Unidad	[mm]	[mm]	[mm]	[mm]	[l]	[MPa]	[dB(A)]	[dB(A)]	
CP86750	170	884	250	260	4.5	59.92	75.4	91.1	4.8
CP86100	114	814	300	235	5.6	63.69	75.4	91.1	4.8

Coefficiente de pruebas estáticas: 1.5 / Coeficiente de pruebas dinámicas: 1.25 .

Todos los valores son correctos en el momento de la publicación. Para obtener la información más reciente, visite [www.cp.com](http://www.cp.com).

**Declaración de emisiones sonoras y de vibraciones :** Estos valores declarados se obtuvieron en pruebas de laboratorio en cumplimiento con las normas establecidas y son adecuados para compararse con los valores declarados de otras herramientas comprobadas según los mismos estándares. No son adecuados para utilizarse en evaluaciones de riesgos. Los valores medidos en lugares de trabajo individuales podrían ser más altos que los valores declarados. Los valores de exposición reales y el riesgo de daños experimentado por un usuario individual son únicos y dependen del hábito de trabajo del usuario, la pieza en la que se está trabajando y el diseño de la estación de trabajo, además del tiempo de exposición y las condiciones físicas del usuario. Nosotros, CHICAGO PNEUMATIC TOOLS, no podemos aceptar responsabilidad por las consecuencias de utilizar los valores declarados en lugar de los valores que reflejen la exposición real en una evaluación de riesgo individual y en una situación de lugar de trabajo sobre los que no tenemos ningún control. Esta herramienta puede provocar síndrome de vibración en brazo y mano si no se gestiona adecuadamente su utilización. Encontrará una guía de la UE respecto a la gestión de vibraciones transmitidas al sistema mano-brazo en [www.pneurop.eu/uploads/documents/pdf/PN3-02-NV\\_Declaration\\_info\\_sheet\\_0111.pdf](http://www.pneurop.eu/uploads/documents/pdf/PN3-02-NV_Declaration_info_sheet_0111.pdf) Se recomienda mantener un programa de control sanitario de detección precoz de los síntomas relacionados con la exposición a vibraciones y ruidos, con objeto de modificar los procedimientos de gestión y así evitar posibles discapacidades.

## 2. Tipo(s) de máquina

- Las unidades descritas aquí funcionan manualmente y con soporte hidráulico de aire (opcional), que aplica presión a las piezas para montar y desmontar.
- Para un buen uso de la prensa no debe superar nunca la capacidad máxima ni aplicar nunca más presión de la necesaria.
- No se permite ningún otro uso. Solo para uso profesional.
- Tenga en cuenta también la información de seguridad del producto.

## 3. Instrucciones de montaje

Quítese los pernos y las arandelas de todas las piezas antes de ensamblar.

- Antes de utilizar la prensa por primera vez, será necesario desempaquetarla y montar las patas, la mesa y el indicador de presión. Estas operaciones se pueden realizar en diferentes posiciones, pero no olvide nunca que estos elementos son pesados y será necesaria la asistencia de otras personas o el uso de otros medios mecánicos.
- Las patas se unen al chasis con los tornillos proporcionados y las tablas a los dos ejes B de la Fig.02, que se han colocado previamente en la parte exterior de las columnas, según la altura de trabajo seleccionada, Fig.02. Acople la sección de la base y sujete las placas de conexión de la derecha y la izquierda con un perno, una arandela, una arandela de retención y una tuerca
- Desplace el montaje de la bomba, Fig.07 ( CP86750 ), Fig.09 ( CP86100 ), hacia la parte exterior del poste, y utilice el perno y la arandela para con fijarla firmemente a placa de conexión apropiada.
- Colocación del manómetro El manómetro se debe colocar sobre la unidad hidráulica, que está situada en la parte superior de la prensa Fig.06. Retire la tapa metálica, coloque el manómetro, asegúrese de que el sello de la junta tórica, que se encuentra dentro de la carcasa del manómetro, permanece en la parte inferior tras la instalación.
- Montar la manquera de aceite: Fig.08 ( CP86750 ), Fig.10 ,Fig.11 ( CP86100 ).
- Durante el desplazamiento de la máquina, asegúrese de utilizar el equipo de elevación apropiado y siga las instrucciones tal y como se muestran en la Fig.02.

**⚠ Caution** Se necesita mantener despejada una zona de trabajo de 1 m tanto en la parte anterior como en la parte posterior de la máquina, mientras esté en funcionamiento, de manera que se pueda acceder siempre con facilidad.

Purgue el aire en el sistema hidráulico:

- Abra la válvula de alivio girándola en sentido anti horario, y abra la válvula de sangrado de aire, Fig.07.
- A continuación bombee la unidad hidráulica numerosas veces. Seguidamente gire las válvulas de alivio completamente en sentido horario. La unidad hidráulica está ahora lista para ser utilizada.

## 4. Funcionamiento

**⚠ WARNING** Antes de utilizar la prensa por primera vez, fije la máquina al suelo con un perno de anclaje. Debe asegurarse de que la superficie del lugar donde se encuentra la máquina es firme y horizontal, y que se proporciona una iluminación suficiente.

**⚠ WARNING** Para reducir el riesgo de accidentes, lea y comprenda las instrucciones de seguridad que se proporcionan por separado y la información de seguridad indicada en la prensa Fig.16.

**⚠ WARNING** Después de utilizar la prensa, mantenga el pistón completamente retraído.

**⚠ WARNING** Asegúrese de que la mesa esté en la posición correcta y bloquéela firmemente con los pasadores. Coloque el bloque en V sobre la mesa, Fig.02, a continuación introduzca la pieza de trabajo en el mismo.

- El bloque en V se debe utilizar en pares, no por pieza.
- Solamente puede utilizar la prensa una sola persona.

### 4.1 Instrucción de la operación para CP86750

- Cierre las válvulas de alivio, Fig.07, girándolas en sentido horario hasta que estén firmemente cerradas.
- Bombée con el pedal/manivela hasta que la mordaza dentada se acerque a la pieza de trabajo.
- Alinee la pieza de trabajo y el martinete para asegurar que la carga esté centrada.
- Bombée con el pedal/manivela para aplicar la carga sobre la pieza de trabajo (compruebe la numeración en el indicador de presión).
- Cuando haya finalizado el trabajo, deje de bombear el pedal/manivela, lentamente y con cuidado retire la carga de la pieza de trabajo, girando la válvula de alivio en sentido anti horario a pequeños intervalos. (se debe girar un ángulo pequeño, un ángulo grande será excesivo, Fig. 15)
- Cuando el martinete se haya retraído completamente, retire la pieza de trabajo de la mesa.

#### 4.2 Instrucción de la operación para CP86100

##### 4.2.1 Dos métodos de funcionamiento:

• Funcionamiento manual: Inserte el tubo del mango (50) en los soportes del mango. Se incluyen 2 soportes de mango. El superior (31) es para la presión alta y velocidad baja; el inferior (50) es de presión baja y velocidad rápida. Fig. 12.

• Utilización con aire: Presione la válvula de pie de aire (61, Fig. 08)

##### 4.2.2 Retracción y extensión del pistón

• 3 posiciones de la palanca de la válvula selectora: Cuando está en la posición 1, el vástago del pistón se retrae. Cuando está en la posición 2, deja de moverse. Cuando está en la posición 3, se extiende. Fig. 13.

##### 4.2.3 Funcionamiento

• Gire la palanca hasta la posición 3, a continuación, presione la válvula de pie de aire, y el vástago del pistón se extenderá rápidamente. Advertencia: NUNCA use la opción manual (Baja presión manual) simultáneamente.

• Cuando la pieza dentada se acerque a la pieza de trabajo, cambie al modo manual.

• Ajuste la posición de la pieza de trabajo para asegurarse de que la pieza de trabajo y el vástago están correctamente alineados.

• Comience a presionar la pieza de trabajo. Inserte el tubo en la toma de alta presión (P31) y la bombée, el vástago se extiende lentamente y presiona la pieza de trabajo. El Operario puede presionar por aire, o por aire y manualmente al mismo tiempo.

• Descargue la presión: Gire la palanca hasta la posición 2, la presión sobre el vástago del pistón se liberará automáticamente.

• La retracción del vástago de pistón: Gire la palanca hasta la posición 1, y operar por vía aérea o manual. Advertencia: NUNCA use la opción manual (Baja presión manual) simultáneamente.

• Cuando se haya completado, desconecte la manguera de aire del compresor y limpiar la máquina.



No exceda el límite de carga de trabajo/capacidad nominal de la plataforma.



Asegúrese de que el operador utiliza prendas de protección, guantes, casco de seguridad, zapatos y protector auditivo mientras utiliza la unidad.



Para evitar accidentes, esté siempre pendiente de cualquier trabajo en curso en la máquina. Además, mantenga siempre la concentración en el trabajo que está realizando.



Este producto y sus accesorios no deberán ser modificados.

## 5. Instrucciones de mantenimiento



No utilice el producto en caso de que esté dañado/deformado. Si detecta ruidos o vibraciones anormales, detenga el uso inmediatamente, inspeccione el producto y pida asistencia al fabricante. Se recomienda llevar el producto a revisar al fabricante o a un centro de reparaciones autorizado del fabricante.



La mayor causa de fallos en las unidades hidráulicas es la suciedad. Mantenga el gato de servicio limpio y bien lubricado para evitar que entre material extraño en el sistema. Si el gato ha sido expuesto a lluvia, nieve, arena o gravilla, debe de limpiarlo antes de usarlo.

Guarde el gato, con pistones totalmente retraídos, en un área bien protegida donde no esté expuesto a vapores corrosivos, polvo abrasivo o cualquier otro elemento dañino.

Compruebe el estado del producto periódicamente.

Almacene el producto en lugar seco y libre de corrosión.

Los propietarios y/o los operadores deben ser conscientes de que la reparación de este equipo puede requerir conocimientos e instalaciones especializados. Se recomienda una inspección anual del producto en un centro de reparación autorizado del proveedor o fabricante y que cualquier pieza defectuosa, dañada, o cualquier etiqueta o señal borrada o despegada sean sustituidas por piezas específicas suministradas por el fabricante o el proveedor. El proveedor o fabricante le proporcionarán una lista de centros de reparación autorizados, consulte para que le proporcionen la información necesaria.

Cualquier producto que presente cualquier tipo de daño, desgaste o no funcione correctamente DEBE SER RETIRADO DEL SERVICIO HASTA QUE HAYA SIDO COMPLETAMENTE REPARADO. Se recomienda que cualquier reparación necesaria se realice en un centro de reparaciones aprobado por el fabricante o el proveedor, en caso de que dicha reparación haya sido autorizada por el fabricante o proveedor.

Se deben utilizar únicamente accesorios y/o adaptadores suministrados por el fabricante.

El diseño ha sido validado de acuerdo: ASME ASP-2010

## 7. Declaración de conformidad

Nosotros: **CHICAGO PNEUMATIC Tool Co. LLC, 1815 Clubhouse Road, Rock Hill, SC 29730 - USA**

Declaramos que el producto: **CP86750/CP86100** Serie: de 00001 a 99999

Tipo(s) de máquina: **Prensa hidráulica** Origen del producto: **China**

es conforme a los requisitos de la Directiva del Consejo sobre la aproximación de las leyes de los Estados Miembros con relación : a la „maquinaria“ **2006/42/EC (17/05/2006)**

normas armonizadas aplicadas: **EN 13736 : 2003 + A1 : 2009**

Nombre y cargo del expedidor: **Pascal Roussy (R&D Manager)**

Lugar y fecha: **Saint-Herblain, 10/04/2020**



Ficha técnica disponible en las oficinas centrales de la UE. Nicolas Lebreton R&D manager CP Technocenter 38, rue Bobby Sands - BP10273 44800 Saint Herblain - France

Las instrucciones originales están en Inglés. Los demás idiomas son una traducción de las instrucciones originales.

## Copyright 2020, Chicago Pneumatic Tools

Derechos reservados. Cualquier uso o copiado no autorizado del contenido o parte del mismo está prohibido. Esto corresponde en particular a marcas comerciales, denominaciones de modelos, números de partes y dibujos. Utilice partes autorizadas únicamente. La garantía o responsabilidad de productos no cubre ningún daño o defecto causado por el uso de partes

**1. Dati Tecnici (vedi figure 1.)**

Dimensioni	Peso	capacità	Pressione Dell'aria	A	B	C	F	E
Unità	[kg]	[kg]	[bar]	[mm]	[mm]	[mm]	[mm]	[mm]
CP86750	498	75000	7.5-8.5	1140	800	1840	245	800
CP86100	766	100000	7.5-8.5	1200	990	1830	300	787

Dimensioni	F1	F2	R(Corsa)	M	Voil	Pressione impianto idraulico	Pressione sonora	Potenza sonora	Incerto K
Unità	[mm]	[mm]	[mm]	[mm]	[l]	[MPa]	[dB(A)]	[dB(A)]	
CP86750	170	884	250	260	4.5	59.92	75.4	91.1	4.8
CP86100	114	814	300	235	5.6	63.69	75.4	91.1	4.8

Coefficiente test statico: 1.5 / Coefficiente test dinamico: 1.25 .

Tutti i valori sono vigenti alla data della presente pubblicazione. Per informazioni più recenti, visitare il sito [www.cp.com](http://www.cp.com).

**Dichiarazione relativa al livello di emissione rumori e vibrazioni :** I valori dichiarati sono stati ottenuti da test eseguiti in laboratorio in conformità con le norme stabilite e sono adeguati per il confronto con i valori dichiarati di altri utensili testati in conformità con gli stessi standard. I valori dichiarati non sono adeguati alla valutazione dei rischi e possono essere inferiori ai valori rilevati in determinati luoghi lavorativi. I reali valori di esposizione e il rischio di pericolo a cui il singolo utente è soggetto sono esclusivi e dipendono dal modo in cui la persona lavora, dal pezzo in lavorazione e dalla struttura dell'area di lavoro, nonché dai tempi di esposizione e dalle condizioni fisiche dell'utente. Noi, CHICAGO PNEUMATIC TOOLS, non possiamo essere ritenuti responsabili per le conseguenze derivanti dall'uso dei valori dichiarati, anziché di valori che riflettono l'esposizione effettiva, nella specifica valutazione di eventuali rischi in un luogo lavorativo su cui non abbiamo alcun controllo. Se non utilizzato in modo idoneo, questo utensile può provocare la sindrome da vibrazioni mano-braccio. Una guida UE alla gestione delle vibrazioni manobraccio si trova all'indirizzo [www.pneup.eu/uploads/documents/pdf/PN3-02-NV\\_Declaration\\_info\\_sheet\\_0111.pdf](http://www.pneup.eu/uploads/documents/pdf/PN3-02-NV_Declaration_info_sheet_0111.pdf). Si raccomanda l'adozione di un programma di controllo sanitario finalizzato a individuare i primi sintomi di un'eventuale esposizione alle vibrazioni, affinché sia possibile modificare le procedure di gestione e aiutare a prevenire disabilità significative.

**2. Tipo**

- Le unità descritte qui sono utilizzate manualmente e con supporto pneumo-idraulico (opzionale) che applica pressione sulle parti per l'assemblaggio e il disassemblaggio.
- Per un buon uso della pressa non superare mai la capacità massima e non applicare mai più della pressione necessaria.
- Nessun altro utilizzo consentito. Solo per uso professionale.
- Osservare inoltre le norme di sicurezza relative al prodotto!

**3. Istruzione di montaggio**

Rimuovere bulloni e rondelle da tutte le parti prima del montaggio.

- Prima di utilizzare la pressa per la prima volta, aprire l'imballaggio, montare le gambe, la tavola e il manometro. Queste operazioni possono essere effettuate in posizioni diverse, ma non dimenticare mai che si tratta di elementi pesanti che richiedono l'assistenza di altri o l'utilizzo di mezzi meccanici.
- Le gambe sono fissate allo chassis usando le viti fornite, e le tavole ai due assi B della Fig.02 che sono stati posizionati in precedenza sulle uscite delle colonne secondo l'altezza di lavoro scelta Fig.02. Fissare la sezione base e il supporto alla piastra di collegamento destra e sinistra con bullone, rondella, rondella di bloccaggio e dado.
- Spostare il gruppo pompa, Fig.07 ( CP86750 ), Fig.09 ( CP86100 ), verso l'esterno del montante usando bullone e rondella rimossi per serrare la piastra di collegamento destra.
- Posizionamento del manometro: Collocare il manometro sul gruppo idraulico sulla parte superiore della pressa Fig.06. Rimuovere il coperchio metallico e posizionare il manometro controllando che la tenuta ring all'interno dell'alloggiamento del manometro rimanga verso il basso durante l'installazione.
- Montare il tubo di olio : Fig.08 ( CP86750 ), Fig.10 , Fig.11 ( CP86100 ).
- Quando si muove la pressa, utilizzare l'attrezzatura di sollevamento corretta e seguire le istruzioni riportate alla Fig.02.

**⚠ Caution** Un'area di lavoro di 1 m deve essere mantenuta libera sia davanti che dietro la macchina mentre è in funzione in modo che sia facilmente accessibile.

Eliminare l'aria dall'impianto idraulico:

- Aprire la chiave di scarico girandola in senso anti-orario e aprire la valvola di sfido, Fig.07.
- Quindi pompare più volte l'unità idraulica. Poi ruotare completamente la chiave di scarico in senso orario. L'unità idraulica è pronta all'uso.

**4. Funzionamento**

**⚠ WARNING** Prima di utilizzare la pressa per la prima volta, fissarla al pavimento con il bullone di ancoraggio. Posizionare la pressa su una superficie stabile, regolare ed orizzontale e assicurarsi che l'area di lavoro sia illuminata in modo sufficiente.

**⚠ WARNING** Per ridurre il rischio di lesioni, leggere e capire le istruzioni e le informazioni di sicurezza della pressa fornite a parte Fig.16.

**⚠ WARNING** Per utilizzare la pressa, tenere il pistone completamente ritratto.

**⚠ WARNING** Controllare che la tavola sia fissata correttamente e bloccarla fermamente con perni. Collocare il blocco V sulla tavola Fig.02 e inserire il pezzo da lavorare nel blocco V.

- Il blocco a V deve essere utilizzato in coppia, non singolarmente!
- Solo una persona può operare la pressa.

**4.1 Istruzione di funzionamento per CP86750**

- Chiudere le chiavi di scarico, Fig.07, girandole in senso orario finché non sono bene fissate.
- Pompate l'impugnatura/il pedale finché la sella serrata non si avvicina al pezzo.
- Allineare il pezzo di lavoro e il telaio per assicurare un carico centrale.
- Pompate l'impugnatura/pedale per applicare carico sul pezzo di lavoro (vedere la numerazione sul manometro).
- Al termine del lavoro, smettere di pompare l'impugnatura/il pedale e rimuovere lentamente e con attenzione il carico dal pezzo di lavoro girando la chiave di scarico in senso anti-orario poco per volta (girare con l'angolo piccolo, il più grande è due cerchi).
- Quando il telaio è stato completamente ritratto, rimuovere il pezzo di lavoro dalla tavola.



#### 4.2 Istruzioni di funzionamento per CP86100

##### 4.2.1 Due modi di funzionamento:

- Funzionamento manuale: Inserire il supporto maniglia (50) nelle cavità maniglia. La dotazione comprende 2 cavità maniglia. Quella superiore (31) è per alta pressione e bassa velocità; quella inferiore (43) per bassa pressione e velocità più elevata. Fig. 12.

- Funzionamento idraulico: Premere la valvola a pedale idraulica (61, Fig. 08)

##### 4.2.2 Ritrazione e estrazione pistone

- 3 posizioni per la leva maniglia della valvola selettore: Quando essa si trova in posizione 1, lo stelo del pistone si ritrae. Quando essa si trova in posizione 2, arresto movimento. Quando essa si trova in posizione 3, arresto movimento. Fig. 13.

##### 4.2.3 Funzionamento

- arresto movimento /estensione.

- Portare la leva maniglia in posizione 3 e premere la valvola pedale idraulica; lo stelo del pistone si estende rapidamente. Avvertenza: Non azionare MAI il funzionamento manuale (Bassa pressione manuale) contemporaneamente.

- Quando la sella seghettata si avvicina al pezzo di lavoro, passare al funzionamento manuale.

- Regolare la posizione del pezzo di lavoro per controllare che pezzo di lavoro e stelo del pistone siano allineati correttamente.

- Iniziare a premere il pezzo di lavoro. Inserire il supporto maniglia nella cavità alta pressione (P31) e pompare il supporto maniglia; lo stelo del pistone si estende lentamente e preme il pezzo di lavoro. L'operatore può premere idraulicamente o idraulicamente e manualmente contemporaneamente.

- Rilasciare la pressione: Portare la leva maniglia in posizione 2, La pressione sullo stelo del pistone viene rilasciata automaticamente.

- Svincolo di stelo: Portare la leva maniglia in posizione 1, e operare per via aerea o manuale. Avvertenza: Non azionare MAI il funzionamento manuale (Bassa pressione manuale) contemporaneamente.

**⚠ WARNING** Non superare il carico di esercizio max/la portata nominale del carrello.

**⚠ WARNING** Assicurarsi che l'operatore indossi indumenti di protezione, guanti, casco di sicurezza, scarpe e protezioni auricolari durante il funzionamento.

**⚠ WARNING** Per evitare incidenti, essere sempre consapevoli dei lavori in corso sulla macchina. Occorre inoltre mantenere sempre la concentrazione sul lavoro da effettuare.

**⚠ WARNING** Non modificare il presente apparecchio e i relativi accessori.

## 5. Istruzioni per la manutenzione

**⚠ Caution** Non utilizzare un prodotto danneggiato o deformato. In caso di rumori anomali o vibrazioni, interrompere immediatamente l'uso, quindi ispezionare e chiedere l'assistenza del produttore. Si consiglia di far effettuare l'ispezione da un centro riparazioni autorizzato del produttore o fornitore.

**⚠ Caution** La principale causa di guasto negli utensili idraulici è lo sporco. Mantenere il martinetto pulito e ben lubrificato per impedire che corpi estranei entrino nell'impianto. Se il martinetto è stato esposto a pioggia, neve, sabbia o terra, deve essere pulito prima dell'utilizzo. Conservare il martinetto, con i pistoni completamente rientrati, in una zona ben protetta dove non sia esposto a vapori corrosivi, polvere abrasiva o altri elementi dannosi.

Controllare periodicamente le condizioni del prodotto.

Conservare il prodotto in ambienti asciutti e privi di agenti corrosivi.

I proprietari e/o gli operatori devono essere consapevoli che la riparazione di questa apparecchiatura può richiedere conoscenze e strutture specializzate.

Si raccomanda un controllo annuale del prodotto da parte di un centro riparazioni autorizzato del produttore o del fornitore. Le eventuali parti difettose, decalcomanie, etichette e segnali di sicurezza vanno sostituiti con parti originali del produttore o del fornitore. Un elenco di centri di riparazione autorizzati è disponibile presso il produttore o il fornitore, si prega di rivolgersi a loro per l'assistenza.

Qualsiasi prodotto che sembri essere in qualche modo danneggiato, usurato, o funzioni in modo anomalo DEVE ESSERE RIMOSSO DAL SERVIZIO FINO ALLA RIPARAZIONE. Si raccomanda di far effettuare le riparazioni necessarie da un centro riparazioni autorizzato del produttore o del fornitore, se le riparazioni sono autorizzate dal produttore o dal fornitore.

Vanno utilizzati solo accessori e/o adattatori forniti dal produttore.

Il progetto è stato convalidato secondo: ASME ASP-2010

## 7. Dichiarazione di conformità

La Società: **CHICAGO PNEUMATIC Tool Co. LLC, 1815 Clubhouse Road, Rock Hill, SC 29730 - USA**

Dichiara che il(i) prodotto(i): **CP86750/CP86100** Serie: da 00001 a 99999

Tipo: **Pressa idraulica** Origine del prodotto: **Porcellana**

è (sono) in conformità con le esigenze previste dalla Direttiva sulla convergenza delle legislazioni degli Stati membri relative: - alle „Macchine”

**2006/42/EC (17/05/2006)**

norma(e) armonizzata(e) applicabile(i): **EN 13736 : 2003 + A1 : 2009**

Nome e funzione del dichiarante: **Pascal Roussy (R&D Manager)**

Luogo e Data: **Saint-Herblain, 10/04/2020**



File tecnico disponibile dalla Sede Centrale europea Nicolas Lebreton R&D manager CP Technocenter 38, rue Bobby Sands - BP10273 44800 Saint Herblain - France

Le istruzioni originali sono in inglese. Altre lingue sono una traduzione delle istruzioni originali.

## Copyright 2020, Chicago Pneumatic Tools

Tutti i diritti riservati. Qualsiasi uso non autorizzato o copia del contenuto o di parte del contenuto è proibito. Questo vale in particolare modo per i marchi registrati, le descrizioni dei modelli, i numeri delle parti e i disegni. Si avvisa che l'utilizzo di parti originali non è coperto da garanzia o da responsabilità per danni causati da un prodotto difettoso.

## 1. Technische gegevens (zie afbeeldingen 1.)

Afmetingen	Gewicht	capaciteit	luchtdruk	A	B	C	F	E
Apparaat	[kg]	[kg]	[bar]	[mm]	[mm]	[mm]	[mm]	[mm]
CP86750	498	75000	7.5-8.5	1140	800	1840	245	800
CP86100	766	100000	7.5-8.5	1200	990	1830	300	787

Afmetingen	F1	F2	R(Slag)	M	Voil	Druk van het hydraulische systeem	Geluidsdruk	Geluidsterkte	Onzekerheid K
Apparaat	[mm]	[mm]	[mm]	[mm]	[l]	[MPa]	[dB(A)]	[dB(A)]	
CP86750	170	884	250	260	4.5	59.92	75.4	91.1	4.8
CP86100	114	814	300	235	5.6	63.69	75.4	91.1	4.8

Statische Test Coëfficiënt: 1.5 / Dynamische Test Coëfficiënt: 1.25.

Alle waarden zijn van toepassing op de datum van deze publicatie. Actuele informatie vindt u op [www.cp.com](http://www.cp.com).

**Verklaring van ruis en trillingen:** De opgegeven waarden zijn verkregen door laboratoriumtesten in overeenstemming met de verklaarde eisen en zijn geschikt voor vergelijking met de opgegeven waarden van andere tools die getest zijn volgens de normen. De opgegeven waarden zijn niet voldoende voor gebruik in risico-evaluaties en kunnen de waarden gemeten in individuele werkplekken hoger zijn. De feitelijke blootstellingwaarden en het letselrisico ervaren door een individuele gebruiker zijn uniek en hangen af van de manier waarop de gebruiker werkt, het werkstuk en de inrichting van de werkplek, maar ook van de duur van de blootstelling en fysieke conditie van de gebruiker. Wij, CHICAGO PNEUMATIC TOOLS, kunnen niet aansprakelijk worden gesteld voor de gevolgen van het gebruik van de opgegeven waarden in plaats van de waarden van werkelijke blootstelling in een individuele risico-evaluatie op een werkpleksituatie waarover wij geen controle hebben. Deze tool kan hand-arm vibratiesyndroom veroorzaken als gebruiksregels niet adequaat worden toegepast. Een EU richtlijn inzake het beheer van hand-armtrillingen is te vinden op [www.neurop.eu/uploads/documents/pdf/PN3-02-NV\\_Declaration\\_info\\_sheet\\_0111.pdf](http://www.neurop.eu/uploads/documents/pdf/PN3-02-NV_Declaration_info_sheet_0111.pdf) Wij adviseren een beleid voor medische controle voor het opsporen van vroege symptomen die betrekking kunnen hebben op blootstelling aan lawaai of trillingen, zodat de beleidsprocedures kunnen worden gewijzigd om mogelijk schadelijke gevolgen in de toekomst te voorkomen.

## 2. Machinetype

- De eenheden die hier beschreven worden, zijn handbediend en met pneumatisch-hydraulische ondersteuning (optioneel), die druk op onderdelen voor montage- of demontagedoeleinden toepassen.
- Voor goed gebruik van de pers overschrijdt nooit de maximale capaciteit en pas nooit meer druk toe dan nodig is.
- Andere toepassingen zijn niet toegestaan. Alleen voor professioneel gebruik.
- Neem de voorzorgsmaatregelen in acht!

## 3. Montagehandleiding

Verwijder de bouten en sluitringen van alle onderdelen vóór het monteren.

- Alvorens de pers voor het eerst te gebruiken, dient men de verpakking te verwijderen en de poten, de tafel en de drukmeter te monteren. Deze handelingen kunnen in verschillende houdingen worden uitgevoerd. Men dient er echter rekening mee te houden dat assistentie is vereist voor de zware onderdelen of het mechanische gebruik.
- De poten dienen op het frame te worden bevestigd, door gebruik te maken van de bijgeleverde schroeven. De tafels dienen te worden verbonden met de twee B-assen van Fig.02 die van tevoren zijn geplaast op de uitlaten van de zuilen in overeenkomst met de gekozen werkhoogte Afb.02. Verbind de basis en de steun met de linker en rechter verbindingsplaat, gebruik makend van de bout, sluitring, borgring en moer
- Bewege de pomp, Afb.07 ( CP86750 ), Afb.09 ( CP86100 ), naar de buitenkant van de post, gebruik makend van de bout en de sluitring die juist gedemonteerd zijn, om stevig vast te draaien op de rechter verbindingsplaat.
- Positionering van de manometer. De manometer dient op de hydraulische eenheid te worden gemonteerd, die zich op het bovenste gedeelte van de pers Fig.06 bevindt. Verwijder de metalen afdekking, plaats de manometer en zorg ervoor dat de O-ring afdichting, die zich in de behuizing van de manometer bevindt, na de installatie op de bodem blijft.
- Monteer olieslang : Afb.08 ( CP86750 ), Afb.10 ,Afb.11 ( CP86100 ).
- Tijdens het verplaatsen van de machine dient men geschikte hefmidelen te gebruiken en de instructies die in Afb.02 worden getoond op te volgen

**⚠ Caution** Een werkruimte van 1 m moet vrij blijven zowel voor als achter de machine als deze in werking is, zodat het gemakkelijk toegankelijk is.

Purge air from the hydraulic system:

- Open de aflatklep door deze tegen de klok in te draaien en open de ontluuchtingsklep, Afb.07.
- Pomp de hydraulische eenheid vervolgens een aantal keer en draai de aflatkleppen volledig tegen de klok in. De hydraulische eenheid is klaar voor gebruik.

## 4. Bediening

**⚠ WARNING** Fixeer de machine op de vloer m.b.v. de verankeringsbouten, alvorens over te gaan tot het eerste gebruik. Men dient ervoor te zorgen dat het staande oppervlak van de werkplaats waar de machine zich bevindt, stevig en horizontaal is en dat er voldoende verlichting aanwezig is.

**⚠ WARNING** Om het risico op letsel te vermijden, dient men de apart bijgeleverde veiligheidsinstructie en de veiligheidsinformatie die staat vermeld op de pers zelf te lezen en te begrijpen Afb.16

**⚠ WARNING** Houd de zuiger, bij het daaropvolgende gebruik, volledig ingetrokken.

**⚠ WARNING** Verzeker de tafel op een geschikte positie en vergrendel de tafel stevig met de pinnen. Plaats het V-blok op de tafel, Afb.02, en plaats vervolgens het werkstuk op het V-blok.

- Het V-blok moet per paar worden gebruikt, niet per stuk!
- Slechts één persoon is toegestaan om de pers te bedienen.

### 4.1 Operatie Instructie voor CP86750

- Sluit de aflatkleppen, Afb.07, door deze met de klok mee te draaien totdat ze stevig dicht zijn.
- Pomp de hendel/het voetpedaal totdat het gekartelde zadel het werkstuk nadert.
- Aligneer het werkstuk en de ram om centrale lading te garanderen.
- Pomp de hendel/het voetpedaal om de lading toe te passen op het werkstuk (zie talstelsel in drukmeter).
- Stop met het pompen van de hendel/het voetpedaal, wanneer het werk voltooid is, en verwijder voorzichtig de lading van het werkstuk door de aflatklep met kleine tussenpozen tegen de klok in te draaien, draai met de kleinste hoek, de grootste is twee cirkels, Afb.17)
- Verwijder het werkstuk van de tafel, zodra de ram volledig is ingetrokken.

#### 4.2 Operatie Instructie voor CP86100

##### 4.2.1 Twee manieren om te bedienen:

- Handmatig bedienen: Plaats de hendelbuis (50) in de hendelaansluitingen. 2 hendelaansluitingen zijn beschikbaar. De bovenste (31) is voor hoge druk en lage snelheid; en de onderste (43) is voor lage druk en hogere snelheid; Afb. 12.

- Gebruik met lucht: Druk op de luchtvoetklep (61, Afb. 08)

##### 4.2.2 In- en uitschuiven van de zuiger

- Er zijn 3 standen voor de hefboom van de selectieklep: Wanneer het in stand 1 is, wordt de zuigerstang ingetrokken. Wanneer het in stand 2 is, stoppen verplaatsen. Wanneer het in stand 3 is, uitschuiven. Afb. 13.

##### 4.2.3 Bediening

- Draai de hefboom naar stand 3, druk vervolgens op de luchtvoetklep en de zuigerstang zal snel uitschuiven. Waarschuwing: Bedien NOOIT tegelijk handmatig (handmatige lage druk).
- Wanneer de getande zadel dicht bij het werkstuk komt, verander naar handmatige bediening.
- Pas de positie van werkstuk aan om ervoor te zorgen dat het werkstuk en de zuigerstang correct zijn uitgelijnd.
- Begin het werkstuk te persen. Steek de hendelbuis in de hoge druk aansluiting (P31) en pomp met de hendelbuis, de zuigerstang schuift langzaam uit en perst het werkstuk. De operator kan met lucht of tegelijk met lucht en handmatig persen.
- Hef de druk op: Draai de hefboom naar stand 2, de druk op de zuigerstang zal automatisch worden opgeheven.
- Terugtrekken van de zuigerstang: Draai de hefboom naar stand 1, en te bedienen door de lucht of handleiding. Waarschuwing: Bedien NOOIT tegelijk handmatig (handmatige lage druk).
- Als het klaar is, koppelt u de luchtslang van de compressor en het reinigen van de machine.

**⚠ WARNING** Zet de auto overwerkt.

**⚠ WARNING** Zorg ervoor dat de operator beschermende kleding, handschoenen, veiligheidshelm, schoenen en oorbeschermers tijdens het bedienen draagt.

**⚠ WARNING** Om ongevallen te voorkomen, wees altijd bewust van eventueel lopende werkzaamheden op de machine. Blijf ook altijd geconcentreerd op het werk dat moet worden gedaan.

**⚠ WARNING** De wijzigingen van het product of de bijbehorende bijlagen is strikt verboden.

## 5. Onderhoudsinstructies

**⚠ Caution** Gebruik geen beschadigd/vervormd product. Als abnormaal lawaai of trilling optreedt, stop onmiddellijk het gebruik, inspecteer en vraag de fabrikant om hulp. Het wordt aanbevolen om deze inspectie door een hersteldienst van de fabrikant of leverancier uit te laten voeren.

**⚠ Caution** De belangrijkste oorzaak van storing in hydraulische units, is vuil. Houd de servicekrik schoon en goed gesmeerd om het binnendringen dat vreemde stoffen in het systeem te voorkomen. Als de krik is blootgesteld aan regen, sneeuw, zand of grind, moet het worden gereinigd voordat het wordt gebruikt.

Bewaar de krik, met de zuigers volledig ingeschoven, in een goed beschermd ruimte waar het niet aan corrosieve dampen, schurende stof of andere schadelijke elementen zal worden blootgesteld.

Controleer periodiek de toestand van het product.

Berg het product in een droge en corrosievrije omgeving op.

Eigenaren en/of gebruikers moeten zich er bewust van zijn dat reparatie van deze apparatuur gespecialiseerde kennis en faciliteiten kan vereisen. Het wordt aanbevolen om een jaarlijkse inspectie van het product door een geautoriseerde hersteldienst van de fabrikant of leverancier te laten uitvoeren en dat eventuele defecte onderdelen, stickers, of veiligheidsetiketten of aanwijzingen door gespecialiseerde onderdelen van de fabrikant of leverancier worden vervangen. Een lijst van geautoriseerde hersteldiensten is verkrijgbaar bij de fabrikant of leverancier, bel ze voor hulp.

Een product dat op enigerlei wijze beschadigd lijkt te zijn, versleten wordt bevonden, of abnormaal werkt **MAG NIET WORDEN GEBRUIKT TOTDAT HET GEREPEARERD IS**. Het wordt aanbevolen dat noodzakelijke reparaties door een geautoriseerde hersteldienst van de fabrikant of leverancier worden uitgevoerd, indien reparaties door de fabrikant of leverancier worden toegestaan.

Alleen hulpstukken en/of adapters geleverd door de fabrikant mogen worden gebruikt.

Het ontwerp is gevalideerd volgens: ASME ASP-2010

## 7. Verklaring van conformiteit

De firma : **CHICAGO PNEUMATIC Tool Co. LLC, 1815 Clubhouse Road, Rock Hill, SC 29730 - USA**

Verklaart hierbij dat het (de) produkt(en): **CP86750/CP86100** Serie: 00001 tot 99999

Machinetype: **Hydraulische pers** Herkomst van het product: **China**

in overeenstemming is (zijn) met de vereisten van de richtlijn van de Raad inzake de onderlinge aanpassing van de wetgevingen van de lidstaten betreffende: "machines" **2006/42/EC (17/05/2006)**

geldige geharmoniseerde norm(en) : **EN 13736 : 2003 + A1 : 2009**

Naam en Functie van de opsteller: **Pascal Roussy (R&D Manager)**

Plaats en datum: **Saint-Herblain, 10/04/2020**



Technisch bestand is verkrijgbaar van het EU-hoofdkwartier. Nicolas Lebreton R&D manager CP Technocenter 38, rue Bobby Sands - BP10273 44800 Saint Herblain - France

De originele instructies zijn in het Engels. Andere talen zijn een vertaling van de oorspronkelijke gebruiksaanwijzing.

## Copyright 2020, Chicago Pneumatic Tools

Alle rechten voorbehouden. Onbevoegd gebruik of kopiëren van de inhoud of een deel daarvan is verboden. Dit geldt in het bijzonder voor handelsmerken, modelbenamingen, onderdeelnummers en tekenen. Gebruik uitsluitend goedgekeurde onderdelen. Schade of storingen, veroorzaakt door het gebruik van niet-goedgekeurde onderdelen, worden niet door de

**1. Технические характеристики (См. рисунки 1.)**

Габаритные размеры	Вес	номинал	Давление воздуха	A	B	C	F	E
Единицы	[kg]	[kg]	[bar]	[mm]	[mm]	[mm]	[mm]	[mm]
CP86750	498	75000	7.5-8.5	1140	800	1840	245	800
CP86100	766	100000	7.5-8.5	1200	990	1830	300	787

Габаритные размеры	F1	F2	R(Ход)	M	Voil	Давление в гидравлической системе	Звуковое давление	Мощность звука	Неизвестно К
Единицы	[mm]	[mm]	[mm]	[mm]	[l]	[MPa]	[дБ(A)]	[дБ(A)]	
CP86750	170	884	250	260	4.5	59.92	75.4	91.1	4.8
CP86100	114	814	300	235	5.6	63.69	75.4	91.1	4.8

Statische Test Coefficient: 1.5 / Dynamische Test Coefficient: 1.25 .

Все значения являются действительными на дату настоящей публикации. Для получения дополнительной информации, пожалуйста, посетите веб-сайт [www.cp.com](http://www.cp.com).

**Заявленные шумовые и вибрационные характеристики :** Эти заявленные параметры, полученные при испытаниях в лабораторных условиях согласно указанным стандартам, пригодны для сравнения с заявленными характеристиками других инструментов, тестированных по тем же стандартам. Заявленные параметры не пригодны для использования в оценках риска, а параметры, измеренные на индивидуальных рабочих местах, могут иметь более высокие значения. Фактические параметры воздействия и риск причинения вреда отдельным лицам носят индивидуальный характер и зависят от приемов работы, обрабатываемой заготовки и особенностей рабочего места, а также от длительности воздействия и физического состояния пользователя. Наша компания, CHICAGO PNEUMATIC TOOLS, не несет ответственности за последствия использования заявленных параметров вместо параметров, отражающих фактическое воздействие, в оценке риска в ситуации, которая создается на индивидуальном рабочем месте и которая находится вне нашего контроля. При неправильной работе с этим инструментом он может вызвать вибрационный синдром кисти руки. Указания ЕС по снижению вибрационного синдрома кисти руки можно найти на [www.pneugor.eu/uploads/documents/pdf/PN3-02-NV\\_Declaration\\_info\\_sheet\\_0111.pdf](http://www.pneugor.eu/uploads/documents/pdf/PN3-02-NV_Declaration_info_sheet_0111.pdf). Мы рекомендуем программу контроля состояния здоровья, которая обеспечивает раннее обнаружение симптомов вредного воздействия шума и вибрации, позволяя своевременно пересмотреть процедуры руководства работами, чтобы предотвратить ухудшение здоровья в будущем.

**2. Тип(ы) оборудования**

- Описанные здесь Устройства управляются вручную, а также при помощи пневмогидравлической опоры (дополнительная опция), прикладывающей давление к деталям для сборки или разборки.
- Для правильного использования пресса запрещено превышать максимальную вместимость и прикладывать большее давление, чем это необходимо.
- Другое использование запрещено. Для профессионального применения.
- Соблюдайте правила техники безопасности при работе с продуктом!

**3. Инструкции по установке**

Взлетел болты, шайбы из всех частей перед сборкой.

- Перед первым применением пресса его необходимо распаковать, а также установить ножку, стол и измеритель давления. Эти операции можно выполнить в разных положениях, но не забывайте, что это тяжелые детали, требующие помощи коллег или механических приспособлений.
- Ножка монтируется на шасси винтами из комплекта поставки, а стол устанавливается к двум осям В (рис. 02), которые предварительно требуется расположить на выходах стоек согласно выбранной рабочей высоте (рис. 02). Прикрепите базовую секцию и опору к левой и правой соединительной плите с помощью болта, шайбы, фиксирующей шайбы и гайки.
- Сместите сборочную единицу насоса - рис. 07 ( CP86750 ), рис. 09 ( CP86100 ), - вне мачты, затем используйте снятые к этому времени болт и шайбу для плотного притягивания к правой соединительной плите.
- Установите манометр: манометр должен располагаться на гидравлическом блоке, который находится в верхней части пресса, рис. 06. Снимите металлический кожух, установите манометр и проверьте, что O-образная герметизирующая прокладка внутри корпуса манометра установлена внизу после монтажа.
- Соберите масла шланг : рис.08 ( CP86750 ), рис.10 , рис.11 ( CP86100 ).
- Во время перемещения механизма, пожалуйста, проверьте, что используется подходящее подъемное оборудование и соблюдаются инструкции, см. рис. 02.

**⚠ Caution** Рабочая область 1 м должна быть оставлена спереди и сзади механизма во время его эксплуатации, чтобы всегда оставался свободный доступ.

Прочкайте воздух в гидравлической системе:

- Откройте сливной клапан поворотом в направлении против часовой стрелки, затем откройте клапан выпуска воздуха, рис. 07.
- Затем накачайте несколько раз гидравлический блок. Далее полностью заверните сливные клапаны в направлении по часовой стрелке.

Теперь гидравлический блок готов к использованию.

**4. Работа**

**⚠ WARNING** Перед первым применением, пожалуйста, закрепите механизм на полу анкерным цилиндром. Необходимо обеспечить прочную и горизонтальную опорную поверхность в месте установки механизма, а также достаточное освещение для него.

**⚠ WARNING** Для снижения риска травм, прочтите и поймите инструкции по безопасности, предоставляемые отдельно, и информацию по безопасности, указанную для пресса, рис.16.

**⚠ WARNING** При последующем использовании пресса держите поршень полностью вдвинутым.

**⚠ WARNING** Убедившись в правильном положении стола, прочно закрепите его штифтами. Установите V-образный блок на стол, рис. 02, затем вставьте обрабатываемую деталь в V-блок.

- V-блок должен использоваться парой, а не по одному!
- Только одному человеку разрешено управлять прессом.

**4.1 Инструкция к CP86750**

- Закройте сливной клапан, рис. 07, поворотом по часовой стрелке до прочного запирания.
- Наканчивайте ручной/ножной педалью до приближения зубчатого седла к обрабатываемой детали.
- Выровняйте обрабатываемую деталь и гидравлический подъемник, чтобы обеспечить центровку нагрузки.
- Наканчивайте ручной/ножной педалью для приложения нагрузки к обрабатываемой детали (пожалуйста, см. отсчет на измерителе давления).
- После выполнения работы остановите накачку ручной/ножной педалью, затем медленно и аккуратно снимите нагрузку с обрабатываемой детали за счет поворота сливного клапана против часовой стрелки небольшими шагами (должен быть поворот на небольшой угол, наибольшим будут два круга, рис.17).
- После полного втягивания гидравлического подъемника снимите обрабатываемую деталь со стола.

#### 4.2 Инструкция к CP86100

##### 4.2.1 Два способа эксплуатации:

• Работа в ручном режиме: Вставьте трубку (50) ручки в гнезда ручки. Предусмотрено 2 гнезда ручки. Верхнее (31) предназначено для высокого давления и низкой скорости; нижнее (43) – для низкого давления и более высокой скорости. рис.12.

• Работа в пневматическом режиме: Нажмите на пневматический клапан с ножным приводом (61,рис.08)

##### 4.2.2 Втягивание и выдвигание поршня

• 3 положения рычага ручки селекторного клапана: В положении 1 шток поршня втягивается. В положении 2 остановка движения. В положении 3 шток выдвигается. рис.13.

##### 4.2.3 Работа

• Поверните рычаг ручки в положение 3, затем нажмите на пневматический клапан с ножным приводом, после чего шток поршня быстро выдвинется. Предупреждение: НИКОГДА одновременно с этим не работайте в ручном режиме (Низкое Давление в Ручном Режиме Работы).

• Когда зубчатое седло подойдет близко к обрабатываемой детали, перейдите в ручной режим работы.

• Отрегулируйте положение обрабатываемой детали, чтобы обеспечить правильное взаимное расположение детали и штока поршня.

• Начните прижимать обрабатываемую деталь. Введите трубку ручки в гнездо высокого давления (P31) и качайте трубку ручки, медленно выдвинется шток поршня, после чего прижмите обрабатываемую деталь. Оператор может прижимать пневматически или одновременно пневматически и вручную.

• Снимите давление: Поверните рычаг ручки в положение 2, давление на шток поршня автоматически снимется.

• Втягивание штока: Поверните рычаг ручки в положение 1, и работайте по воздуху или по инструкции. Предупреждение: НИКОГДА одновременно с этим не работайте в ручном режиме (Низкое Давление в Ручном Режиме Работы).

• Когда завершится, отсоедините воздушный шланг от компрессора и очистите машину.

**⚠ WARNING** Не превышайте предел рабочей нагрузки / номинальную грузоподъемность тележки.

**⚠ WARNING** Убедитесь, что во время работы оператор надел защитный комбинезон, очки, каску, обувь и наушники.

**⚠ WARNING** Чтобы предотвратить инциденты, всегда отслеживайте текущие работы с механизмом. Также не отвлекайтесь от выполняемой работы.

**⚠ WARNING** Запрещается модифицировать данный продукт и его принадлежности.

## 5. Инструкция по техническому обслуживанию

**⚠ Caution** Не пользуйтесь поврежденным/деформированным продуктом. При возникновении аномального шума или вибрации немедленно прекратите эксплуатацию, проведите осмотр и обратитесь за помощью к производителю. Рекомендуется проведение такого осмотра уполномоченным ремонтным подразделением производителя или поставщика.

**⚠ Caution** Единственной наиболее важной причиной неисправности гидравлических блоков является грязь. Содержите сервисный домкрат в чистоте и хорошо смазывайте его для предотвращения проникновения внешних частиц в систему. Если домкрат подвергался воздействию дождя, влажности, пыли или песка, перед использованием необходима его очистка.

Храните домкрат с полностью втянутыми поршнями в хорошо защищенном месте, где нет воздействия коррозионных паров, абразивной пыли или других опасных компонентов.

Периодически проверяйте состояние продукта.

Храните продукт в сухом помещении без условий для возникновения коррозии.

Владельцы и/или операторы данного продукта должны знать, что ремонт этого оборудования может потребовать специальных знаний и инструментов. Рекомендуется ежегодный осмотр продукта уполномоченным ремонтным подразделением производителя или поставщика с заменой дефектных деталей, бирок и знаков/этикеток безопасности указанными производителем или поставщиком аналогами. Список уполномоченных ремонтных подразделений доступен у производителя или поставщика - пожалуйста, обратитесь к ним за помощью.

Любой продукт, который кажется дефектным, оценивается изношенным или работает неправильно ДОЛЖЕН БЫТЬ СНЯТ С СЕРВИСНОГО ОБСЛУЖИВАНИЯ ДО ОКОНЧАНИЯ РЕМОНТА. Рекомендуется проведение ремонта уполномоченным ремонтным подразделением производителя или поставщика, если такой ремонт допускается производителем или поставщиком.

Используйте только приспособления и/или адаптеры предоставленные производителем.

Дизайн был утвержден в соответствии: ASME ASP-2010

### 7. Декларация соответствия

Мы: CHICAGO PNEUMATIC Tool Co. LLC, 1815 Clubhouse Road, Rock Hill, SC 29730 - USA

Заявляем, что продукция: CP86750/CP86100 Серийный номер: 00001 to 99999

Тип(ы) оборудования: Гидравлический пресс Происхождение продукта: Китай

соответствует требованиям директив Европейского Совета относительно законодательств стран-участниц по: „Машинному оборудованию“ 2006/42/ЕС (17/05/2006)

применяемые согласованные нормы: EN 13736 : 2003 + A1 : 2009

Фамилия и должность составителя: Pascal Roussy (R&D Manager)

Место и дата: Saint-Herblain, 10/04/2020



Технический документ доступен в главном офисе Европейского Союза. Nicolas Lebreton R&D manager CP Technocenter 38, rue Bobby Sands - BP10273 44800 Saint Herblain - France

Исходные инструкции на английском языке. Инструкции на других языках являются переводом исходных инструкций.

### Copyright 2020, Chicago Pneumatic Tools

Все права защищены. Всякое несанкционированное использование или копирование всего или части настоящего документа запрещается. Этот запрет распространяется в частности на товарные знаки, обозначения моделей, каталожные номера и чертежи. Используйте только утвержденные детали. На любые повреждения или неисправности из-за применения неавторизованных деталей не распространяется действие гарантии или обязательства ответственности за продукцию.

## 1. Tekniska data (Se figurerna 1.)

Mått	Vikt	kapacitet	Lufttryck	A	B	C	F	E
Enhet	[kg]	[kg]	[bar]	[mm]	[mm]	[mm]	[mm]	[mm]
CP86750	498	75000	7.5-8.5	1140	800	1840	245	800
CP86100	766	100000	7.5-8.5	1200	990	1830	300	787

Mått	F1	F2	R (S i a g - längd)	M	Voil	Det hydrauliska systemets tryck	Ljudtrycksnivå	Ljudeffekt	Osäkerhet K
Enhet	[mm]	[mm]	[mm]	[mm]	[l]	[MPa]	[dB(A)]	[dB(A)]	
CP86750	170	884	250	260	4.5	59.92	75.4	91.1	4.8
CP86100	114	814	300	235	5.6	63.69	75.4	91.1	4.8

Statische Test Coefficient: 1.5 / Dynamische Test Coefficient: 1.25.

Alla värden är aktuella vid denna publikations utgivningsdatum. För den senaste informationen, besök [www.cp.com](http://www.cp.com).

**Deklaration av buller och vibrationer** : Dessa deklarerade värden erhölls genom laborietypprovning i enlighet med de angivna standarderna och är lämpliga för jämförelse med deklarerade värden för andra verktyg som testats i enlighet med samma standarder. Dessa deklarerade värden är inte tillräckliga för användning i riskbedömningar, och värden som uppmätts på enskilda arbetsplatser kan vara högre. De faktiska exponeringsvärdena och risken för skada som en enskild användare kan erfaras är unika och beror på hur användaren arbetar, arbetsstyckets och arbetsplatsens utformning, liksom på exponeringstiden och hälsostillståndet hos användaren. Vi, CHICAGO PNEUMATIC TOOLS, kan inte hållas ansvariga för konsekvenserna av att de deklarerade värdena används istället för värden som speglar den faktiska exponeringen vid en individuell riskbedömning på en arbetsplatsituation som vi inte har någon kontroll över. Detta verktyg kan orsaka hand-arm-vibrationsyndrom om dess användning inte kontrolleras tillräckligt. En EU-guide för hantering av hand-arm-vibrationer finns på [www.pneurop.eu/uploads/documents/pdf/PN3-02-NV\\_Declaration\\_info\\_sheet\\_0111.pdf](http://www.pneurop.eu/uploads/documents/pdf/PN3-02-NV_Declaration_info_sheet_0111.pdf). Vi rekommenderar ett program för hälsokontroll för att upptäcka tidiga symptom som kan ha med exponering för buller eller vibrationer att göra, så att arbetsledningsprocedurer kan modifieras för att förhindra framtida skador.

## 2. Maskintyp

- Enheterna som beskrivs här drivs manuellt med lufthydrauliskt stöd (valfritt) som tillämpar tryck på delar vid montering eller nedmontering.
- För att pressen ska fungera bra ska maxkapaciteten aldrig överskridas och man ska aldrig använda högre tryck än nödvändigt.
- Ingen annan användning är tillåten. Endast för professionell användning.
- Vänligen observera produktens säkerhetsinformation!

## 3. Monteringsinstruktioner

Ta bort bultar och brickor från alla delar före monteringen.

- Före den första användningen av pressen, är det nödvändigt att packa upp, montera fötter, bordet och tryckmätaren. Dessa operationer kan utföras i olika positioner, men glöm aldrig att detta är tunga föremål som kräver hjälp av andra eller användning av mekaniska hjälpmedel.
- Fötterna är fästa på chassit med de medföljande skruvarna, och borden till de två B-axlarna i Bild.02 som tidigare har placerats på utloppen på pelarna enligt vald arbetshöjd Bild.02. Fäst bassetionen och stödet till vänster och höger kopplingsplatta med bult, bricka, låsbricka och mutter
- Flytta pumpmontaget, Bild.07 ( CP86750 ), Bild.09 ( CP86100 ), på utsidan av stolpen, använd bult och bricka som demonterats just nu för att späna fast på rätt anslutningsplatta.
- Placering av Manometern: Manometern skall placeras på den hydrauliska enheten, som är belägen på den övre delen av pressen Bild.06. Ta bort täckplåten, placera manometern, och se till att O-ringstättningen som är inne i manometerhöljet stannar kvar på botten vid installationen.
- Montera oljeslangen : Bild.08 ( CP86750 ), Bild.10 , Bild.11 ( CP86100 ).
- Under flytt av maskinen, se till att använda korrekt lyftutrustning och följ de instruktioner som visas Bild.02

**⚠ Caution** Ett arbetsområde på 1 m måste hållas fritt både framför och bakom maskinen medan den är i drift, så att den alltid är lätt tillgänglig.

Töm ut luft från hydraulsystemet:

- Öppna ventilen, genom att vrida den moturs och öppna avtappningsluftventilen ,Bild.07.
- Pumpa sedan hydraulenheten flera gånger. Vrid sedan utsläppsventilerna medurs. Den hydrauliska enheten är klar för användning.

## 4. Drift

**⚠ WARNING** Före första användning, vänligen fäst maskinen vid golvet med förankringsbultar. Det måste säkerställas att placeringsytan för maskinplatsen är stabil och horisontell, och att tillräcklig belysning tillhandahålls.

**⚠ WARNING** För att minska risken för skador, läs och förstå separat tillhandahållna säkerhetsinstruktioner och säkerhetsanvisningar som anges på pressen Bild.16

**⚠ WARNING** Efter användning av pressen, håll kolven helt indragen.

**⚠ WARNING** Se till att bordet är i rätt läge och läs bordet med stift ordentligt. Placera V-blocket på bordet, Bild.02, sätt sedan in arbetsstycket på V-blocket.

- V-blocken måste användas i par, inte enstaka!
- Endast en person får använda pressen.

### 4.1 Operation Instruktion för CP86750

- Stäng utsläppsventilerna, Bild.07, genom att vrida dem medurs tills de är ordentligt stängda.
- Pumpa handtaget/pedalen tills den räfflade sadeln närmar sig arbetsstycket.
- Rikta in arbetsstycket och domkraften för att säkerställa mittbelastningen.
- Pumpa handtaget/pedalen för att belasta arbetsstycket (se numrering i tryckmätaren).
- När arbetet utförs, sluta pumpa handtaget/fofpedalen långsamt och försiktigt och ta bort belastningen från arbetsstycket genom att vrida ventilen moturs i små steg. (måste rotera med liten vinkel, den största är två cirklar, Bild 17)
- När domkraften är helt indragen, ta bort arbetsstycket från bordet

#### 4.2 Operation Instruktion för CP86100

##### 4.2.1 Två användnings sätt:

- Använd manuellt: Sätt i handtagsröret (50) i handtagssockla. 2 handtagssocklar medföljer. Den övre (31) är avsedd för högt tryck och låg hastighet; den nedre (43) är avsedd för lågt tryck och högre hastighet. Bild 12.

- Användning med luft: Tryck på luftventilen (61, Bild 08)

##### 4.2.2 Tillbakadragning och framskjutning av kolven

- 3 positioner för handtagsspaken för väjjarventilen: I position 1 dras kolvstängan tillbaka. I position 2 stoppa förflyttning. I position 3 framskjutning. Bild 13.

##### 4.2.3 Drift

- Vrid handtagsspaken till position 3, och tryck på luftfotsventilen. Kolvstängan skjuts fram snabbt. Varning: Använd ALDRIG manuellt (manuellt lågt tryck) samtidigt.
- När den sågtandade sadeln kommer i närheten av arbetsstycket, växla till manuell drift.
- Justera arbetsstyckets position för att se till att arbetsstycket och kolvstängan är uppriktade korrekt.
- Börja trycka arbetsstycket. Sätt i handtagsröret i högttryckssockeln (P31) och pumpa handtagsröret. Kolvstängan skjuts fram sakta och trycker på arbetsstycket. Användaren kan trycka med luft, eller trycka manuellt och med luft samtidigt.
- Släpp trycket: Vrid handtagsspaken till position 2, trycket på kolvstängan släpper automatiskt.
- Återdragning av kolvstängan: Vrid handtagsspaken till position 1, och driva med flyg eller manuellt. Varning: Använd ALDRIG manuellt (manuellt lågt tryck) samtidigt.
- När den är klar, koppla bort luftslangen från kompressorn och rengör maskinen.

**⚠ WARNING** Överskrid inte max. arbetsbelastning / angiven kapacitet för vagnen.

**⚠ WARNING** Se till att användaren använder skyddskläder, handskar, skyddshjälm, skyddsskor och hörselskydd under användningen.

**⚠ WARNING** För att undvika olyckor, var alltid medveten om pågående arbete på maskinen. Fokusera också på det arbete som ska utföras.

**⚠ WARNING** Produkten och dess tillbehör får inte ändras.

## 5. Underhållsinstruktioner

**⚠ Caution** Använd inte produkten om den är skadad/deformerad. Om onormalt ljud eller vibrationer inträffar, sluta omedelbart använda utrustningen, inspektera och kontakta tillverkaren för hjälp. Vi rekommenderar att denna inspektion utförs av en reparationsverkstad som är auktoriserad av tillverkaren eller återförsäljaren.

**⚠ Caution** Den största orsaken till problem med hydraulenheter är smuts. Håll domkraften ren och vålsmord för att förhindra att främmande ämnen kommer in i systemet. Om domkraften har utsatts för regn, snö, sand eller smuts måste den rengöras innan den används.

Förvara domkraften, med kolvarna helt indragna, på en väl skyddad plats där den inte utsätts för korrosiva ångor, repande smuts eller andra skadliga ämnen.

Kontrollera produktens status regelbundet.

Förvara produkten på en torr plats utan korrosion.

Ägaren och/eller användaren ska vara medveten om att reparation av denna utrustning kan kräva speciella kunskaper och verktyg. Vi rekommenderar att en årlig inspektion av utrustningen utförs av en reparationsverkstad som är auktoriserad av tillverkaren eller återförsäljaren, och att alla skadade delar, dekal, säkerhetsetiketter eller skyltar byts ut mot delar som specificerats av tillverkaren eller återförsäljaren. En lista över auktoriserade reparationsverkstäder finns tillgänglig hos tillverkaren eller återförsäljaren. Kontakta dem för hjälp.

Alla produkter som verkar vara skadade på något sätt, är slitna eller fungerar onormalt SKA TAS UR DRIFT TILLS DE REPARERATS. Vi rekommenderar att alla nödvändiga reparationer utförs av en reparationsverkstad som är auktoriserad av tillverkaren eller återförsäljaren om tillverkaren eller återförsäljaren tillåter reparationer.

Använd endast tillbehör och/eller adapterar tillhandahållna av tillverkaren.

Designen har validerats enligt: ASME ASP-2010

## 7. Deklaration om överensstämmelse

Vi i: **CHICAGO PNEUMATIC Tool Co. LLC, 1815 Clubhouse Road, Rock Hill, SC 29730 - USA**

Förklarar att maskinen: **CP86750/CP86100** Serie: 00001 till 99999

Maskintyp: **Hydraulpress** Produktens ursprung: **Kina**

överensstämmer med kraven i Ministerrådets direktiv om harmonisering av medlemsstaternas lagar rörande: "maskiner" **2006/42/EC (17/05/2006)**

tillämpliga harmoniserade standarder: **EN 13736 : 2003 + A1 : 2009**

Utfärdarens namn och befattning: **Pascal Roussy (R&D Manager)**



Plats & datum: **Saint-Herblain, 10/04/2020**

Teknisk fil tillgänglig från EU:s huvudkontor. Nicolas Lebreton R&D manager CP Technocenter 38, rue Bobby Sands - BP10273 44800 Saint Herblain - France

Originalinstruktionerna är på engelska. Övriga språk är en översättning av de ursprungliga instruktionerna.

## Copyright 2020, Chicago Pneumatic Tools

Alla rättigheter förbehålls. All icke auktoriserad användning eller kopiering av innehållet eller del därav är förbjudet. Detta gäller speciellt för varumärken, modellbenämningar, artikelnummer och ritningar. Använd endast auktoriserade delar. All skada eller felaktig funktion orsakat av användning av icke auktoriserade delar täcks ej av garanti eller produktansvarighet.

## 1. Tekniske Data (Se tal 1.)

Mål	Vægt	kapacitet	Luftryk	A	B	C	F	E
Enhed	[kg]	[kg]	[bar]	[mm]	[mm]	[mm]	[mm]	[mm]
CP86750	498	75000	7.5-8.5	1140	800	1840	245	800
CP86100	766	100000	7.5-8.5	1200	990	1830	300	787

Mål	F1	F2	R(Slag)	M	Voil	Det hydrauliske systems tryk	Lydtryk	Lydeffekt	Usikkerhed K
Enhed	[mm]	[mm]	[mm]	[mm]	[l]	[MPa]	[dB(A)]	[dB(A)]	
CP86750	170	884	250	260	4.5	59.92	75.4	91.1	4.8
CP86100	114	814	300	235	5.6	63.69	75.4	91.1	4.8

Statisk testkoefficient: 1.5 / Dynamisk testkoefficient: 1.25 .

Alle værdier er dags dato for denne publicering. For nyeste information besøg [www.cp.com](http://www.cp.com).

**Bekendtgørelse for støj og vibrationer** : De opgivne værdier blev målt ved tests i et laboratorium i henhold til de opgivne standarder, og kan sammenlignes med data for andre værktøjer testet i henhold til samme standarder. De opgivne data er ikke tilstrækkelige til brug ved risikovurderinger, og værdier målt på individuelle arbejdspladser kan være højere. Den aktuelle påvirkning og risiko for skader der opleves af en individuel bruger er unik, og afhænger af den måde brugeren arbejder, det bearbejdede emne, arbejdspladens indretning, samt tiden for påvirkningen og brugernes fysiske kondition. Vi, CHICAGO PNEUMATIC TOOLS, kan ikke holdes ansvarlig for konsekvenserne ved anvendelse af de opgivne værdier, i stedet for de værdier der viser de aktuelle påvirkninger, ved individuelle risikovurderinger for arbejdspladser, som vi ikke har kontrol over. Dette værktøj kan forårsage hånd-arm vibrationssyndrom, hvis det ikke er håndteret korrekt. En EU-vejledning vedrørende hånd-arm vibrationer findes på [www.pneurop.eu/uploads/documents/pdf/IN3-02-NV\\_Declaration\\_info\\_sheet\\_0111.pdf](http://www.pneurop.eu/uploads/documents/pdf/IN3-02-NV_Declaration_info_sheet_0111.pdf) Vi anbefaler et program for helbredsovervågning for at afsløre tidlige symptomer, der kan hidrøre fra påvirkninger af støj og vibrationer, således at arbejdsprocedurer kan tilpasses for at forhindre fremtidige påvirkninger.

## 2. Maskintype

- Enhederne, beskrevet her, er manuelt betjent med luft/hydraulisk support (option), der leverer tryk til emner med formålet at samle eller adskille disse.
- For korrekt brug af pressen, overskrid aldrig den maksimale kapacitet, og tilføj aldrig mere tryk end nødvendigt.
- Ingen anden form for anvendelse er tilladt. Kun til professionel brug.
- Bemærk også produktets sikkerhedsinformation!

## 3. Montage

Tag de bolte, skiver fra alle dele før montering.

- Før første brug af pressen er det nødvendigt at pakke ud, montere fødder, bordet og manometeret. Disse operationer kan udføres i forskellige stillinger, men glem ikke, at disse tunge dele kræver assistance af andre, eller brug af mekaniske hjælpemidler.
- Fødderne monteres til chassiset med de medfølgende skruer, og bordene til de to B-akser i Fig. 2, som tidligere var placeret i søjlernes åbninger, i henhold til den valgte arbejds højde Fig. 2. Monter basissektionen og understøt til venstre og højre forbindelsesplade ved brug af bolt, spændeskive, låseskive og møtrik.
- Flyt pumpeasamlingen, Fig. 7 (CP86750), Fig. 09 (CP86100), til den udvendige post, brug bolt og spændeskive, som nu er frigjort, til at skrue den fast på den højre forbindelsesplade.
- Placering af manometeret: Manometeret bør placeres på den hydrauliske enhed, som er placeret på pressen øverste del Fig. 06. Fjern metaldækslet, placer manometeret og sikr, at O-pakningsringen der sidder inde i manometerhuset forbliver på plads under installationen.
- Saml oliestange : Fig.08 ( CP86750 ) , Fig.10 , Fig.11 ( CP86100 ) .
- Ved flytning af maskinen, sørg for at anvende det rigtige løfteudstyr, og følg instruktionerne som vist på Fig. 02.

**⚠ Caution** Der skal holdes et arbejdsområde på 1 m frit foran og bagved maskinen, mens den er i drift, så den altid er nemt tilgængelig.

Udrens luft fra det hydrauliske system:

- Åbn bagskydeventilen ved at dreje den i retning mod uret, og åbn udluftningsventilen, Fig. 07.
- Pump den hydraulisk enhed adskillige gange. Drej herefter bagskydeventilerne helt til, i retning med uret. Den hydrauliske enhed er klar til brug.

## 4. Betjening

**⚠ WARNING** Fastspænd maskinen med bolte til gulvet inden første ibrugtagning. Man skal sikre, at overfladen, hvor maskinen placeres, er fast og vandret, og der er sikret en tilstrækkelig belysning.

**⚠ WARNING** For at reducere risikoen for tilskadekomst, læs og forstå de separat leverede sikkerhedsinstruktioner, og sikkerhedsinformationen på pressen Fig. 16.

**⚠ WARNING** Efter brug af pressen, sørg for, at stempet er helt tilbagetrukket.

**⚠ WARNING** Sikr, at bordet er i en korrekt position, og lås bordet fast med splitterne. Placer V-blokken på bordet, Fig. 02, indsæt så arbejdsområdet i V-blokken.

- V-blokken skal bruges ved par, ikke enkeltvis!
- Kun én person må betjene pressen.

### 4.1 Operation Instruktion til CP86750

- Luk bagskydeventilerne, Fig. 07, ved at dreje dem med uret indtil de er helt lukket.
- Pump håndtaget/fodpedalen indtil den takkede sadel er nær arbejdsområdet.
- Juster arbejdsområde og pressehoved for at sikre centerbelastning.
- Pump håndtaget/fodpedal for at sætte tryk på arbejdsområdet (se værdien på manometeret).
- Når arbejdet er udført, stop med at pumpe håndtaget/fodpedal, fjern langsomt og forsigtigt trykket fra arbejdsområdet ved at dreje bagskydeventilen i retning mod uret i små intervaller. (Skal drejes i en lille vinkel, størst er to omdrejninger)
- Fjern arbejdsområdet fra bordet når pressehovedet er helt tilbagetrukket.



#### 4.2 Operation Instruktion til CP86100

##### 4.2.1 To betjeningsmåder:

- Manuel betjening: Indsæt rørhåndtaget (50) i håndtagsmuffen. Der medfølger 2 håndtagsmuffer. Den øverste (31) er til højt tryk og lav hastighed. Den nederste (50) til lavt tryk og hurtigere hastighed. Fig. 12

- Betjening med luft: Tryk pedalventilen til luft ned (61, Fig. 08)

##### 4.2.2 Stempeltilbagetrækning og -udskydning

- 3 positioner for håndtaget til vælgerventil: Når det er i position 1, vil stempelstangen tilbagetrækkes. Når det er i position 1, stoppe bevægelse. Når det er i position 1, udskydning. Fig. 13.

##### 4.2.3 Betjening

- Drej håndtaget til position 3, tryk derefter luftpedalventilen ned, hvorved stempelstangen hurtigt vil skydes ud. Advarsel: Betjen den ALDRIG samtidigt (Manuelt lavt tryk) manuelt.

- Skift til manuel betjening, når den takkede sadel kommer tæt på arbejdsområdet.

- Juster arbejdsområdets position for at sikre, at arbejdsområdet og stempelstangen er korrekt på linje.

- Begynd at trykke på arbejdsområdet. Indsæt håndtagsrøret i højtryksmuffen (P31) og pump håndtagsrøret, hvorved stempelstangen langsomt skydes ud, tryk samtidigt på arbejdsområdet. Operatøren kan trykke med luft, eller trykke med luft samtidigt med et manuelt tryk.

- Udløs trykket: Drej håndtaget til position 2, tryk på stempelstangen vil udløses automatisk.

- Tilbagetrækning af stempelstangen: Drej håndtaget til position 1, og drive med fly eller manuelt. Advarsel: Betjen den ALDRIG samtidigt (Manuelt lavt tryk) manuelt.

- Når du er færdig, skal du afbryde luftslangen fra kompressoren og rengøre maskinen.

**⚠ WARNING** Overskrid ikke grænsen for belastning / rammevognens normerede belastningsevne.

**⚠ WARNING** Kontroller at operatøren anvender beskyttelsesbeklædning, handsker, sikkerhedshjelm, sko og høreværn under betjeningen.

**⚠ WARNING** Vær altid opmærksom på igangværende arbejde med maskinen for at undgå ulykker. Vær også altid fokuseret på det igangværende arbejde.

**⚠ WARNING** Dette produkt og dets tilbehør må ikke ændres.

## 5. Vedligeholdelsesinstruktioner

**⚠ Caution** Beskadig/deformer ikke produktet. Hvis der opstår usædvanlig støj eller vibration, stop øjeblikkelig brug. Inspicer dernæst og bed fabrikanten om hjælp. Det anbefales, at denne inspektion foretages på fabrikantens eller leverandørens autoriserede værksted.

**⚠ Caution** Den største enkelte årsag til fejl i hydrauliske enheder er snavs. Hold værkstedsdonkraften ren og velsmurt for at forhindre at der kommer fremmedlegemer ind i systemet. Hvis donkraften har været udsat for regn, sne eller grus, skal den rengøres inden brug. Opbevar donkraften med stemplet helt tilbagetrøkket på et godt beskyttet sted, hvor den ikke udsættes for ætsende dampe, slibende støv eller andre skadelige elementer.

Kontroller produktets tilstand regelmæssigt.

Opmagasiner produktet i tørre og korrosionsfrie omgivelser.

Ejere og/eller operatører bør være opmærksom på, at reparation af dette udstyr kan kræve specialiseret viden og faciliteter. Det anbefales at lade fabrikantens eller leverandørens autoriserede værksted foretage et årligt eftersyn og udskifte defekte dele, skilte eller sikkerhedsmærkater med fabrikantens eller leverandørens specificerede dele. Fabrikant eller leverandør har en liste over autoriserede serviceværksteder. Ring til dem for hjælp.

Et hvert produkt der, på nogen som helst måde, ser ud til at være beskadiget, ser slidt ud, eller som ikke fungerer normalt, SKAL TAGES UD AF DRIFT INDTIL DET ER REPARERET. Det anbefales, at nødvendige reparationer udføres af fabrikantens eller leverandørens autoriserede værksted, hvis reparation tillades af fabrikant eller leverandør.

Brug kun tilbehør og / eller adaptere leveret af fabrikanten.

Designet er valideret efter: ASME ASP-2010

## 7. Overensstemmelseserklæring

Vi: **CHICAGO PNEUMATIC Tool Co. LLC, 1815 Clubhouse Road, Rock Hill, SC 29730 - USA**

erklærer at produktet/produktene: **CP86750/CP86100** Serie: 00001 til 99999

Maskintype: **Hydraulisk tryk** Produktets oprindelse: **Kina**

er i overensstemmelse med kravene i Rådets Direktiv vedr. tilnærmede mellem medlemslandenes love for: „Maskiner“ **2006/42/EC (17/05/2006)** gældende harmoniserede standard(er): **EN 13736 : 2003 + A1 : 2009**

Udstederens navn og stilling: **Pascal Roussy (R&D Manager)**

Sted & Dato: **Saint-Herblain, 10/04/2020**



Teknisk fil er tilgængelig fra Eu's hovedkvarter Nicolas Lebreton R&D manager CP Technocenter 38, rue Bobby Sands - BP10273 44800 Saint Herblain - France

Originale instruktioner er på engelsk. Andre sprog er en oversættelse af de oprindelige instruktioner.

## Copyright 2020, Chicago Pneumatic Tools

Alle rettigheder forbeholdes. Al uautoriseret brug eller kopiering af indholdet eller dele deraf er forbudt. Dette gælder specielt varemærker, modelangivelser, reservedelnumre og tegninger. Brug kun autoriserede reservedele. Skade eller funktionsfejl, som er forårsaget af anvendelse af uautoriserede dele, er ikke dækket af nogen garanti eller produktansvar.

## 1. Tekniske data (Se tall 1.)

Dimensjon	Vekt	kapasitet	Luftrykk	A	B	C	F	E
Enhet	[kg]	[kg]	[bar]	[mm]	[mm]	[mm]	[mm]	[mm]
CP86750	498	75000	7.5-8.5	1140	800	1840	245	800
CP86100	766	100000	7.5-8.5	1200	990	1830	300	787

Dimensjon	F1	F2	R(Slaglengde)	M	Voil	Trykk i hydraulisk system	Lydtrykk	Lydeffekt	Usikkerhet K
Enhet	[mm]	[mm]	[mm]	[mm]	[l]	[MPa]	[dB(A)]	[dB(A)]	
CP86750	170	884	250	260	4.5	59.92	75.4	91.1	4.8
CP86100	114	814	300	235	5.6	63.69	75.4	91.1	4.8

Statisk testkoeffisient: 1.5 / Dynamisk testkoeffisient: 1.25 .

Alle verdier er gyldige på publiseringstidspunktet. Du finner den seneste oppdaterte informasjonen på [rodcraft.com](http://rodcraft.com).

**Samsvarserklæring for støy og vibrasjonsutslipp :** De angitte verdiene ble oppnådd i tester som brukes i laboratorier i henhold til oppgitte standarder og kan benyttes ved sammenligning med oppgitte verdier for annet verktøy som er testet i henhold til de samme standardene. Disse oppgitte verdiene er ikke tilstrekkelige til risikovurderinger, og verdimalinger på den enkelte arbeidsplass kan være høyere. De faktiske eksponeringsverdiene og risiko for skade som oppleves av en enkelt bruker er unike og avhenger både av måten vedkommende arbeider, arbeidsstykket og arbeidsplassens utforming og eksponeringstid og brukerens fysiske tilstand. Vi, CHICAGO PNEUMATIC TOOLS, kan ikke holdes ansvarlige for konsekvenser av bruk av de oppgitte i stedet for verdier som reflekterer faktisk eksponering i en individuell risikovurdering i en arbeidssituasjon på arbeidsplasser som vi ikke har kontroll over. Verktøyet kan forårsake hånd/armvibrasjonssyndrom hvis bruken ikke er tilfredsstillende kontrollert. En EU-veiledning for kontroll av hånd/armvibrasjon finnes på [www.pneurop.eu/uploads/documents/pdf/PN3-02-NV\\_Declaration\\_info\\_sheet\\_0111.pdf](http://www.pneurop.eu/uploads/documents/pdf/PN3-02-NV_Declaration_info_sheet_0111.pdf). Vi anbefaler at bedriftshelsetjenesten gjennomfører et program for å avdekke tidlige tegn på vibrasjonseksponering, slik at prosedyrene kan endres for å bidra til å unngå fremtidige skader.

## 2. Maskintype

- Enheten som beskrives her drives manuelt med lufthydraulisk støtte (ekstrautstyr), som tilfører trykk til deler for montering eller demonte-ring.
- For god bruk av pressen må aldri den maksimale maksimumkapasiteten overskrides og det må aldri brukes mer trykk enn nødvendig.
- Bare for profesjonell bruk.
- Vennligst følg produktsikkerhetsinformasjonen!

## 3. Monteringsinstruksjon

Ta av bolter, skiver fra alle deler før montering.

- Før første gangs bruk av pressen er det nødvendig å pakke ut og montere føtter, bordet, og trykkmåleren. Disse operasjonene kan utføres i forskjellige stillinger, men glem aldri at dette er tunge elementer som krever hjelp av andre eller bruk av mekaniske hjelpemidler.
- Bena festes til understelet med de medfølgende skruene, og bordene til de to B-aksene, se Fig.02 som tidligere er plassert på utsiden av søylene i henhold til valgt arbeidshøyde. Fig.02 Koble til baseseksjonen og støtte til venstre og høyre tilkoblingsplate ved bruk av skruer, skiver, låseskive og mutter
- Beveg pumpeenheten, Fig.07 ( CP86750 ), Fig.09 ( CP86100 ), til utsiden av stolpen, bruk skrue og skive til å feste på den høyre tilkoblingsplaten.
- Plassering av manometer: Manometeret må plasseres på den hydrauliske enheten, som befinner seg på den øvre delen av pressa. Fig.06 Fjern metalldekslet, posisjon manometeret, påse at O-ringpakningen som befinner seg på innsiden av manometerhuset forblir på bunnen ved montering.
- Monter oljeslangen : Fig.08 ( CP86750 ), Fig.10 ,Fig.11 ( CP86100 ).
- I forbindelse med flytting av maskinen må det brukes korrekt løfteutstyr og instruksjonene som vises i Fig.02 må følges.

**⚠ Caution** Ha fritt arbeidsområde på 1 m både foran og bak maskinen når den er i drift, så den alltid er lett tilgjengelig.

Fjern luft fra hydraulikksystemet:

- Åpne løseventilen ved å dreie den til venstre, og åpne luftenventilen, Fig.07.
- Deretter må den hydrauliske enheten pumpes flere ganger. Deretter dreies løseventilen en hel omdreining mot høyre. Den hydrauliske enheten er nå klar til bruk.

## 4. Drift

**⚠ WARNING** Før første gangs bruk må maskinen festes til gulvet med ankerbolt. Det må påses at overflaten der maskinen står er fast og horisontal, og at det er tilfredsstillende god belysning.

**⚠ WARNING** For å redusere risikoen for skade, les og forstå den medfølgende sikkerhetsinstruksjonen og sikkerhetsinformasjonen som er festet til pressa Fig.16.

**⚠ WARNING** Etter bruk av pressa må stempet trekkes helt tilbake.

**⚠ WARNING** Påse at bordet er i korrekt posisjon og lås bordet med medfølgende pinner. Plasser V-blokken på bordet, Fig.02, deretter plasseres arbeidsstykket i Vblokken.

- V-blokken må brukes i par, ikke enkeltvis!
- Bare én person har lov til å operere pressen.

### 4.1 Operation Instruction for CP86750

- Steng løseventilene, Fig.07, ved å dreie dem mot høyre inntil de er helt stengt.
- Pump hånd/fof-pedalen inntil sagtannet sal nærmer seg arbeidsstykket.
- Still opp arbeidsstykke og driver for å sikre sentrert trykk.
- Pump hånd/fof-pedalen for å sette trykk mot arbeidsstykket (se nummerne i trykkmåleren).
- når arbeidet er utført stanses pumping med hånd/fof-pedalen sakte og trykket mot arbeidsstykket fjernes forsiktig ved å dreie løseventilen mot venstre i små trinn (ventilene må ha en liten bevegelse, en stor dreining av ventilen vil være for mye se Fig 17).
- Så snart drivere er trukket helt tilbake, fjern arbeidsstykket fra bordet.

## 4.2 Operation Instruction for CP86100

## 4.2.1 To driftsmåter:

• Manuell drift: Sett rørhåndtaket (50) inn i håndtaksokkelen. Det er 2 håndtaksokler. Den øvre (31) for høyt trykk og lav hastighet, den nedre (43) for lavt trykk og høy hastighet. Fig.12

• Luftdrift: Trykk ned fotventilen (61, Fig.08)

## 4.2.2 Stempel frem og tilbake

• 3 posisjoner for valg av ventil med spaken: I posisjon 1 trekkes stempelstangen tilbake. I posisjon 2 Stanser bevegelse. I posisjon 3 går frem. Fig.13.

## 4.2.3 Drift

• Vri spaken til posisjon 3, trykk ned fotventilen og stempelstangen går raskt frem. Advarsel: ALDRI manuell drift (Manuelt lavt trykk) samtidig.

• Når det taggete salstykke er nær arbeidsstykket, skift til manuell drift.

• Juster posisjonen til arbeidsstykket slik at arbeidsstykket og stempelstangen står på linje.

• Start pressing av arbeidsstykket. Sett rørhåndtaket inn i høytrykksokkelen (P31) og pump rørhåndtaket, stempelstangen går langsomt fremover og presser på arbeidsstykket. Operatør kan presse med luft, eller luft og manuell samtidig.

• Slipp ut trykket: Vri spaken til posisjon 2, trykket på stempelstangen utløses automatisk.

• Tilbaketrekking av stempelstangen: Vri spaken til posisjon 1, og drive med fly eller manuell. Advarsel: ALDRI manuell drift (Manuelt lavt trykk) samtidig.

• Når fullført, kobler luftslangen fra kompressoren og rengjør maskinen.

**⚠ WARNING** Ikke overskrid grensen for arbeidslast / nominell kapasitet for trallen.

**⚠ WARNING** Pass på at operatøren bruker verneklær, hansker, vernehjelm, vernesco og hørselsvern under drift.

**⚠ WARNING** For å unngå ulykker, vær alltid klar over pågående arbeid på maskinen. Ha også alltid fokus på jobben som skal gjøres.

**⚠ WARNING** Dette produktet og dets tilbehør må ikke bli modifisert.

## 5. Vedlikeholdsinstruksjoner

**⚠ Caution** Ikke bruk skadet/deformert produkt. Oppstår unormal støy eller vibrasjoner, stans bruk umiddelbart, inspisér og be produsenten om hjelp. Det anbefales at denne inspeksjonen gjøres av produsentens eller leverandørens autoriserte verksted.

**⚠ Caution** Den vanligste enkeltårsak til feil i hydrauliske enheter er smuss. Hold servicejekken ren og godt smurt for å forhindre at fremmedlegemer kommer inn i systemet. Hvis jekken har vært utsatt for regn, snø, sand eller grus, må den rengjøres før den brukes.

Oppbevar jekken med stemplene trukket helt inn på et godt beskyttet område der den ikke blir utsatt for etsende damp, slipestøv eller andre skadelige elementer.

Kontroller periodisk produktets tilstand.

Lagre produktet i et tørt og ikke-korroderende miljø.

Eiere og/eller operatører må være oppmerksomme på at reparasjon av dette utstyret kan kreve spesialiserte kunnskaper og fasiliteter. Det anbefales at årlig inspeksjon av produktet gjøres av produsentens eller leverandørens autoriserte verksted, og at eventuelle defekte deler, klistremerker, sikkerhetsmerker eller -skilt byttes ut med produsentens eller leverandørens spesifiserte deler. En liste over godkjente reparasjonsfasiliteter er tilgjengelig fra produsenten eller leverandøren, ring for hjelp.

Ethvert produkt som ser ut til å være skadet, er slitt eller opererer unormalt SKAL TAS UT AV TJENESTE INNTIL DET ER REPARERT. Det anbefales at nødvendige reparasjoner utføres på produsentens eller leverandørens autoriserte verksted hvis reparasjon er tillatt av produsent eller leverandør.

Bare tilbehør og/eller adaptorer levert av produsenten skal benyttes.

Utformingen er validert i henhold: ASME ASP-2010

## 7. Samsvarserklæring

Vi: **CHICAGO PNEUMATIC Tool Co. LLC, 1815 Clubhouse Road, Rock Hill, SC 29730 - USA**

Erklærer at produktet/produktene: **CP86750/CP86100** Serienummer: 00001 til 99999

Maskintype: **Hydraulikktrykk** Produktets opprinnelse: **Kina**

er i overensstemmelse med kravene i direktiver vedr. tilnærmede mellom medlemslandenes lover for: «Maskiner» **2006/42/EC (17/05/2006)**

Harmoniserende standarder som er anvendt: **EN 13736 : 2003 + A1 : 2009**

Utsteders navn og stilling: **Pascal Roussy (R&D Manager)**



Sted og dato: **Saint-Herblain, 10/04/2020**

Teknisk fil er tilgjengelig fra EU-hovedkontoret. Nicolas Lebreton R&D manager CP Technocenter 38, rue Bobby Sands - BP10273 44800 Saint Herblain - France

Originale instruksjoner er på engelsk. Andre språk er en oversettelse av de originale instruksjonene.

## Copyright 2020, Chicago Pneumatic Tools

Med enerett. Uautorisert bruk eller ettertrykk av innholdet eller deler av dette, er forbudt. Dette gjelder særlig varemerker, modellbetegnelser, delenumre og tegninger. Bruk bare originaldeler. Skade eller funksjonsfeil forårsaket av at det er brukt uoriginale deler dekkes ikke av garantien eller Chicago Pneumatics produktansvar.

**1. Tekniset tiedot (Katso kuvia 1.)**

Ulkomitat	Paino	kapasiteetti	Ilmanpaine	A	B	C	F	E
Yksikkö	[kg]	[kg]	[bar]	[mm]	[mm]	[mm]	[mm]	[mm]
CP86750	498	75000	7.5-8.5	1140	800	1840	245	800
CP86100	766	100000	7.5-8.5	1200	900	1830	300	787

Ulkomitat	F1	F2	R (Iskunpituus)	M	Voili	Hydrauliikkajärjestelmän paine	Äänenpaine	Äänen voimakkuus	Epävarmuus K
Yksikkö	[mm]	[mm]	[mm]	[mm]	[l]	[MPa]	[dB(A)]	[dB(A)]	
CP86750	170	884	250	260	4.5	59.92	75.4	91.1	4.8
CP86100	114	814	300	235	5.6	63.69	75.4	91.1	4.8

Staattinen testikerroin: 1.5 / Dynaaminen testikerroin: 1.25 .

Kaikki arvot ovat voimassa tämän julkaisun päivämääränä. Katso uusimmat tiedot osoitteesta [www.cp.com](http://www.cp.com).

**Melupäästö- ja värähtelyvakuutus** : Tässä ilmoitetut arvot on saatu mainittujen normien mukaisissa laboratoriotesteissä, ja niitä voidaan verrata samojen normien mukaisesti testattujen muiden työkalujen ilmoitettuihin arvoihin. Ilmoitetut arvot eivät sovellu riskien arviointiin, ja yksittäisissä työpisteissä mitatut arvot voivat olla selosteessa mainittuja arvoja suuremmat. Todelliset altistusarvot ja yksilöön kohdistuvat haitalliset vaikutukset ovat yksilöllisiä. Ne riippuvat työskentelytavasta, työsetävästä kappaleesta, työaseman rakenteesta, altistusajasta ja käyttäjän terveydentilasta. Sen vuoksi CHICAGO PNEUMATIC TOOLS ei voi olla vastuussa tässä ilmoitettujen arvojen käytöstä (todellisten altistusarvojen sijasta) työpisteessä vallitsevan yksilöllisen riskin määrittämiseen ja siitä aiheutuvista seuraamuksista olosuhteissa, joihin emme voi millään tavalla vaikuttaa. Tämä työkalu saattaa aiheuttaa käden ja käsivarren HAV-oireyhtymän ellei sitä käytetä ohjeiden mukaisesti. EU-ohje HAV-oireyhtymän käsittelemiseksi löytyy osoitteesta [www.pneurop.eu/uploads/documents/pdf/PN3-02-NV\\_Declaration\\_info\\_sheet\\_0111.pdf](http://www.pneurop.eu/uploads/documents/pdf/PN3-02-NV_Declaration_info_sheet_0111.pdf) Suositamme säännöllisiä terveystarkastuksia tärinäaltistuksen aiheuttamien, lämpöasirauteen viittaavien oireiden havaitsemiseksi ajoissa, jotta työhönjauksella ja työympäristöön vaikuttavilla toimilla voidaan estää oireiden paheneminen tulevaisuudessa.

**2. Koneen tyyppi (tyypit)**

- Tässä kuvatut laitteet toimivat manuaalisesti tai oinaspumpun avulla (valinnainen) ja painavata osia kokoamista tai purkamista varten.
- Jotta prässä toimii oikein, älä koskaan ylitä enimmäiskapasiteettia, äläkä käytä tarpeettoman suurta painetta.
- Käyttö muuhun tarkoitukseen on kielletty. Vain ammattikäyttöön.
- Huomioi myös tuotteen turvallisuustiedot!

**3. Asennusohje**

Riisi pultit, aluslevyt kaikki osat ennen kokoamista.

- Ennen prässin ensimmäistä käyttökertaa se on purettava pakkauksestaan sekä kiinnitettävä jalat, pöytätaaso ja painemittari. Nämä toimenpiteet voidaan tehdä eri asennoissa, varmistaen, että muista etä osat ovat painavia, joten niihin tarvitaan muiden apua tai mekaanisia apuvälineitä.
- Jalat kiinnitetään runkoon mukana toimitettavilla ruuveilla. Pöydät kiinnitetään Kuvan 02 kahteen B-akseliin, jotka on asetettu pylväiden lähtöihin valitun työkorkeuden mukaisesti. Kuva 02. Kiinnitä jalusta ja tuki vasempaan ja oikeaan kytkentälevyyn pultilla, aluslevyllä, lukkoaluslevyllä ja mutterilla.
- Siirrä pumppukokoonpano, Kuva 07 ( CP86750 ), Kuva 09 ( CP86100 ), pylvään ulkopuolelle ja kiristä juuri irrotettu pultti ja aluslevy oikeaan kytkentälevyyn.
- Manometrin asettelu: Manometri tulee asentaa prässin yläosassa olevan hydrauliikkayksikön päälle Kuva 06. Poista metallikuori ja aseta manometri paikalleen, varmistaen, että manometrin kotelon sisällä oleva O-rengastivistä pysyy alhaalla asennuksen yhteydessä.
- Kokoa öljy letku : Kuva.08 ( CP86750 ), Kuva.10 ,Kuva.11 ( CP86100 ).
- Laitetta siirrettäessä muista käyttää oikeita nostolaitteita ja noudata ohjeita kuten kohdassa Kuva 02

**⚠ Caution**

Koneen eteen ja taakse pitää käytön aikana jättää 1 metrin työalue, jotta kone on aina helposti luoksepäästävässä.

Poista ilma hydrauliikkajärjestelmästä:

- Avaa vapautusventili kääntämällä sitä vastapäivään ja avaa sitten ilmausventiili, Kuva 07.
- Pumppaa sitten hydrauliikkayksikköä useita kertoja. Käännä lopuksi vapautusventiileitä myötäpäivään. Hydrauliikkayksikkö on valmiina käyttöön.

**4. Käyttö**

**⚠ WARNING** Ennen ensimmäistä käyttöä kiinnitä kone lattiaan ankkuripultilla. On varmistettava, että laitteen alusta on tukeva ja vaakatasossa, ja että valaistus on riittävä.

**⚠ WARNING** Loukkaantumisaarvan vähentämiseksi lue ja omaksu erilliset turvallisuusohjeet sekä prässäin painetut turvallisuustiedot, Kuva 16.

**⚠ WARNING** Prässin käytön jälkeen pidä mäntä kokoonpainettuna.

**⚠ WARNING** Varmista, että pöytä on oikeassa asennossa ja lukitse pöytä kiinnikkeiden avulla. Aseta V-kappale pöydälle, Kuva 02, ja aseta sitten työkappale V-kappaleen päälle.

- V-tukea pitää käyttää pareittain, ei kappaleittain!
- Paininta saa käyttää vain yksi henkilö.

**4.1 Käyttö-ohjeet CP86750**

- Sulje vapautusventiilit Kuva 07 kääntämällä sitä myötäpäivään kiinni asti.
- Pumppaa kahvaa/jalkapoljinta, kunnes sahalaitainen satula lähestyy työkappaletta.
- Varmista kuormitus keskiokohtaan kohdistamalla työkappale ja junta.
- Kuormita työkappaletta pumppaamalla kahvaa/jalkapoljinta (katso painemittarin lukemaa).
- Kun työ on valmis, lopeta pumppaus kahvaa/jalkapolkimella, poista kuorma työkappaleesta hitaasti ja varovasti kääntämällä vapautusventiiliä vastapäivään vähän kerrallaan.(kierron on oltava pieni, suurin liike kaksi kierrosta, Kuva 17)
- Kun junta on vetäytyänyt, poista työkappale pöydältä.



## 4.2 Käyttö-ohjeet CP86100

## 4.2.1 Kaksi toimintatapaa:

- Manuaalinen käyttö: Aseta kahvan putki (50) kahvan istukoihin. Mukana toimitetaan 2 kahvan istukkaa. Ylempi (31) on tarkoitettu korkealle paineelle ja matalalle nopeudelle, alempi (43) matalalle paineelle ja korkeammalle nopeudelle. Kuva 12.

- Käyttö ilmalla: Paina ilman jalkaventtiilillä (61, Kuva 08)

## 4.2.2 Männän vetäytyminen ja avautuminen

- Valitsinventtiilin kahvassa on 3 asentoa: Asennossa 1 männän varsi vetäytyy. Asennossa 2 lopettaa liikkeen. Asennossa 3 avautuu. Kuva 13.

## 4.2.3 Käyttö

- Käännä kahva asentoon 3 ja paina sitten ilman jalkaventtiilillä. Männän varsi avautuu nopeasti. Varoitus: ÄLÄ KOSKAAN käytä manuaalisesti (manuaalinen matala paine) yhtä aikaa.
- Siirry manuaaliseen käyttöön, kun hammastettu satula lähenee työstettävää kappaletta.
- Säädä työstettävän kappaleen asento niin, että kappale ja männän varsi ovat oikein linjassa.
- Aloita työkappaleen painaminen. Aseta kahvan putki korkeapaineistukseen (P31) ja pumpkaa kahvan putkea, jolloin männän varsi avautuu hitaasti. Paina työkappaletta. Käyttäjää voi painaa joko ilman avulla tai sekä ilman avulla että manuaalisesti.
- Vapauta paine: Käännä kahva asentoon 2 männän varren paine vapautuu automaattisesti.
- Takaisinvento Männänvarren: Käännä kahva asentoon 1 ja toimivat lentäen tai manuaalinen. Varoitus: ÄLÄ KOSKAAN käytä manuaalisesti (manuaalinen matala paine) yhtä aikaa.
- Kun valmis, irrota ilmaletku kompressorin ja puhdista koneen.

**⚠ WARNING** Älä ylitä telineen suurinta sallittua työkuormaa / nimellistnostokkykyä.

**⚠ WARNING** Varmista, että käyttäjällä on yllään suojavarusteet, suojakäsineet, kypärä, turvakengät ja kuulosuojaimet.

**⚠ WARNING** Onnettomuuksien välttämiseksi selvitä aina, onko koneella käynnissä töitä. Keskity myös aina tekemääsi työhön.

**⚠ WARNING** Tätä tuotetta ja sen lisätarvikkeita ei saa muuttaa.

## 5. Huolto-ohjeet

**⚠ Caution** Älä käytä tuotetta, jos se on vahingoittunut tai vääntynyt. Jos epänormaalia melua tai tärinää esiintyy, lopeta käyttö välittömästi, selvitä asia ja pyydä valmistajalta ohjeita. On suositeltavaa antaa tarkastus valmistajan tai toimittajan valtuuttaman korjaamon tehtäväksi.

**⚠ Caution** Suurin yksittäinen hydraulisten laitteiden vikojen aiheuttaja on liika. Pidä nostolaite puhtaana ja hyvin voideltuna, jotta vieraita aineita ei pääse järjestelmän sisään. Jos nostolaite on altistunut sateelle, lumelle, hiekalle tai soralle, se pitää puhdistaa ennen käyttöä. Säilytä nostolaitetta männän kokonaan sisään vedettynä hyvin suojatulla alueella, jossa se ei altistu syövyttävälle höyrylle, hankaavalle pölylle tai muille haitallisille aineille.

Tarkista tuotteen kunto säännöllisesti.

Säilytä tuote kuivassa ympäristössä, joka ei synnytä korroosiota.

Omistajien ja/tai käyttäjien pitää huomioida, että laitteiston korjaamiseen saatetaan vaatia erityisosaamista ja työkaluja. On suositeltavaa, että valmistajan tai toimittajan valtuuttama korjaamo tekee tuotteelle vuosittaisen tarkastuksen, ja että kaikki vialliset osat, tarrat, turvamerkinnot tai kyltit korvataan valmistajan tai toimittajan määräämillä varaosilla. Luettelo valtuutetuista korjamoista on saatavana valmistajalta tai toimittajalta; saat lisäohjeita ottamalla heihin yhteyttä puhelimitse.

Tuote, joka näyttää vialliselta tai jonka havaitaan olevan kulunut tai toimivan epänormaalisti, PITÄÄ POISTAA KÄYTÖSTÄ, KUNNES SE ON KORJATTU. Jos valmistaja tai toimittaja sallii tuotteen korjaamisen, on suositeltavaa, että korjaus annetaan valmistajan tai toimittajan valtuuttaman korjaamon tehtäväksi.

Vain valmistajan toimittamia lisälaitteita ja/tai soveltimia saa käyttää.

Muotoilu on validoitu mukaan: ASME ASP-2010

## 7. Vaatimustenmukaisuusvakuutus

Me: CHICAGO PNEUMATIC Tool Co. LLC, 1815 Clubhouse Road, Rock Hill, SC 29730 - USA

Vakuutamme, että tuote (tai tuotteet): CP86750/CP86100 Sarjanumero: 00001-99999

Koneen tyyppi (tyypit): **Hydrauliikan paine** Tuotteen alkuperä: **Kiina**  
noudattaa neuvoston direktiivejä ja jäsenmaiden lainsäädäntöä koskien koneita. 2006/42/EC (17/05/2006)

sovellettavat harmonisoidut standardit: **EN 13736 : 2003 + A1 : 2009**

Julkaisijan nimi ja asema: **Pascal Roussy (R&D Manager)**

Paikka ja aika: **Saint-Herblain, 10/04/2020**

Tekniset tiedostot ovat saatavana EU-alueen pääkonttorista. Nicolas Lebreton R&D manager CP Technocenter 38, rue Bobby Sands - BP10273 44800 Saint Herblain - France

Alkuperäiset ohjeet ovat englanninkieliset. Muut kielet on käännetty alkuperäisistä ohjeista.

## Copyright 2020, Chicago Pneumatic Tools

Kaikki oikeudet pidätetään. Sisällön luvaton käyttö tai kopiointi kokonaan tai osittain on kielletty. Tämä koskee erityisesti tavaramerkkejä, mallinimikkeitä, osanumeroita ja piirustuksia. Käytä vain alkuperäisiä varaosia. Takuu tai tuotevastuu ei kata vahinkoja, jotka ovat syntyneet käytettäessä muita kuin alkuperäisiä varaosia.

## 1. Dados Técnicos (Ver figuras 1.)

Dimensões	Peso	capacidade	Pressão Do Ar	A	B	C	F	E
Unidade	[kg]	[kg]	[bar]	[mm]	[mm]	[mm]	[mm]	[mm]
CP86750	498	75000	7.5-8.5	1140	800	1840	245	800
CP86100	766	100000	7.5-8.5	1200	990	1830	300	787

Dimensões	F1	F2	R(Impulso)	M	Voil	Pressão do sistema hidráulico	Pressão sonora	Potência de Som	Incerteza K
Unidade	[mm]	[mm]	[mm]	[mm]	[l]	[MPa]	[dB(A)]	[dB(A)]	
CP86750	170	884	250	260	4.5	59.92	75.4	91.1	4.8
CP86100	114	814	300	235	5.6	63.69	75.4	91.1	4.8

Coefficiente de Teste Estático: 1.5 / Coeficiente de Teste Dinâmico: 1.25.

Todos os valores são atuais até à data desta publicação. Para informação mais recente, visite [www.cp.com](http://www.cp.com).

**Declaração de ruído e emissão de vibrações** : Os valores declarados foram obtidos por testes de tipo laboratorial de acordo com as normas indicadas e são adequados para a comparação com os valores declarados de outras ferramentas testadas de acordo com as mesmas normas. Estes valores declarados não são adequados para a utilização em avaliações de risco, e os valores medidos em locais de trabalho podem ser superiores. Os valores atuais de exposição e de risco de danos experimentados por um utilizador individual são únicos e dependem da forma como o utilizador trabalha, da peça de trabalho e do design da estação de trabalho, assim como do período de exposição e da condição física do utilizador. Nós, CHICAGO PNEUMATIC TOOLS, não podemos ser responsabilizados por consequências da utilização dos valores declarados, em vez dos valores que refletem a exposição atual, numa avaliação de risco individual numa situação no local de trabalho na qual não temos qualquer controlo. Esta ferramenta pode provocar síndrome de vibração na mão e braço, se a sua utilização não for devidamente gerida. Pode encontrar um guia da UE para lidar com a vibração da mão e braço em [www.pneurop.eu/uploads/documents/pdf/PN3-02-NV\\_Declaration\\_info\\_sheet\\_0111.pdf](http://www.pneurop.eu/uploads/documents/pdf/PN3-02-NV_Declaration_info_sheet_0111.pdf) Recomendamos um programa de vigilância da saúde para detectar sintomas precoces que possam estar relacionados com a exposição ao ruído ou vibração, de modo a que os procedimentos de gestão possam ser modificados, para ajudar a evitar danos futuros.

## 2. Tipo(s) de máquina

- As Unidades aqui descritas são utilizadas manualmente e com apoio ar/hidráulico (opcional), que aplica pressão nas peças para montagem ou desmontagem.
- Para uma boa utilização da prensa, nunca ultrapasse a capacidade máxima e nunca aplique mais pressão do que a necessária.
- Não é permitida qualquer outra utilização. Apenas para uso profissional.
- Respeite as informações de segurança do produto!

## 3. Instruções de montagem

Tire os parafusos, anilhas de todas as partes antes de montar.

- Antes de utilizar a prensa pela primeira vez, é necessário desembalar, montar os pés, a mesa e o manómetro de pressão. Estas operações podem ser realizadas em diferentes posições, mas deve ter sempre em conta que estes elementos pesados requerem a assistência de terceiros ou o uso de meios mecânicos.
- Os pés são fixos ao chassis através dos parafusos fornecidos, e as mesas aos dois eixos B indicados na Fig.02, que foram previamente posicionados na parte exterior das colunas de acordo com a altura de trabalho escolhida Fig.02. Fixe a secção de base e o suporte à placa de ligação esquerda e direita utilizando um parafuso, uma anilha, uma anilha de travamento e uma porca
- Mova a bomba equipada, Fig.07 ( CP86750 ), Fig.09 ( CP86100 ), para o exterior da coluna, utilize o parafuso e a anilha que acabou de retirar para apertar bem a placa de ligação da direita.
- Posicionamento do manómetro: O manómetro deve ser posicionado na unidade hidráulica, localizada na parte superior da prensa Fig.06. Retire a tampa de metal, posicione o manómetro, certificando-se de que o anel de ligação em O no interior da caixa do manómetro permanece na parte inferior após a instalação.
- Montar a mangueira de óleo : Fig.08 ( CP86750 ), Fig.10 ,Fig.11 ( CP86100 ).
- Ao deslocar a máquina, certifique-se de que utiliza o equipamento de elevação apropriado e de que segue as instruções ilustradas na Fig.02

**⚠ Caution** Tem de ser mantida uma área de trabalho de 1 m desobstruída à frente e atrás da máquina, enquanto está em funcionamento , pelo que seja sempre fácil aceder à mesma.

Purgue o ar do sistema hidráulico:

- Abra a válvula de descarga, rodando-a no sentido contrário ao dos ponteiros do relógio, e abra a válvula de purga de gás, Fig.07.
- Em seguida, pressione várias vezes a unidade hidráulica. Em seguida, rode totalmente as válvulas de descarga no sentido dos ponteiros do relógio. A unidade hidráulica está pronta a ser utilizada.

## 4. Funcionamento

**⚠ WARNING** Antes da primeira utilização, fixe a máquina ao chão com um parafuso de ancoragem. Assegure-se de que a superfície de suporte da máquina é firme e horizontal e de que existe iluminação suficiente.

**⚠ WARNING** Para reduzir o risco de ferimentos, leia e compreenda as instruções de segurança fornecidas em separado, bem como as instruções de segurança indicadas na prensa Fig.16

**⚠ WARNING** Depois de utilizar a prensa, mantenha o pistão totalmente recolhido.

**⚠ WARNING** Assegure-se de que a mesa se encontra na posição correcta e fixe-a firmemente com os pinos. Coloque o suporte em V sobre a mesa, Fig.02, e, em seguida, introduza a peça de trabalho no suporte em V.

- O bloco-V tem de ser usado aos pares e não às peças!
- Só uma pessoa pode pressionar.

### 4.1 Instrução de Operação para CP86750

- Feche as válvulas de descarga, Fig.07, rodando-as no sentido dos ponteiros do relógio até estarem bem fechadas .
- Pressione o manipulo/pedal até o carro serrilhado se aproximar da peça de trabalho.
- Alinhe a peça de trabalho e a corrediça para garantir um carregamento central.
- Pressione o manipulo/pedal para aplicar carga sobre a peça de trabalho (consulte a numeração no manómetro de pressão).
- Uma vez concluído o trabalho, deixe de pressionar o manipulo/pedal, retire a carga lenta e cuidadosamente da peça de trabalho, rodando a válvula de descarga no sentido contrário ao dos ponteiros do relógio em incrementos pequenos (apenas deve rodar um pouco a válvula, o máximo são duas voltas, Fig.17)
- Assim que a corrediça estiver totalmente recolhida, retire a peça de trabalho da mesa.

#### 4.2 Instrução de Operação para CP86100

##### 4.2.1 Duas formas de funcionamento:

- Funcionamento manual: Insira o tubo da pega (50) nas tomadas da pega. São facultadas duas tomadas da pega. A pega superior (31) serve para alta pressão e baixa velocidade; e a pega inferior (43) serve para baixa pressão e velocidade superior. Fig.12.

- Funcionamento pneumático: Pressione a válvula do pedal pneumático (61, Fig.08)

##### 4.2.2 Retração e extensão dos pistões

- 3 posições para a alavanca da pega da válvula do seletor: Quando está na posição 1, a haste do pistão está a recolher. Quando está na posição 1, a haste do pistão está para de mover. Quando está na posição 1, a haste do pistão está a estender. Fig.13.

##### 4.2.3 Funcionamento

- Gire a alavanca da pega para a posição 3 e pressione a válvula do pedal pneumático e a haste do pistão irá estender rapidamente. Aviso: NUNCA opere manualmente (pressão baixa manual) em simultâneo.
- Quando a sela serrada se aproximada da peça de trabalho, altere para funcionamento manual.
- Ajuste a posição da peça de trabalho para garantir que a peça e a haste do pistão estão devidamente alinhadas.
- Inicie ao premir a peça de trabalho. Insira o tudo da pega na tomada de alta pressão (P31) e bombeie o tubo da pega, a haste do pistão estende lentamente e prima a peça de trabalho. O operador pode premir por ar ou manualmente em simultâneo.
- Libertar a pressão: Gire a alavanca da pega para a posição 2 a pressão na haste do pistão será libertada automaticamente.
- Retração da haste do pistão: Gire a alavanca da pega para a posição 2, e operar por via aérea ou manual. Aviso: NUNCA opere manualmente (pressão baixa manual) em simultâneo.
- Quando completa, desligue a mangueira de ar do compressor e limpar a máquina.

**⚠ WARNING** Não ultrapasse o limite de carga de funcionamento / capacidade nominal do carrinho.

**⚠ WARNING** Certifique-se de que o operador usa vestuário de protecção, luvas, capacete de segurança, sapatos e protectores de ouvidos durante a operação.

**⚠ WARNING** Para evitar acidentes, tenha sempre conhecimento de todos os trabalhos em curso na máquina. Além disso, concentre-se sempre no trabalho a fazer.

**⚠ WARNING** Este produto e os respectivos acessórios não devem ser modificados.

## 5. Instruções de manutenção

**⚠ Caution** Não utilize o produto danificado/deformado. Se ocorrer ruído ou vibração anómalos, pare a utilização imediatamente, em seguida, inspecione e peça ajuda ao fabricante. Recomendamos que essa inspeção seja feita por uma instalação de reparação autorizada pelo fabricante ou fornecedor.

**⚠ Caution** A única maior causa de falha nas unidades hidráulicas é a sujidade. Mantenha o macaco de serviço limpo e bem lubrificado para evitar a entrada de matérias estranhas no sistema. Se o macaco tiver sido exposto à chuva, neve, areia ou cascalho, terá de ser limpo antes de ser usado.

Guarde o macaco, com os pistões totalmente retraídos, numa área bem protegida, onde não fique exposto a vapores corrosivos, pó abrasivo ou quaisquer outros elementos prejudiciais.

Verifique periodicamente a condição do produto.

Guarde o produto num ambiente seco e não corrosivo.

Os proprietários e/ou utilizadores devem estar conscientes de que a reparação deste equipamento pode exigir instalações e conhecimentos especializados. Recomendamos que seja efectuada uma inspeção anual do produto por uma instalação de reparação autorizada pelo fabricante ou fornecedor e que quaisquer peças defeituosas, autocolantes ou rótulos de segurança ou sinais sejam substituídos por peças específicas do fabricante ou fornecedor. Está disponível uma lista de instalações de reparação autorizadas pelo fabricante ou fornecedor, por favor, peça-lhes ajuda.

Qualquer produto que pareça estar danificado de qualquer maneira, se considere estar desgastado, ou funcione de forma anómala DEVE SER RETIRADO DO SERVIÇO ATÉ SER REPARADO. Recomenda-se que as reparações necessárias sejam feitas por uma instalação de reparação autorizada pelo fabricante ou fornecedor se as reparações forem permitidas pelo fabricante ou fornecedor.

Só devem ser utilizados acessórios e/ou adaptadores fornecidos pelo fabricante.

O projeto foi validado de acordo: ASME ASP-2010

## 7. Declaração de conformidade

Nós : **CHICAGO PNEUMATIC Tool Co. LLC, 1815 Clubhouse Road, Rock Hill, SC 29730 - USA**

Declaramos que o(s) produto(s): **CP86750/CP86100** Série: 00001 a 99999

Tipo(s) de máquina: **Pressão hidráulica** Origem do produto: **China**

está em conformidade com os requisitos da Directiva do Conselho, referente às legislações dos Estados-Membros relacionados com : „Maquinaria“ **2006/42/EC (17/05/2006)**

normas harmonizadas aplicáveis: **EN 13736 ; 2003 + A1 ; 2009**

Nome e cargo do emissor: **Pascal Roussy (R&D Manager)**

Local e Data: **Saint-Herblain, 10/04/2020**



Ficheiro técnico disponível na sede da UE. Nicolas Lebreton R&D manager CP Technocenter 38, rue Bobby Sands - BP10273 44800 Saint Herblain - France

As instruções originais estão em Inglês. As outras línguas são uma tradução das instruções originais.

## Copyright 2020, Chicago Pneumatic Tools

Todos os direitos reservados. É proibido o uso não autorizado, qualquer que seja o fim, assim como a cópia total ou parcial. Isto aplica-se particularmente a marcas comerciais, denominações de modelos, números de peças e desenhos. Utilize somente peças autorizadas. A Garantia ou a Responsabilidade pelo Produto não cobrem danos ou o mau funcionamento

**1. Τεχνικά Χαρακτηριστικά (Βλ. σχήματα 1.)**

Διάσταση	Βάρος	χωρητικότητα	πίεση αέρα	A	B	C	F	E
Μονάδα	[kg]	[kg]	[bar]	[mm]	[mm]	[mm]	[mm]	[mm]
CP86750	498	75000	7.5-8.5	1140	800	1840	245	800
CP86100	766	100000	7.5-8.5	1200	900	1830	300	787

Διάσταση	F1	F2	R(Διαδρομή εμβόλου)	M	Voil	Πίεση του υδραυλικού συστήματος	Ηχητική πίεση	Ηχητική ισχύς	Αβεβαιότητα Κ
Μονάδα	[mm]	[mm]	[mm]	[mm]	[l]	[MPa]	[dB(A)]	[dB(A)]	
CP86750	170	884	250	260	4.5	59.92	75.4	91.1	4.8
CP86100	114	814	300	235	5.6	63.69	75.4	91.1	4.8

Στατικός συντελεστής δοκιμής: 1.5 / Δυναμικός συντελεστής δοκιμής: 1.25 .

Όλες οι τιμές ισχύουν από την ημερομηνία της παρούσας δημοσίευσης. Για πιο πρόσφατες πληροφορίες επισκεφτείτε την ιστοσελίδα [www.cp.com](http://www.cp.com).

**Δήλωση ήχου και εκπομπή κραδασμών :** Οι εν λόγω δηλωμένες τιμές λήφθηκαν από δοκιμές εργαστηριακού τύπου σύμφωνα με τα δηλωμένα πρότυπα και είναι κατάλληλες για σύγκριση με τις δηλωμένες τιμές άλλων εργαλείων ελεγμένων σύμφωνα με τα ίδια πρότυπα. Οι εν λόγω δηλωμένες τιμές δεν επαρκούν για χρήση σε εκτιμήσεις επικινδυνότητας και οι τιμές που μετρήθηκαν από ιδιωτικά εργαστήρια μπορεί να είναι υψηλότερες. Οι πραγματικές τιμές έκθεσης και κινδύνου τραυματισμού που μπορεί να αντιμετωπίσει ο χρήστης είναι μοναδικά για τον καθένα και εξαρτώνται από τον τρόπο με τον οποίο εργάζεται ο χρήστης, από το αντικείμενο εργασίας και από το σχεδιασμό του εργαστηρίου, καθώς και από το χρόνο έκθεσης και τη φυσική κατάσταση του χρήστη. Η CHICAGO PNEUMATIC TOOLS δεν φέρει καμία ευθύνη για τις συνέπειες από τη χρήση των δηλωμένων τιμών, αντί των τιμών που αντιπροσωπεύουν την πραγματική έκθεση, σε μια ιδιωτική εκτίμηση επικινδυνότητας σε συνθήκες εργαστηρίου στο οποίο εμείς δεν έχουμε τον έλεγχο. Το παρόν εργαλείο μπορεί να προκαλέσει σύνδρομο τρόμου χεριός, εάν η χρήση του δεν γίνεται με το ασύστο τρόπο. Μπορείτε να βρείτε τις οδηγίες της ΕΕ για τη αντιμετώπιση του τρόμου χεριός στην ηλεκτρονική διεύθυνση [www.pneupor.eu/uploads/documents/pdf/PN3-02-NV\\_Declaration\\_info\\_sheet\\_0111.pdf](http://www.pneupor.eu/uploads/documents/pdf/PN3-02-NV_Declaration_info_sheet_0111.pdf) Συστήσουμε ένα πρόγραμμα πρόληψης υγείας για την έγκαιρη ανίχνευση συμπτωμάτων τα οποία μπορεί να σχετίζονται με την έκθεση σε θόρυβο ή σε κραδασμούς, ώστε να μπορούν να τροποποιηθούν έγκαιρα οι διαδικασίες διαχείρισης για να προληφθεί μελλοντική αναπηρία.

**2. Τύπος(οι) μηχανημάτων**

- Οι μονάδες που περιγράφονται εδώ λειτουργούν χειροκίνητα και με αερο-υδραυλική υποστήριξη (προαιρετικά), και ασκούν πίεση σε εξαρτήματα για σκοπούς συναρμολόγησης ή αποσυναρμολόγησης.
- Για να χρησιμοποιείτε σωστά την πρέσα ποτέ μην υπερβείτε τη μέγιστη πίεση και ποτέ μην ασκείτε μεγαλύτερη πίεση από την αναγκαία.
- Δεν επιτρέπεται καμία άλλη χρήση. Για επαγγελματική χρήση μόνο.
- Παρακαλούμε τηρείτε τις οδηγίες ασφαλείας του προϊόντος!

**3. Οδηγίες τοποθέτησης**

- Βγάλετε τις βίδες, ροδέλες από όλα τα μέρη πριν από τη συναρμολόγηση.
- Πριν θέσετε σε λειτουργία για πρώτη φορά την πρέσα, πρέπει να ανοίξετε τη συσκευασία, να στερεώσετε τα πόδια, το τραπέζι και τον μετρητή πίεσης. Αυτές οι λειτουργίες μπορούν να πραγματοποιηθούν σε διαφορετικές θέσεις, αλλά μην ξεχνάτε ποτέ ότι είναι βαριά στοιχεία για τα οποία χρειάζεται η βοήθεια από άλλους ή η χρήση μηχανικών μέσων.
- Τα πόδια είναι στερεωμένα στο σασί χρησιμοποιώντας τις βίδες που υπάρχουν στη συσκευασία και τα τραπέζια στους δύο άξονες Β της Εικ. 02 που έχουν τοποθετηθεί προηγουμένως στην εξωτερική πλευρά σύμφωνα με το επιλεγμένο ύψος εργασίας Εικ. 02. Προσαρτήστε το τμήμα και το στήριγμα της βίδας στην αριστερή και δεξιά πλάκα σύνδεσης χρησιμοποιώντας βίδα, ροδέλα, ροδέλα ασφάλισης και παξιμάδι.
- Μετακινήστε το συναρμολογημένο τη ανάγνωση, Εικ. 07 (CP86750), Εικ. 09 (CP86100), στο εξωτερικό της ανάγνωσης, χρησιμοποιείτε τις βίδες και τις ροδέλες οι οποίες αποσυναρμολογήθηκαν μόλις τώρα για να περιστρέψετε γερά τη δεξιά πλάκα σύνδεσης.
- Τοποθέτηση του Μανόμετρου: Το μανόμετρο θα πρέπει να τοποθετηθεί στην υδραυλική μονάδα, η οποία βρίσκεται στο επάνω μέρος της πρέσας, Εικ. 07. Βγάλετε το μεταλλικό κάλυμμα, τοποθετήστε το μανόμετρο, διασφαλίζοντας ότι το σφράγισμα του δακτυλίου Ο βρίσκεται στο εσωτερικό του περιβλήματος του μανόμετρου παραμένει στο κάτω μέρος κατά την εγκατάσταση.
- Συνεκτινώνεται σωλήνα πετρελαίου : Εικ.08 ( CP86750 ), Εικ.10, Εικ.11 ( CP86100 ) .
- Κατά τη μετακίνηση του μηχανήματος, βεβαιωθείτε ότι χρησιμοποιείτε τον κατάλληλο εξοπλισμό ανύψωσης και ότι ακολουθείτε τις οδηγίες όπως φαίνεται στην Εικ. 02.

**⚠ Caution** Πρέπει να διατηρείται μία περιοχή εργασίας 1 m χωρίς εμπόδια τόσο μπροστά όσο και πίσω από το μηχάνημα ενώ βρίσκεται σε λειτουργία ούτως ώστε να είναι εύκολα προσβάσιμη.

Κάντε εξαέρωση από το υδραυλικό σύστημα:

- Ανοίξτε τη βαλβίδα αποδέσμευσης γυρίζοντας τη αριστερόστροφα και ανοίξτε τη βαλβίδα εκτόνωσης αέρα, Εικ. 07.
- Κατόπιν, πραγματοποιήστε άντληση στην υδραυλική μονάδα πολλές φορές. Κατόπιν, γυρίστε πλήρως τις βαλβίδες αποδέσμευσης δεξιόστροφα. Η υδραυλική μονάδα είναι έτοιμη προς χρήση.

**4. Λειτουργία**

**⚠ WARNING** Πριν από την πρώτη χρήση, στερεώστε το μηχάνημα στο πάτωμα με μία βίδα ακύρωσης. Πρέπει να διασφαλιστεί ότι η επιφάνεια στήριξης του χώρου του μηχανήματος είναι σταθερή και οριζόνια και ότι παρέχεται επαρκής φωτισμός.

**⚠ WARNING** Για να μειωθεί ο κίνδυνος τραυματισμού, διαβάστε και κατανοήστε τις οδηγίες ασφαλείας και τις πληροφορίες ασφαλείας που διατίθενται που αναφέρονται στην πρέσα Εικ. 16.

**⚠ WARNING** Μετά τη χρήση της πρέσας, διατηρείτε το πιστόνι πλήρως μαζεμένο.

**⚠ WARNING** Βεβαιωθείτε ότι το τραπέζι βρίσκεται στη σωστή θέση και κλειδωθεί με τους πείρους σταθερά. Τοποθετήστε το μπλοκ V στο τραπέζι, Εικ. 02, κατόπιν εισάγετε το εξάρτημα εργασίας στο μπλοκ V.

- Το μπλοκ V πρέπει να χρησιμοποιείται ανά ζεύγη όχι ανά κομμάτι!
- Μόνο σε ένα άτομο επιτρέπεται να λειτουργεί την πρέσα.

**4.1 Οδηγίες λειτουργίας για CP86750**

- Κλείστε τις βαλβίδες αποδέσμευσης, Εικ. 07, γυρίζοντας τις δεξιόστροφα μέχρι να κλείσουν σταθερά.
- Πραγματοποιείτε άντληση από τη λαβή/το ηθδάλιο ποδός μέχρι να πλησιάσει η οδοντωτή επιφάνεια ανύψωσης στο εξάρτημα εργασίας.
- Ευθυγραμμιστείτε το εξάρτημα εργασίας και τον βραχίονα για να διασφαλιστεί η κεντρική φόρτιση.
- Πραγματοποιήστε άντληση με τη λαβή/ηθδάλιο ποδός στο εξάρτημα εργασίας (βλ. αρίθμηση στο μετρητή πίεσης).
- όταν ολοκληρωθεί η εργασία, σταματήστε την άντληση με τη λαβή/ηθδάλιο ποδός, αφαιρέστε αργά και προσεκτικά φορτίο από το εξάρτημα εργασίας γυρίζοντας τη βαλβίδα αποδέσμευσης αριστερόστροφα με μικρά αυξητικά βήματα (πρέπει να γυρίσει με τη μικρή γωνία, το μέγιστο είναι δύο κύκλοι, Εικ. 17)
- Μόλις μαζετείτε πλήρως ο βραχίονας, βγάλετε το εξάρτημα εργασίας από το τραπέζι.



#### 4.2 Οδηγίες λειτουργίας για CP86100

##### 4.2.1 Δυο τρόποι λειτουργίας:

• Χειροκίνητη λειτουργία: Εισάγετε το σωλήνα της λαβής (50) στις υποδοχές της λαβής. Παρέχονται 2 υποδοχές λαβής. Αυτή που βρίσκεται στο πάνω μέρος (31) είναι για υψηλή πίεση και χαμηλή ταχύτητα• και αυτή που βρίσκεται στο κάτω μέρος (43) είναι για χαμηλή πίεση και μεγαλύτερη ταχύτητα. Εικ. 12.

• Λειτουργία με αέρα: Πατήστε τη βαλβίδα ποδιού του αέρα (61,Εικ. 08)

##### 4.2.2 Επαναφορά και επιμηκυνση του εμβόλου

• 3 θέσεις για το μοχλό της λαβής της βαλβίδας του επιλογέα: Όταν βρίσκεται στη θέση 1, το βάκρο εμβόλου επανέρχεται. Όταν βρίσκεται στη θέση 1, το βάκρο εμβόλου σταματάει να κινείται. Όταν βρίσκεται στη θέση 1, το βάκρο εμβόλου επιμηκύνεται. Εικ. 13

##### 4.2.3 Λειτουργία

- Περιστρέψτε το μοχλό της λαβής στη θέση 3, στη συνέχεια, πιέστε τη βαλβίδα ποδιού του αέρα, και η ράβδος του εμβόλου θα επιμηκυνθεί γρήγορα. Προσοχή: Μην κάνετε ΠΟΤΕ χειροκίνητη λειτουργία (Χειροκίνητη Χαμηλή Πίεση) ταυτόχρονα.
- Όταν η οδοντωτή σέλα έλθει κοντά στο εξάρτημα εργασίας, αλλάξτε σε χειροκίνητη λειτουργία.
- Ρυθμίστε τη θέση του εξαρτήματος εργασίας για να βεβαιωθείτε ότι το εξάρτημα εργασίας και η ράβδος του εμβόλου έχουν ευθυγραμμιστεί σωστά.
- Ξεκινήστε να πιέσετε το εξάρτημα εργασίας. Τοποθετήστε το σωλήνα της λαβής στην υποδοχή υψηλής πίεσης (P31) και η αντίλεστε το σωλήνα της λαβής, το βάκρο εμβόλου εκτείνεται αργά και πιέστε το εξάρτημα εργασίας. Ο χειριστής μπορεί να ασκήσει πίεση με αέρα, ή να ασκήσει πίεση με αέρα και χειροκίνητα ταυτόχρονα.
- Απελευθέρωση της πίεσης: Περιστρέψτε το μοχλό της λαβής στη θέση 2. Η πίεση πάνω στη ράβδο του εμβόλου θα απελευθερωθεί αυτόματα.
- Ανάκληση της ράβδου εμβόλου: Περιστρέψτε το μοχλό της λαβής στη θέση 1, και λειτουργούν με αέρα ή χειροκίνητα. Προσοχή: Μην κάνετε ΠΟΤΕ χειροκίνητη λειτουργία (Χειροκίνητη Χαμηλή Πίεση) ταυτόχρονα.
- Όταν ολοκληρωθεί, αποσυνδέστε τον εύκαμπτο σωλήνα αέρα από τον συμπιεστή και τον καθαρισμό του μηχανήματος.

**⚠ WARNING** Μην υπερβαίνετε το όριο του φορτίου εργασίας / ονομαστική μεταφορική ικανότητα του ανυψωτικού.

**⚠ WARNING** Σιγουρευτείτε ότι ο χειριστής πρέπει να φοράει προστατευτικά ρούχα, γάντια, κράνος ασφαλείας, παπούτσια και προστατευτικό αυτιών κατά τη διάρκεια της λειτουργίας.

**⚠ WARNING** Για την αποφυγή ατυχημάτων, πρέπει πάντα να γνωρίζεται κάθε εν εξελίξει εργασία στο μηχάνημα. Επίσης, να είστε πάντα συγκεντρωμένοι στη δουλειά που πρέπει να γίνει.

**⚠ WARNING** Αυτό το προϊόν και τα εξαρτήματά του δεν πρέπει να τροποποιούνται.

## 5. Οδηγίες συντήρησης

**⚠ Caution** Μην χρησιμοποιείτε το προϊόν όταν έχει φθαρεί/παρामορφωθεί. Εάν αφύσικος θόρυβος ή κραδασμοί λαμβάνουν χώρα, σταματήστε αμέσως τη χρήση του προϊόντος, επιθεωρήστε το ύστερα και ζητήστε τη βοήθεια του κατασκευαστή. Συνιστάται η επιθεώρηση αυτή να γίνει στις εξουσιοδοτημένες εγκαταστάσεις επισκευής του κατασκευαστή ή του προμηθευτή.

**⚠ Caution** Η πλέον σημαντική και μοναδική αιτία αποτυχίας στις υδραυλικές μονάδες είναι οι ακαθαρσίες. Διατηρείτε το γρύλο υπηρεσίας καθαρό και καλά λιπασμένο για να αποτρέψετε την εισχώρηση ξένων σωμάτων στο σύστημα. Εάν ο γρύλος έχει εκτεθεί σε βροχή, χιόνι, άμμο, ή σε χαλίκια, πρέπει να καθαριστεί πριν να χρησιμοποιηθεί.

Αποθηκεύστε το γρύλο, με τα έμβολα πλήρως συμπτυγμένα, σε μια καλά προστατευμένη περιοχή, όπου δεν θα πρέπει να εκτίθεται σε διαβρωτικούς ατμούς, τραχιά σκόνη, ή σε άλλα επιβλαβή στοιχεία.

Ελέγξτε περιοδικά την κατάσταση του προϊόντος.

Αποθηκεύστε το προϊόν σε ένα στεγνό και μη διαβρωτικό περιβάλλον.

Οι ιδιοκτήτες και/ή οι χειριστές θα πρέπει να γνωρίζουν ότι η επισκευή του παρόντος εξοπλισμού μπορεί να απαιτεί εξειδικευμένες γνώσεις και υποδομή. Συνιστάται ο επίσημος έλεγχος του προϊόντος να γίνεται από εξουσιοδοτημένο κέντρο επισκευής του κατασκευαστή ή του προμηθευτή και ότι οποιαδήποτε ελαττωματικά εξαρτήματα, αυτοκόλλητα ή επικετικές ασφαλείας ή σήματα να αντικατασταθούν με τα εξαρτήματα εκείνα που καθορίζονται συγκεκριμένα από τον κατασκευαστή ή τον προμηθευτή. Μια λίστα από εξουσιοδοτημένες εγκαταστάσεις επισκευής διατίθεται από τον κατασκευαστή ή τον προμηθευτή, παρακαλείστε να τους καλέσετε για βοήθεια.

Οποιοδήποτε προϊόν φαίνεται ότι έχει φθαρεί κατά οποιοδήποτε τρόπο, βρέθηκε ότι είναι χαλασμένο, ή δεν λειτουργεί κανονικά ΘΑ ΠΡΕΠΕΙ ΝΑ ΑΠΟΣΥΡΘΕΙ ΑΠΟ ΤΗΝ ΚΥΚΛΟΦΟΡΙΑ ΜΕΧΡΙΣ ΟΤΟΥ ΕΠΙΣΚΕΥΑΣΤΕΙ. Συνιστάται οι αναγκαίες επισκευές να γίνονται από μια εξουσιοδοτημένη εγκατάσταση επισκευής του κατασκευαστή ή του προμηθευτή εάν οι επισκευές επιτρέπονται από τον κατασκευαστή ή τον προμηθευτή.

Θα πρέπει να χρησιμοποιούνται μόνο τα εξαρτήματα ή/και οι προσαρμογείς που παρέχονται από τον κατασκευαστή.

Ο σχεδιασμός έχει επικυρωθεί σύμφωνα: ASME ASP-2010

## 7. Δήλωση Πιστότητας ΕΚ

Εμείς: **CHICAGO PNEUMATIC Tool Co. LLC, 1815 Clubhouse Road, Rock Hill, SC 29730 - USA**

Δηλώνουμε υπεύθυνα ότι το(τα) προϊόν(-τα): **CP86750/CP86100** Σειριακός αριθμός: 00001 έως 99999

Τύπος(οι) μηχανήματος: **Υδραυλική πρέσα** Πρόελευση προϊόντος: **Κίνα**  
είναι σύμφωνα(-α) προς τις απαιτήσεις της Οδηγίας του Συμβουλίου που αφορά την προσέγγιση των νομοθεσιών των κρατών μελών τις σχετικές με: τα «Μηχανήματα» **2006/42/EC (17/05/2006)**

εφαρμοστέ(-α) εναρμονισμένο(-α) πρότυπο(-α): **EN 13736 : 2003 + A1 : 2009**

Όνομα και αρμοδιότητα του δηλούντος: **Pascal Roussy (R&D Manager)**

Τόπος & Ημερομηνία: **Saint-Herblain, 10/04/2020**



Τεχνικός φάκελος διαθέσιμος από τα κεντρικά γραφεία της ΕΕ. Nicolas Lebreton R&D manager CP Technocenter 38, rue Bobby Sands - BP10273 44800 Saint Herblain - France

Οι αρχικές οδηγίες είναι στα αγγλικά. Οι άλλες γλώσσες αποτελούν μετάφραση των πρωτότυπων οδηγιών.

## Copyright 2020, Chicago Pneumatic Tools

Με επιφύλαξη παντός δικαιώματος. Απαγορεύεται οποιαδήποτε μη εξουσιοδοτημένη χρήση ή αντιγραφή των περιεχομένων ή τμημάτων τους. Αυτό ισχύει ιδιαίτερα για εμπορικά σήματα, ονομαστικές μοντέλων, αριθμούς εξαρτημάτων και σχεδιαγράμματα. Χρησιμοποιείτε μόνο εξουσιοδοτημένα εξαρτήματα. Οποιαδήποτε ζημία ή βλάβη που προκαλείται από τη χρήση μη εξουσιοδοτημένων εξαρτημάτων δεν καλύπτεται από την Εγγύηση ή την Υπαπότιητα Προϊόντος.

## 1. Dane techniczne (Patrz dane 1.)

Wymiary	Waga	pojemność	Ciśnienie Powietrza			A	B	C	F	E
Jednostka	[kg]	[kg]	[bar]	[mm]	[mm]	[mm]	[mm]	[mm]	[mm]	
CP86750	498	75000	7.5-8.5	1140	800	1840	245	800		
CP86100	766	100000	7.5-8.5	1200	990	1830	300	787		

Wymiary	F1	F2	R(Suw)	M	Voil	Ciśnienie w układzie hydraulicznym	Ciśnienie akustyczne	Moc akustyczna	Niepewność K
Jednostka	[mm]	[mm]	[mm]	[mm]	[l]	[MPa]	[dB(A)]	[dB(A)]	
CP86750	170	884	250	260	4.5	59.92	75.4	91.1	4.8
CP86100	114	814	300	235	5.6	63.69	75.4	91.1	4.8

Współczynnik testu statycznego: 1.5 / Współczynnik testu dynamicznego: 1.25 .

Wszystkie wartości są aktualne w dniu niniejszej publikacji. Najnowsze informacje dostępne są na stronie internetowej [www.cp.com](http://www.cp.com).

**Deklaracja dotycząca emisji hałasu i wibracji** : Deklarowane wartości uzyskano w trybie testów laboratoryjnych, zgodnie ze wskazanymi normami, a można je porównać z wartościami deklarowanymi dla innych narzędzi testowanych zgodnie z tymi samymi normami. Deklarowane wartości nie nadają się do oceny ryzyka. Wartości zmierzone w miejscu pracy mogą być wyższe. Rzeczywiste wartości ekspozycji oraz ryzyko obrażeń, jakich może doznać użytkownik, są unikalne i zależą od sposobu pracy użytkownika, obrabianego elementu i sposobu urządzenia miejsca pracy, a także czasu ekspozycji i kondycji fizycznej użytkownika. Firma CHICAGO PNEUMATIC TOOLS nie ponosi odpowiedzialności za konsekwencje wykorzystania deklarowanych wartości, zamiast wartości odzwierciedlających rzeczywistą ekspozycję, do oceny indywidualnego ryzyka w miejscu pracy, nad którym firma nie ma kontroli. W przypadku nieodpowiedniego użytkowania narzędzia, może ono powodować chorobę wibracyjną. Przewodnik UE dotyczący zarządzania użytkowaniem narzędzi wibrujących znajduje się na stronie: [www.pneuup.eu/uploads/documents/pdf/FPN3-02-NV\\_Declaration\\_info\\_sheet\\_0111.pdf](http://www.pneuup.eu/uploads/documents/pdf/FPN3-02-NV_Declaration_info_sheet_0111.pdf) Zalecamy wprowadzenie programu nadzoru zdrowotnego, który wykrywa wczesne objawy związane z narażeniem na hałas lub wibracje, aby możliwe było modyfikowanie procedur zarządzania w taki sposób, aby uniknąć pogorszenia stanu zdrowia w przyszłości.

## 2. Typ(y) urządzenia

- Urządzenia, o których mowa w niniejszej instrukcji, to urządzenia obsługiwane ręcznie, posiadające wspomaganie hydrauliczne (jako opcja), których zadaniem jest wywieranie ciśnienia na elementy w przypadku montażu lub demontażu.
- Dla zachowania dobrego stanu i wydajności prasy, nie należy przekraczać maksymalnej wydajności i nie stosować większego ciśnienia, niż to konieczne.
- Wszelkie inne zastosowanie jest niedozwolone. Wyłącznie do profesjonalnego użytku.
- Należy także stosować się do uwag dotyczących bezpiecznego użytkowania produktu!

## 3. Instrukcja montażowa

Zdejmij śruby, podkładki w wszystkich części przed montażem.

- Przed uruchomieniem prasy rozpakować i zamontować nogi, stół i ciśnieniomierz. Te czynności można wykonywać w różnych pozycjach, jednak nie należy zapominać, że elementy prasy są ciężkie. Konieczna jest pomoc osób trzecich lub użycie pomocy mechanicznych.
- Nogi należy przymocować do obudowy za pomocą załączonych śrub, a stoły do dwóch osi B (rys. 02), które zostały wcześniej ustalone na zewnętrznej części kolumn, odpowiednio do wybranej wysokości roboczej (rys. 02). Podstawę i wspornik przymocować do lewej i prawej płyty za pomocą śrub, podkładki, podkładki zabezpieczającej oraz nakrętki.
- Przesunąć pompę, rys.07 (CP86750), rys. 09 (CP86100), na zewnątrz od słupka, użyć śruby i podkładki zdjętych przed chwilą i mocno dokręcić do prawej płyty.
- Ulokowanie manometru: Manometr należy umieścić na urządzeniu hydraulicznym, znajdującym się w górnej części prasy (rys. 06). Zdjąć metalową pokrywę, umieścić manometr, sprawdzić czy pierścień uszczelniający typu „O”, znajdujący się w obudowie manometru, znajduje się na dole.
- Zamontować wąż oleju : rys.08 ( CP86750 ), rys.10, rys.11 ( CP86100 ).
- Podczas przemieszczania urządzenia należy zastosować odpowiedni sprzęt do podnoszenia i postępować zgodnie z instrukcjami przedstawionymi na rys. 02.

**⚠ Caution** Podczas pracy urządzenia, przed i za nim należy zapewnić wolną od przeszkód przestrzeń roboczą co najmniej 1 metra, co zapewni swobodny dostęp.

Z układu hydraulicznego usunąć powietrze:

- Otworzyć zawór spustowy, przekręcając go w kierunku przeciwnym do ruchu wskazówek zegara, a następnie otworzyć zawór spustowy powietrza (rys. 07).
- Następnie poruszyć kilka razy urządzeniem hydraulicznym. Zawory spustowe przekręcić do końca w kierunku zgodnym z ruchem wskazówek zegara. Urządzenie hydrauliczne jest gotowe do użytku.

## 4. Czynność

**⚠ WARNING** Przed pierwszym użyciem należy przymocować urządzenie do podłoża za pomocą śruby kotwowej. Należy upewnić się, czy powierzchnia, na której stoi urządzenie jest stabilna i pozioma oraz w wystarczającym stopniu oświetlona.

**⚠ WARNING** Aby zmniejszyć ryzyko wystąpienia obrażeń ciała, należy przeczytać i przyswoić instrukcje bezpieczeństwa umieszczone na prasie (rys. 16).

**⚠ WARNING** Po użyciu prasy tłok powinien być całkowicie uniesiony.

**⚠ WARNING** Stół powinien znajdować się na prawidłowej wysokości i powinien być stabilnie zablokowany kołkami. Umieścić na stole podstawkę pryzmową (rys. 02), a następnie umieścić na niej element przeznaczony do obróbki.

- Podstawki pryzmowe należy używać w parach, nie osobno!
- Prasę może obsługiwać tylko jedna osoba.

### 4.1 Instrukcja praca dla CP86750

- Zamknąć zawory spustowe (rys. 07), przekręcając je w kierunku zgodnym z ruchem wskazówek zegara.
- Wcisnąć rączkę/pedał pompy do momentu, aż zablokowane siodelko zbliży się do obrabianego elementu.
- Wyrównać obrabiany element i suwak, aby wyrównać ciężar.
- Pompować, aby przyłożyć obciążenie na obrabiany element (patrz: numeracja na ciśnieniomierzu).
- Po wykonaniu pracy przestać pompować. Powoli, ostrożnie i niewielkimi skokami usunąć obciążenie z obrabianego elementu, przekręcając zawór spustowy w kierunku przeciwnym do ruchu wskazówek zegara (zachować niewielki kąt, najwyżej dwa obroty)
- Gdy suwak całkowicie się uniesie, zdejść obrabiany element ze stołu.

4.2 Instrukcja praca dla CP86100

4.2.1 Dwa sposoby obsługi:

• Obsługa ręczna: Wsunąć rękę uchwytu (50) do gniazd uchwytu. Urządzenie wyposażone jest w 2 gniazda uchwytu. Górne gniazdo (31) przeznaczone jest do wysokiego ciśnienia i małej prędkości; dolne (43) przeznaczone jest do niskiego ciśnienia i większej prędkości. rys.12.

• Obsługa pneumatyczna: Nacisnąć nożny zawór pneumatyczny (61, rys.08)

4.2.2 Wsuwanie i wysuwanie tłoka

• 3 pozycje dźwigni uchwytu zaworu selektora: Gdy znajduje się w pozycji 1, tłoczysko się wsuwa. Gdy znajduje się w pozycji 2, tłoczysko się zatrzymanie ruchu. Gdy znajduje się w pozycji 3, tłoczysko się wysuwanie. rys.13.

4.2.3 Czynności

• Przesunąć dźwignię uchwytu do pozycji 3, następnie nacisnąć nożny zawór pneumatyczny, co spowoduje szybkie wysunięcie tłoczyska. Ostrzeżenie: W ŻADNYM PRZYPADKU nie należy jednocześnie obsługiwać urządzenia ręcznie (Manualna obsługa z niskim ciśnieniem).

• Gdy sanie wielokartowe zbliżą się do obrabianego przedmiotu, należy przejść na obsługę ręczną.

• Wyregulować położenie obrabianego przedmiotu upewniając się, że obrabiany przedmiot i tłoczysko są poprawnie ustawione w linii.

• Rozpocząć dociskanie obrabianego przedmiotu. Wsunąć rękę uchwytu do gniazda wysokiego ciśnienia (P31) i pompować ręką uchwytu, co spowoduje powolne wysuwanie tłoczyska i dociskanie obrabianego przedmiotu. Operator może wybrać dociskanie pneumatyczne lub jednocześnie pneumatyczne i ręczne.

• Zwolnienie nacisku: Przesunąć dźwignię uchwytu do pozycji 2, Przesunąć dźwignię uchwytu do pozycji 2, nacisk na tłoczysko zwolni się samoczynnie.

• Cofanie tłoczyska: Przesunąć dźwignię uchwytu do pozycji 1, i pracować przez powietrze lub instrukcji. W ŻADNYM PRZYPADKU nie należy jednocześnie obsługiwać urządzenia ręcznie (Manualna obsługa z niskim ciśnieniem).

• Po zakończeniu, należy odłączyć przewód powietrza od sprężarki i czyszczenia urządzenia.

**⚠ WARNING** Nie przekraczać limitu obciążenia roboczego/ wydajności znamionowej wózka.

**⚠ WARNING** Podczas obsługi maszyny operator ma obowiązek założenia odzieży ochronnej, rękawic, kasku ochronnego, obuwia i ochraniaczy uszu.

**⚠ WARNING** Celem niedopuszczenia do wypadku należy zawsze zachować czujność oraz skoncentrować się na wykonywanej pracy.

**⚠ WARNING** Urządzenia i jego akcesoriów nie wolno poddawać modyfikacjom.

## 5. Instrukcja konserwacji

**⚠ Caution** Nie korzystać z uszkodzonych/zdeformowanych produktów. W razie stwierdzenia nietypowego hałasu lub wibracji należy niezwłocznie przerwać korzystanie z narzędzia, dokonać jego przeglądu oraz zwrócić się do producenta z prośbą o pomoc. Zaleca się, by przeglądu dokonali pracownicy warsztatu naprawczego autoryzowanego przez producenta lub dostawcę.

**⚠ Caution** Główną przyczyną usterek urządzeń hydraulicznych jest obecność brudu. Podnośnik należy utrzymywać w czystości i zapewnić odpowiednie smarowanie, co zapobiegnie przedostaniu się ciał obcych. W przypadku, gdyby podnośnik narażony był na działanie deszczu, śniegu, piasku czy zwiuru, przed użyciem należy go wyczyścić.

Podnośnik, którego tłoki muszą być całkowicie schowane, należy składować w strzeżonym miejscu, w którym nie będzie narażony na działanie korozyjnych oparów, pyłu czy innych szkodliwych czynników.

Okresowo sprawdzać stan produktu.

Produkt należy przechowywać w suchym miejscu, nie narażając go na działanie czynników korozyjnych.

Właściciele i/lub operatorzy powinni mieć świadomość, że naprawa niniejszego sprzętu może wymagać specjalistycznej wiedzy i narzędzi. Zaleca się, by corocznego przeglądu dokonywali pracownicy warsztatu naprawczego autoryzowanego przez producenta lub dostawcę, oraz by wszelkie uszkodzone części lub nalepki lub oznaczenia związane z bezpieczeństwem wymieniać na części wskazane przez producenta. Wykaz autoryzowanych warsztatów naprawczych dostępny jest u producenta lub dostawcy.

Wszelkie produkty noszące ślady jakichkolwiek uszkodzeń, zużyte, lub które działają nieprawidłowo NALEŻY WYCOFAĆ Z UŻYCIA DO CHWILI ICH NAPRAWIENIA. Zaleca się, by koniecznych napraw dokonali pracownicy warsztatu naprawczego autoryzowanego przez producenta lub dostawcę, jeśli naprawy dozwolone są przez producenta lub dostawcę.

Należy stosować wyłącznie przystawki i/lub łączniki dostarczone przez producenta.

Projekt został zatwierdzony zgodnie: ASME ASP-2010

## 7. Deklaracja zgodności

My : **CHICAGO PNEUMATIC Tool Co. LLC, 1815 Clubhouse Road, Rock Hill, SC 29730 - USA**

Oświadczamy, że produkt (produkty): **CP86750/CP86100** Numer seryjny: 00001 do 99999

Typ(y) urządzenia: **Prasa hydrauliczna** Pochodzenie produktu: **Chiny**

jest (są) zgodne z wymogami Dyrektywy Rady, odpowiadającej ustawodawstwu krajów członkowskich i dotyczącej : „Maszyn i urządzeń” **2006/42/EC (17/05/2006)**

stosowanych norm zharmonizowanych : **EN 13736 : 2003 + A1 : 2009**

Nazwisko i stanowisko wydającego deklarację: **Pascal Roussy (R&D Manager)**

Miejsce i data: **Saint-Herblain, 10/04/2020**



Plik techniczny jest dostępny w siedzibie UE. Nicolas Lebreton R&D manager CP Technocenter 38, rue Bobby Sands - BP10273 44800 Saint Herblain - France

Oryginalną instrukcję napisano w języku angielskim. Inne języki to tłumaczenie instrukcji oryginalnej.

## Copyright 2020, Chicago Pneumatic Tools

Wszystkie prawa zastrzeżone. Używanie lub kopiowanie całości lub części niniejszego tekstu bez upoważnienia jest zabronione. Dotyczy w szczególności znaków towarowych, określeń modeli, numerów części i rysunków. Należy stosować wyłącznie części autoryzowane przez producenta.

Usterki i awarie powstałe w wyniku używania nieautoryzowanych części nie jest objęte Gwarancją ani Ubezpieczeniem od odpowiedzialności za produkt.

**1. Technické údaje (Viz obrázky 1.)**

Rozměr	Hmotnost	kapacita	Tlak Vzduchu	A	B	C	F	E
Jednostka	[kg]	[kg]	[bar]	[mm]	[mm]	[mm]	[mm]	[mm]
CP86750	498	75000	7.5-8.5	1140	800	1840	245	800
CP86100	766	100000	7.5-8.5	1200	990	1830	300	787

Rozměr	F1	F2	R(Zdvih)	M	Voil	Tlak hydraulického systému	Akustický tlak	Akustický výkon	Nejasnost K
Jednostka	[mm]	[mm]	[mm]	[mm]	[l]	[MPa]	[dB(A)]	[dB(A)]	
CP86750	170	884	250	260	4.5	59.92	75.4	91.1	4.8
CP86100	114	814	300	235	5.6	63.69	75.4	91.1	4.8

Koeficient statistického testu: 1.5 / Koeficient dynamického testu:1.25 .

Všechny hodnoty jsou platné k datu vydání této publikace. Nejnovější informace naleznete na webových stránkách [www.cp.com](http://www.cp.com).

**Prohlášení o emisích hluku a vibracích :** Tyto deklarované hodnoty byly získány laboratorními testováními v souladu s uvedenými normami a jsou vhodné pro srovnání s deklarovanými hodnotami jiných testovaných nástrojů podle stejných norem. Tyto deklarované hodnoty nejsou vhodné pro použití při vyhodnocení rizika, hodnoty naměřené na jednotlivých pracovištích mohou být vyšší. Aktuální hodnoty ohrožení a riziko poškození, které se týkají individuálního uživatele, jsou jedinečné a závisí na způsobu, kterým uživatel pracuje, na designu obrobku a pracovní stanice, stejně jako na době působení a fyzické kondici uživatele. My, společnost CHICAGO PNEUMATIC TOOLS nepřebíráme zodpovědnost za důsledky používání deklarovaných hodnot namísto hodnot odrážejících aktuální působení při individuálním vyhodnocení rizika v situaci na pracovišti, nad kterou nemáme žádnou kontrolu. Tento nástroj může při nesprávném používání způsobovat syndrom vibrací ruky/paže. Příručku EU popisující, jak se vypořádat s vibracemi ruky/paže, naleznete na [www.pneurop.eu/uploads/documents/pdf/PN3-02-NV\\_Declaration\\_info\\_sheet\\_0111.pdf](http://www.pneurop.eu/uploads/documents/pdf/PN3-02-NV_Declaration_info_sheet_0111.pdf) Doporučujeme program zdravotního dohledu umožňující včasné odhalení symptomů, které mohou souviset se působením hluku a vibrací, aby bylo možné změnit řídicí procesy s cílem předcházet budoucím újmám na zdraví.

**2. Typ(y) nástroje**

- Stroje zde popsané jsou obsluhované ručně a s pneu-hydraulickou podporou (volitelně), které vyvíjejí tlak na díly za účelem jejich montáže nebo demontáže.
- Pro správné používání lisu nikdy nepřekračujte maximální kapacitu a nikdy nevyvíjejte větší tlak než je nutné.
- Není určen k žádnému jinému účelu. Pouze pro profesionální použití.
- Dbejte prosím také na bezpečnostní informace o výrobku!

**3. Pokyny pro upevnění**

Sejměte šrouby, podložky ze všech částí před montáží.

- Před prvním spuštěním lisu je nezbytné lis vybalit, připevnit nohy, stůl a manometr. Tyto činnosti lze provést v různých polohách, ale nezapomeňte, že se jedná o těžké předměty, které vyžadují pomoc druhé osoby, nebo použití mechaniky.
- Nohy jsou připevněny k šasi pomocí poskytnutých šroubů a stoly ke dvěma osám B na Obr. 02, jenž byly předtím vložené do výstupů sloupků, dle zvolené pracovní výšky Obr. 02. Pomocí šroubu, podložky, pojistné podložky a matice připevněte základní díl a podpěru k levé a pravé spojovací desce.
- Pohněte sestavou čerpadla, Obr.07 (CP86750) , Obr.09 ( CP86100 ),mimo podstavec a pomocí šroubu a podložky, které jste právě odstranili, pevně dotáhněte k pravé spojovací desce.
- Umístění manometru: Manometr by měl být umístěn na hydraulické jednotce, která je umístěna na horním dílu lisu Obr.06. Odstraňte kovový kryt, umístěte manometr, ujistěte se, že těsnící O-kroužek, který je uvnitř krytu manometru, zůstává po instalaci na spodu.
- Sestavte olejové hadice : Obr.08 ( CP86750 ) , Obr.10 ,Obr.11 ( CP86100 ) .
- Během přesunu stroje se prosím ujistěte, že používáte správné zvedací zařízení a postupujete dle návodu na Obr.02.

**⚠ Caution** Před i za pracujícím strojem je potřeba udržovat volnou pracovní oblast 1 m, aby byl stále snadno přístupný.

Odstraňte vzduch z hydraulického systému:

- Otevřete vypouštěcí ventil jeho otočením proti směru hodinových ručiček a otevřete ventil vypuštění vzduchu, Obr.07.
- Pak hydraulickou jednotkou několikrát zapumpujte. Pak plně otočte vypouštěcími ventily po směru hodinových ručiček. Hydraulická jednotka je nyní připravena k použití.

**4. Provoz**

**⚠ WARNING** Před prvním použitím prosím upevněte stroj k podlaze kotvicími prvky. Musíte zajistit, aby byla podlaha pod strojem pevná a vodorovná a bylo poskytnuto dostatečné osvětlení.

**⚠ WARNING** Pro snížení rizika úrazu si přečtěte a pochopte oddělené poskytnuté bezpečnostní pokyny a bezpečnostní informace, vytištěné na lisu Obr.16

**⚠ WARNING** Po použití lisu nechte píst plně zasunutý.

**⚠ WARNING** Ujistěte se, že je stůl ve správné poloze a pevně stůl zajistěte kolyčky. Umístěte na stůl V-blok, Obr.02, pak vložte do V-bloku obrobek.

- V-blok používejte jako pár, nikoliv jednotlivě!
- Lis může obsluhovat jen jedna osoba.

**4.1 Obsluha Návod k CP86750**

- Zavřete odpovídající ventily, Obr.07 jeho otočením po směru hodinových ručiček.
- Zapumpujte držadlem/pedálem dokud se neusadí poblíž obrobku.
- Zarovnejte obrobek s čepem a zajistěte tak vycentrování zátěže.
- Zapumpujte držadlem/pedálem a začněte tlačit na obrobek (sledujte prosím hodnoty na manometru).
- Jakmile je práce hotova, přestaňte pumpovat držadlem/pedálem a opatrně uvolněte zátěž z obrobku otočením vypouštěcího ventilu proti směru hodinových ručiček v malých dávkách (musí se otáčet v malém úhlu, největší jsou dvě otčky)
- Jakmile se čep plně zasune, odstraňte obrobek ze stolu.

#### 4.2 Obsluha Návod k CP86100

##### 4.2.1 Dva druhy ovládní:

• Ruční ovládní: Trubicí držadla (50) vložte do svorek držadla. V dodávce jsou 2 svorky držadla. Horní (31) je pro vysoký tlak a nízkou rychlost a spodní (43) je pro nízký tlak a vysokou rychlost. Obr.12.

• Vzduchový pohon: Sešlápněte nožní vzduchový ventil (61,Obr.08)

##### 4.2.2 Zatažení a vytažení pístu

• 3 polohy držadla páky rozdělovačivho ventilu: Jakmile se nachází v poloze 1, je tyč pístu zatažena. Jakmile se nachází v poloze 2, je tyč pístu ukončení pohybu. Jakmile se nachází v poloze 3, je tyč pístu vytažení.Obr.13

##### 4.2.3 Provoz

• Otočte držadlem páky 3, pak sešlápněte vzduchový pedál a tyč pístu se rychle vytáhne.Varování:NIKDY nemanipulujte ručně( Ruční nízký tlak) najednou.

• Jakmile se ozubené ložisko dostane do blízkosti obrobku, přejděte na ruční ovládní.


• Upravte polohu obrobku a zajistěte, aby byly obrobek a tyč pístu správně zarovnány.

• Začítě lisovat obrobek. Do svorky (P31) držadla s vysokým tlakem vložte trubicí držadla a zapumpujte jí, tyč pístu se pomalu vytáhne a vylisuje obrobek. Pracovník může k lisování využít vzduch, nebo najednou využít vzduch i ruční ovládní.

• Uvolnění tlaku: Otočte držadlem páky 2, tlak na tyč pístu se uvolní automaticky.

• Zpětný pístnice: Otočte držadlem páky 2, a provozovat leteckou nebo ruční. Varování:NIKDY nemanipulujte ručně( Ruční nízký tlak) najednou.

• Po dokončení odpojte vzduchovou hadici od kompresoru a čištění zařízení.


 **WARNING** Nepřekračujte povolené pracovní zatížení/jmenovitou nosnost vozíku.

 **WARNING** Obsluha musí mít při práci na sobě vždy ochranný oděv, rukavice, bezpečnostní helmu, body a ochranu uší.

 **WARNING** Aby nedošlo k nehodě, vždy mějte přehled o všem, co se na stroji děje. Vždy také věnujte maximální pozornost činnosti, kterou provádíte.

 **WARNING** Toto zařízení a jeho příslušenství nesmí být modifikováno.

## 5. Pokyny k údržbě

 **Caution** Nepoužívejte poškozený/deformovaný produkt. Pokud dochází k abnormálnímu zvuku nebo vibracím, ihned produkt přestaňte používat, prohlédněte jej a požádejte o pomoc výrobce. Doporučuje se, aby tuto prohlídku provedla opravná výrobce nebo dodavatele.

 **Caution** Hlavní příčinou závad hydraulických jednotek je nečistota. Udržujte servisní zvedák v čistotě a dobře namazaný, aby do systému nevnikly cizí částice. Pokud byl zvedák vystaven dešti, sněhu nebo štěrku, je nutné jej před použitím vyčistit.

Zvedák ukládejte s úplně zataženými písty v dobře chráněném prostoru, kde nebude vystaven korozivním výparům, brusnému prachu či jiným škodlivým materiálům.

Stav výrobku pravidelně kontrolujte.

Výrobek skladujte v suchém prostředí, kde nedochází ke korozi.

Majitelé a/nebo provozovatelé musejí vzít na vědomí, že toto zařízení může vyžadovat speciální znalosti a vybavení. Doporučuje se provádět každoroční kontrolu výrobku v servisní opravné výrobce nebo dodavatele a veškeré vadné části, štítky nebo bezpečnostní štítky či značky by měly být vyměněny za originální díly výrobce nebo dodavatele. Seznam autorizovaných servisních oprav je k dispozici u výrobce nebo dodavatele, požádejte je prosím o pomoc.

Produkt, který jeví jakékoli známky poškození, je opotřebený nebo pracuje abnormálně, MUSÍ BÝT VYŘAZEN Z PROVOZU DO DOBY, NEŽ BUDE OPRAVEN. Doporučuje se, aby nezbytné opravy provedla opravná výrobce nebo dodavatele, pokud jsou opravy výrobcem nebo dodavatelem povoleny.

Používejte pouze příslušenství a/nebo adaptéry dané výrobcem.

Design byl ověřen v souladu: ASME ASP-2010

## 7. Prohlášení o shodě

My : **CHICAGO PNEUMATIC Tool Co. LLC, 1815 Clubhouse Road, Rock Hill, SC 29730 - USA**

Prohlašujeme, že výrobek (výrobky): **CP86750/CP86100** Série: 00001 do 99999

Typ(y) nástroje: **Hydraulický lis** Původ výrobku: **Čína**

je ve shodě s požadavky směrnice Evropské rady týkajících se sblížení zákonů členských států vztahujících se ke „Strojivrenství“ **2006/42/EC (17/05/2006)**

je v souladu s příslušnými harmonizovanými normami: **EN 13736 : 2003 + A1 : 2009**

Jméno a pozice vydavatele: **Pascal Roussy (R&D Manager)**



Místo a datum: **Saint-Herblain, 10/04/2020**

Technický soubor je k dispozici v sídle EU. Nicolas Lebreton R&D manager CP Technocenter 38, rue Bobby Sands - BP10273 44800 Saint Herblain - France

Originální návod je v angličtině. Ostatní jazyky jsou překladem originálního návodu.

## Copyright 2020, Chicago Pneumatic Tools

Všechna práva vyhrazena. Veškeré nepovolené používání nebo kopírování obsahu nebo jeho částí je zakázáno. Platí to zvláště pro obchodní značky, označení modelů, čísla součástek a výkresy. Používejte pouze schválené součástky. Veškerá poškození nebo selhání způsobená použitím neschválených součástek není pokryto zárukou nebo zodpovědností za výrobek.

## 1. Technické údaje (pozri obrázky 1.)

Hnacia sila, rozmery	Hmotnosť	kapacita	tlak Vzduchu	A	B	C	F	E
Jednotka	[kg]	[kg]	[bar]	[mm]	[mm]	[mm]	[mm]	[mm]
CP86750	498	75000	7.5-8.5	1140	800	1840	245	800
CP86100	766	100000	7.5-8.5	1200	990	1830	300	787

Hnacia sila, rozmery	F1	F2	R(Zdvih)	M	Voil	Tlak hydraulického systému	Tlak zvuku	EI.energia zvuku	Neistota K
Jednotka	[mm]	[mm]	[mm]	[mm]	[l]	[MPa]	[dB(A)]	[dB(A)]	
CP86750	170	884	250	260	4.5	59.92	75.4	91.1	4.8
CP86100	114	814	300	235	5.6	63.69	75.4	91.1	4.8

Koeficient testu statiky: 1.5 / Koeficient testu dynamiky: 1.25 .

Všetky hodnoty sú súčasne ku dňu vydania tejto brožúrky. Kvôli najnovším informáciám, prosíme navštívte webovú stránku [www.cp.com](http://www.cp.com).

**Deklarácia o hluku a vibračné emisie** : Tieto deklarované hodnoty sa získavajú laboratórnym testovaním podľa nastavených štandardov a sú vhodné na porovnanie s deklarovanými hodnotami iných nástrojov otestovaných podľa rovnakých štandardov. Tieto deklarované hodnoty nie sú adekvátne na použitie v rizikových hodnoteniach a hodnoty namerané pri individuálnej práci a pracovných miestach môžu byť aj vyššie. Aktuálne hodnoty vystaveniu sa riziku poškodenia aplikované individuálnym užívateľom sú jedinečné a závisí na spôsobe, akým užívateľ pracuje na výrobku ako aj na tvare a dizajne pracovného miesta, taktiež na časovom období vystaveniu sa hluku a fyzickej kondícii užívateľa. Spoločnosť CHICAGO PNEUMATIC TOOLS nie je zodpovedná za následky alebo dôsledky použitím deklarovaných hodnôt, namiesto hodnôt vyplývajúcich zo skutočného vystavenia sa a pri individuálnom riziku a jeho hodnotení pri situácii pracovného miesta, nad ktorými nemáme žiadnu kontrolu. Tento nástroj môže spôsobiť vibračný syndróm na ruke a paži, ak sa používa neadekvátne alebo jeho používanie nie je adekvátne riadené. EÚ manuál a príručka na riadenie vibrácií na ruke a paži sa nachádza na [www.pneurop.eu/uploads/documents/pdf/PN3-02-NV\\_Declaration\\_info\\_sheet\\_0111.pdf](http://www.pneurop.eu/uploads/documents/pdf/PN3-02-NV_Declaration_info_sheet_0111.pdf). Odporúčame program zvodotného dohľadu a dozoru na detekovanie včasných symptómov, ktoré môžu súvisieť s hlukom alebo vystaveniu sa vibráciám tak, aby mohli byť modifikované riadiace procesy a procedúry na predchádzanie budúcim poruchám a poškodeniu.

## 2. Typy prístrojov

- Jednotky opísané v návode na obsluhu sa ovládajú manuálne a pomocou vzduchovo-hydraulického podporného zariadenia (voliteľné), ktorým sa stláčajú diely pri montáži alebo demontáži.
- Kvôli zachovaniu prevádzkyschopnosti lisu nikdy neprekračujte maximálnu nosnosť a nikdy nepoužívajte vyšší tlak ako je potrebné.
- Nie je dovolené žiadne iné použitie. Len na profesionálne použitie.
- Prosím taktiež dodržiavajte bezpečnostné informácie o produkte!

## 3. Montážny návod

Odstáňte skrutky, podložky zo všetkých častí pred montážou.

- Pred prvou prevádzkou lisu, je potrebné ho odbaliť, prímontovať nožičky, stôlk a tlakomer. Tieto operácie sa dajú vykonávať v rôznych pozíciách, ale nikdy nezabúdajte, že sú to ťažké prvky a zložky, ktoré si vyžadujú pomoc a asistenciu ostatných alebo použitie mechanických prostriedkov.
- Nožičky sú pripravené k podvozku použitím poskytnutých skrutiek a stoly k dvom B osiam na Obr.02, ktoré boli predtým umiestnené na vonkajších vývodoch a ventiloch stĺpkov podľa vybranej pracovnej výšky Obr.02. Pripojte časť základne a podperu nalavo aj napravo spojením platne použitím západky, podložky pod maticu, pružnej podložky a matice.
- Posuňte čerpaciu montáž, Obr.07 ( CP86750 ), Obr.09 ( CP86100 ), smerom k vonkajšiemu úseku, použite západku a podložku pod maticu, ktorá sa práve teraz rozmontuje pre pevné utiahnutie a obrútenie na pravej spájacej platni.
- Umiestnenie tlakomera: Tlakomer by mal byť umiestnený na hydraulickej jednotke, ktorá je umiestnená na hornej vrchnej časti lisu Obr.06. Odstáňte kovový povrch, umiestnite tlakomer, uistite sa, že tesnenie, spoj tesniaceho krúžku, ktorý je vo vnútri tlakomeru a obale tlakomeru zostáva pred inštaláciou na spodnej strane.
- Zostavte olejové hadice : Obr.08 ( CP86750 ), Obr.10 , Obr.11 ( CP86100 ).
- Počas pohybovania a posúvania stroja sa uistite, že používate riadne zdvíhacie zariadenie a stroje a dodržiavajte inštrukcie ako je zobrazené na Obr.02

**⚠ Caution** Pracovná plocha 1 meter musí byť zachovaná ako voľná aj z prednej aj zo zadnej strany zariadenia pokiaľ je v prevádzke tak, aby bol vždy ľahko prístupný.

Zbavte sa a odstráňte vzduch z hydraulického systému:

- Otvorte uvoľnený ventil a otáčajte ho proti smeru hodinových ručičiek a otvorte vzduchový ventil, Obr.07.
- Potom odčerpajte niekoľkokrát hydraulickú jednotku. Potom naplno otočte uvoľnenými ventilmi v smere hodinových ručičiek. Hydraulická jednotka je pripravená na použitie.

## 4. Prevádzka

**⚠ WARNING** Pred prvým použitím prosíme zafixujte a pripevnite prístroj k podlahe kotviacou skrutkou. Musí byť jasné a zabezpečené, že stály a nepohyblivý povrch stroja a priestoru okolo je pevný a horizontálny a že je poskytnuté dostatočné osvetlenie.

**⚠ WARNING** Aby ste znížili riziko zranenia, prečítajte si a porozumejte zvlášť poskytnutým bezpečnostným inštrukciám a predpisom a informáciám na lise Obr. 16

**⚠ WARNING** Nasledujúce použitie lisu, nechajte piest naplno zatiahnutý, vtiahnutý.

**⚠ WARNING** Zabezpečte stôl na riadnej pozícii a zabezpečte stôl pevne a naplno sponami či svorkami. Umiestnite V-kváder na stôl, Obr.02, potom vložte obrobok na V-kváder.

- V-blok sa musí používať v páre, nie kusovo!
- Len jedna osoba má dovolené prevádzkovať lis, lisovníu.

### 4.1 Obsluha Návod na CP86750

- Zatvorte uvoľnené ventily, Obr.07, otočte ich v smere hodinových ručičiek pokiaľ nie sú pevne a jasne uzatvorené.
- Načerpajte ručným/nožným pedálom až pokiaľ sa zúbkované a vrúbkované ložisko neusadí na obrábaný výrobok.
- Zarovnajte obrábaný výrobok a narazte ho a zabezpečte naloženie v strede.
- Načerpajte ručným/nožným pedálom a použite náklad na obrobok (prosíme viď vyčistenie a zobrazenie čísiel na tlakomeri).
- Keď je práca ukončená, prestaňte čerpať ručným/nožným pedálom, pomaly a opatrne odstráňte bremeno či náklad z obrábaného výrobku otočením uvoľneného ventilu proti smeru hodinových ručičiek v drobných a malých prírastkoch. (musíte otáčať malým uhlom, najväčší je len dve otkčky)
- Keď sa piest naplno zatiahol a vtiahol, odstráňte obrobok zo stola.

#### 4.2 Obsluha Návod na CP86100

##### 4.2.1 Dva spôsoby prevádzky:

• Ručná prevádzka: Vložte si rukoväť trubice (50) do dlani. 2 rukoväte do dlani sú k dispozícii. Vyššia (31) je na vyšší tlak a nízka rýchlosť; nižšia (43) je na nízky tlak a vyššiu rýchlosť. Obr. 12.

• Prevádzka vzduchom: Znížte ventil vzduchovej stopy (61, Obr. 16)

##### 4.2.2 Retrakcia piestu a predĺženie

• 3 pozície pre páku rukoväte ventilu prepínača: Keď je v pozícii 1, tyč piestu sa reťakuje. Keď je v pozícii 2, tyč piestu sa zastaví sa pohyb. Keď je v pozícii 3, tyč piestu sa predlžovanie. Obr. 13.

##### 4.2.3 Prevádzka

• Otočte páku rukoväte na pozíciu 3, potom znížte ventil vzduchovej stopy a tyč piestu sa rýchlo predlží. Výstraha: NIKDY neprevádzkujte ručne (Manuálny nízky tlak) súčasne.

• Keď sa zubaté, pilkované sedlo priblíži k dielu, zmeňte na manuálnu prevádzku.

• Nastavte pozíciu pracovného diela, aby ste sa uistili, že pracovné dielo a tyč piestu /piestnica/ sú riadne a správne pripojené a vyrovnané.

• Začnite vytlačať pracovné dielo. Vložte trubicu rukoväte do zásuvky vysokého tlaku (P31) a načerpaťe trubicu rukoväte, piestnica sa pomaly predlží a vytlačte pracovné dielo. Prevádzkovateľ môže stláčať vzduch alebo stláčať vzduchom alebo manuálne aj naraz.

• Uvoľnite tlak: Otočte páku rukoväte na pozíciu 2, tlak na piestnicu sa automaticky uvoľní.

• Spätň piestnicu: Otočte páku rukoväte na pozíciu 1, a prevádzkovať leteckú alebo ručne. Výstraha: NIKDY neprevádzkujte ručne (Manuálny nízky tlak) súčasne.

• Po dokončení odpojte vzduchovú hadicu od kompresora a čistenia zariadení.

**⚠ WARNING** Neprekračujte prevádzkové zaťaženie / uvedenú kapacitu bábiky.

**⚠ WARNING** Uistite sa, že prevádzkovateľ teda operátor musí mať oblečené ochranné oblečenie, odev, rukavice, bezpečnostnú helmu, topánky, teda obuv a ochranu uší počas prevádzky.

**⚠ WARNING** Aby ste sa vyhli nehodám, vždy si buďte vedomý akejkoľvek prebiehajúcej trvajúcej práce na prístroji. Taktiež, vždy zostaňte sústredený na prácu, ktorá sa má vykonať.

**⚠ WARNING** Tento výrobok a jeho príslušenstvo nesmiete modifikovať.

## 5. Montážny návod

**⚠ Caution** Nepoužívajte poškodený/deformovaný produkt. Ak sa vyskytne abnormálny hluk alebo vibrácie, zastavte okamžite používanie, potom skontrolujte a požiadajte výrobcu o pomoc. Odporúča sa, aby táto prehliadka a kontrola bola vykonaná výrobcom alebo autorizovaným dilerom či inštitúciou dodávateľa na opravy.

**⚠ Caution** Najväčšia jednotlivá a samostatná príčina/dôvod zlyhania u hydraulických jednotkách je špina. Uchovávajte servisovanie zdviháka čisté a dobre namazané, aby ste predchádzali cudzím materiálom a hmote, aby sa dostali do systému. Ak bol zdvihák vystavený dažďu, snehu, piesku alebo štrku, musí byť vyčistený predtým, ako sa bude používať.

Ukladajte zdvihák, s piestami úplne stiahnutými, v dobre chránenej miestnosti či oblasti, kde nebude vystavený korozívnym ničivým vplyvom a výparom, drsným a a abrazívnym prachovým časticami, alebo akýmkoľvek iným škodlivým prvkom.

Pravidelne a periodicky kontrolujte stav produktu.

Skladujte produkt na suchom a nekorozívnom mieste, v prostredí.

Majitelia a/alebo prevádzkovatelia by si mali byť vedomí, že oprava tohto zariadenia si môže vyžadovať špecializované vedomosti a znalosti a inštitúcie.

Odporúča sa, aby ročná prehliadka a kontrola produktu bola vykonávaná výrobcom alebo dodávateľom teda jeho autorizovanou opravňujúcou jednotkou a aby akékoľvek poškodené časti a diely, dekalky alebo bezpečnostné štítky a nálepky alebo značky mohli byť vymenené za špecifikované súčasti a diely od výrobcu alebo dodávateľa. Zoznam autorizovaných inštitúcií na opravy je dostupný od výrobcu alebo dodávateľa, prosíme volajte im.

Akýkoľvek produkt, ktorý sa javí ako poškodený akýmkoľvek spôsobom, sa javí ako opotrebovaný alebo sa pri prevádzke správa abnormálne BY MAL BYŤ STIAHNUŤ Z PREVÁDZKY AŽ DO OPRAVY. Odporúča sa, aby potrebné opravy boli vykonávané výrobcom alebo dodávateľom, teda jeho autorizovanou jednotkou či inštitúciou na opravy, ak sú opravy povolené výrobcom alebo dodávateľom.

Majú sa používať len doplnky, súčiastky a diely a/alebo adaptéry dodávané výrobcom.

Dizajn bol overený v súlade: ASME ASP-2010

## 7. Deklarácia zhody

Spoločnosť: **CHICAGO PNEUMATIC Tool Co. LLC, 1815 Clubhouse Road, Rock Hill, SC 29730 - USA**

Tu deklaruje a vyhlasuje, že výrobky: **CP86750/CP86100** Sériové číslo: 00001 až 99999

Typy prístrojov: **Hydraulický tlak** Pôvod výrobca: **Čína**

je v súlade a zhode s požiadavkami Smernice Rady ohľadom aproximácie členských štátov, čo súvisí s: až „Strojové zariadenia“ **2006/42/EC (17/05/2006)**

aplikovateľné s harmonizovanými štandardmi: **EN 13736 : 2003 + A1 : 2009**

Meno a pozícia vydávateľa: **Pascal Roussy (R&D Manager)**

Miesto a dátum: **Saint-Herblain, 10/04/2020**



Technické prístroje dostupné z ústredia EÚ. Nicolas Lebreton R&D manager CP Technocenter 38, rue Bobby Sands - BP10273 44800 Saint Herblain - France

Originálny návod je v angličtine. Ostatné jazyky sú prekladom originálneho návodu.

## Copyright 2020, Chicago Pneumatic Tools

Všetky práva vyhradené. Akékoľvek nepovolené použitie alebo kopírovanie obsahu alebo jeho časti je zakázané. Toto sa konkrétne týka značiek, tried modelov, čísel súčiastok a výkresov. Používajte len autorizované súčiastky. Akékoľvek poškodenie alebo nesprávne fungovanie spôsobené použitím neautorizovaných súčiastok nie je kryté zárukou ani zodpovednosťou za poškodenie.

## 1. Műszaki adatok (lásd az ábrákat 1.)

Méretek	Tömeg	kapacitás	Légnyomás	A	B	C	F	E
Mérték-egység	[kg]	[kg]	[bar]	[mm]	[mm]	[mm]	[mm]	[mm]
CP86750	498	75000	7.5-8.5	1140	800	1840	245	800
CP86100	766	100000	7.5-8.5	1200	990	1830	300	787

Méretek	F1	F2	R(Lökét)	M	Voil	Hidraulikarendszer nyomása	Hangnyomás	Hangteljesítmény	Bizonytalanság K
Mérték-egység	[mm]	[mm]	[mm]	[mm]	[l]	[MPa]	[dB(A)]	[dB(A)]	
CP86750	170	884	250	260	4.5	59.92	75.4	91.1	4.8
CP86100	114	814	300	235	5.6	63.69	75.4	91.1	4.8

Statikus tesztegység: 1.5 / Dinamikus tesztegység: 1.25 .

Az összes feltüntetett érték a jelen kiadvány dátumakor érvényes. A legfrissebb adatokért kérjük, látogassa meg a [www.cp.com](http://www.cp.com) internetes oldalt.

**Nyilatkozat a zaj- és vibrációkibocsátásról** : Ezeket a közölt értékeket laboratóriumi vizsgálatokkal nyerték a megadott szabványokkal összhangban, és alkalmasak más gépek ugyanezen szabványok szerint meghatározott értékeivel való összehasonlításra. A közölt értékek nem alkalmasak kockázatelemzésre, és az egyes munkahelyeken mért értékek nagyobbak lehetnek, mint a deklarált értékek. A tényleges behatási értékek és az egyéni felhasználó által elszelvetett károsodás kockázata egyediek és függenek a felhasználó munkavégzésének módjától, a munkadarabtól és a munkahely kialakításától, valamint a behatás időtartamától és a felhasználó fizikai állapotától. Mi, a CHICAGO PNEUMATIC TOOLS, nem lehetünk felelősek a tényleges behatást túlrőzött értékek helyett a deklarált értékeknek olyan munkahelyi helyzet értékelésében történő felhasználásának következményeire, amelyre nincs ráhatásunk. Ez a szerszám a kéz és a kar vibrációját okozhatja nem megfelelő használatát esetén. A kezét és a kart erő vibrációkkal foglalkozó EU-útmutató a következő helyen tölthető le: [www.pneurop.eu/uploads/documents/pdf/PDFN3-02-NV\\_Declaration\\_info\\_sheet\\_0111.pdf](http://www.pneurop.eu/uploads/documents/pdf/PDFN3-02-NV_Declaration_info_sheet_0111.pdf) Egészségfelmérési programot ajánlunk az olyan korai tünetek felismerésére, amelyek kapcsolatban állhatnak a zaj- vagy vibrációs terheléssel, hogy az eljárásokat módosítani lehessen a helyzet további romlásának megakadályozására.

## 2. Géptípus(ok):

- Az itt bemutatott egységek kézzel és pneumatikus-hidraulikus támogatással (opcionális) is működtethetők, ami az alkatrészekre csak összeszereléskor vagy szétszereléskor fejt ki nyomást.
- A prés állapotának fennmaradásához ne lépje túl a maximális teljesítményt és ne alkalmazza a szükségesnél nagyobb nyomást.
- Más felhasználás nem engedélyezett. Csak professzionális felhasználásra.
- Mindig tartsa észben a termékbiztonsági információkat!

## 3. Felszerelési utasítások

Vegye le a csavarokat, alátéteket minden tájáról összeszerelése előtt.

- A prést az első alkalommal való használat előtt ki kell csomagolni és fel kell szerelni a lábat, az asztalt és a nyomásmérő órát. Ezek a műveletek különböző helyeken végezhetők el, de ne felejtse meg, hogy ezek nehéz darabok, amikhez mások vagy mechanikai eszközök segítségével szükséges.
- A lábat a mellékelt csavarokkal kell a vázhoz rögzíteni, az asztalokat pedig a 02. ábrán látható két B tengelyhez, melyeket előzetesen az oszlopok nyílásaira kell helyezni a 02. ábrán kiválasztott működési magasságnak megfelelően. Rögzítse az alaprészt, valamint a bal és a jobb oldali összekötő lemez támasztékát a csavar, az alátét, a biztosítógyűrű és az anya segítségével.
- Helyezze a szivattyú szerelvényt 07. ábra ( CP86750 ), 09. ábra ( CP86100 ), az oszlop külsejéhez, használja a korábban leszerelt csavart és alátétet a jobb oldali csatlakozó lemezhez való szoros rögzítéshez.
- A manométer elhelyezése: A manométert a hidraulikus egységre kell elhelyezni, ami a prés felső részén található (06. ábra). Távolítsa el a fém burkolatot, helyezze el a manométert, ügyelve rá, hogy a manométerházban lévő O-gyűrűs tömítés a felszerelés során lent maradjon.
- Szerelje olaj tömlő : ábra.08 ( CP86750 ), ábra.10 , ábra.11 ( CP86100 ).
- A gép mozgatása során ügyeljen rá, hogy a megfelelő emelőberendezést használja, és kövesse a 02. ábrán látható utasításokat.

**⚠ Caution** Egy 1 m-es munkaterületet kell szabadon hagyni a gép előtt és mögött működés közben, hogy az mindig könnyen hozzáférhető legyen.

Légtelenítse a hidraulikarendszert:

- Nyissa ki a kioldó szelepet, forgatva in óramutató járásával ellentétes irányba, és szabad levegőn vérzés vavle, Fig.07
- Ezután néhányszor pumpálja a hidraulikus egységet. Ezután teljesen forgassa el a kioldószelepeket az óramutató járásával megegyező irányba.

A hidraulikus egység készen áll a használatra.

## 4. Használat

**⚠ WARNING** Az első használat előtt az anyagot ankerfuratok segítségével rögzítse a padlóhoz. Biztosítani kell, hogy a gép rögzített felülete szilárd és vízszintes legyen, és megfelelő legyen a megvilágítás.

**⚠ WARNING** sérülések kockázatának csökkentése érdekében olvassa el és értesse meg a külön mellékelt biztonsági előírásokat és a présen jelzett biztonsági információkat (16. ábra).

**⚠ WARNING** prés használatát követően tartsa a dugattyút teljesen behúzott állapotban.

**⚠ WARNING** Biztosítsa, hogy az asztal megfelelő helyzetben legyen és a csapokkal erősen rögzítse az asztalt. Helyezze a V-blokkot az asztalra (02. ábra), majd helyezze be a munkadarabot a V-blokkba.

- A V-blokkot párban, nem pedig darabonként kell használni!
- A prést csak egy személy kezelheti.

### 4.1 Operation utasítás CP86750

- Zárja be a kioldószelepeket (07. ábra) az óramutató járásával megegyező irányba forgatással, amíg erősen be nem záródik, csak egy (1) szelep van a WP100P műhelyprésen.
- Pumpálja a fogantyú/lábpédált, amíg a fogazott nyereg el nem éri a munkadarabot.
- Igazítsa el a munkadarabot és a munkahengert a középpontos terhelés biztosításához.
- Pumpálja a fogantyú/lábpédált a nyomás alkalmazásához a munkadarabra (lásd a számozást a nyomásmérő órán).
- Amikor a munka kész, állítsa le a fogantyú/lábpédál pumpálását, lassan és körültekintően szüntesse meg a nyomást a munkadarabon a kioldószelepet lassan elfordítva az óramutató járásával ellentétes irányba (kis szögben kell forgatni, a teljes forgatás két kört jelent, 17. ábra).
- Amikor a munkahenger teljesen behúzódtott, vegye le a munkadarabot az asztalról.



#### 4.2 Operation utasítás CP86100

##### 4.2.1 Kétféle működtetési mód:

- Kézi működtetés: Illesse a csöves kézikart (50) a foglalatokba. 2 foglalat áll rendelkezésre. A felső (31) nagy nyomás és alacsony sebesség esetén, míg az alsó (43) kis nyomás és nagyobb sebesség esetén használatos. 12. ábra

- Működtetés levegővel: Engedje fel a levegő pedált (61, 14. ábra)

##### 4.2.2 A dugattyú visszahúzása és kiengedése

- A váltószелеp karja 3 állásba kapcsolható: Az 1-es állásban a dugattyú rúdja visszahúzódik. Az 2-es állásban a dugattyú rúdja leáll. Az 3-es állásban a dugattyú rúdja lenyomódik. 13. ábra

##### 4.2.3 Használat

- Állítsa a kart a 3-as állásba, majd engedje fel a hidraulikus pedált, ekkor a dugattyú rúd gyorsan lenyomódik. Figyelem: Ezzel egyidőben NE HASZNÁLJA a kézi működtetést (kézi alacsony nyomású üzemmód)!

- Amikor a fogazott nyereg megközelíti a munkadarabot, váltsa kézi működtetésre.

- Szükség esetén korrigálja a munkadarab helyzetét, hogy a munkadarab és a dugattyú rúd egymáshoz képest megfelelő helyen legyen.

- Kezdje meg a munkadarab préselését. Helyezze be a csöves kézikart a nagy nyomású üzemmód foglalatába (P31) és a kézikarral végezzen pumpáló mozgást. Ekkor a dugattyú rúd lassan lenyomódik és elkezd a munkadarab préselését. A gépkezelő hidraulikus préselését, illetve egyidejű hidraulikus és kézi préselés is végezhet.

- Nyomás megszüntetése: Állítsa a kart a 2-as állásba, a dugattyú rúdra kifejtett nyomás automatikusan megszűnik.

- Visszahúzás dugattyúrúd : Állítsa a kart a 1-as állásba, és működik légi vagy kézi. Figyelem: Ezzel egyidőben NE HASZNÁLJA a kézi működtetést (kézi alacsony nyomású üzemmód)!

- Ha elkészült, válassza le a levegő tömlőt a kompresszor és tisztítsa meg a készüléket.

**⚠ WARNING** Ne lépje túl az emelőkocsi terhelési korlátját / névleges teljesítményét.

**⚠ WARNING** Ügyeljen arra, hogy a gép működtetése közben a kezelő viseljen védőruhát, védőkesztyűt, védősisakot, védőlábbelit és hallásvédőt.

**⚠ WARNING** A balesetek elkerülése érdekében mindig ügyeljen a gépen folyó munkára. Mindig a munka elvégzésére koncentrálnon.

**⚠ WARNING** A terméket és a tartozékait tilos módosítani.

## 5. Karbantartási utasítások

**⚠ Caution** Ne használjon sérült/deformálódott terméket. Ha szokatlan zajt vagy vibrációt tapasztal, azonnal hagyja abba a használatot, ezután vizsgálja át a terméket, és kérjen segítséget a gyártótól. Ajánlott az átvizsgálást a gyártó vagy a szállító hivatalos szervizével elvégeztetni.

**⚠ Caution** A leggyakoribb oka a hidraulikus emelők meghibásodásának a kosz. Tartsa tisztán és megfelelően megkenve a szervizemelőt, hogy elkerülje az idegen anyag bejutását a rendszerbe. Ha az emelő esőnek, hónak, homoknak vagy sárnak volt kitéve, akkor azt a használat előtt meg kell tisztítani.

Az emelőt úgy tárolja, hogy a dugattyúk teljesen be legyenek húzva, emellett jól védett területen, hogy ne legyen kitéve korrodáló gőzöknek, karcoló poroknak vagy bármilyen más káros hatásnak.

Rendszeresen ellenőrizze a termék állapotát.

A terméket száraz, nem korrodáló környezetben tárolja.

A tulajdonosoknak és/vagy kezelőknek tisztában kell lenniük azzal, hogy a termék javítása speciális tudást és eszközöket igényelhet. Javasolt a terméket évente átvizsgáltatni a gyártó vagy a szállító hivatalos szervizével, az esetleges hibás alkatrészeket, matricákat és biztonsági címkéket vagy jelzéseket a gyártó vagy a szállító által biztosított alkatrészre cserélni. A hivatalos szervizek listája elérhető a gyártónál vagy a szállítónál, kérjen azoktól segítséget.

A barmilyen módon sérültnak, kopottnak tűnő vagy szokatlanul működő terméket A JAVÍTÁSIG KI KELL VONNI A HASZNÁLATBÓL. Javasolt a szükséges javításokat a gyártó vagy a szállító hivatalos szervizével elvégeztetni, ha a gyártó vagy a szállító engedélyezi a javítást.

Csak a gyártó által biztosított kiegészítők és/vagy adapterek használhatók.

A tervezés már érvényesített szerint: ASME ASP-2010

## 7. Megfelelőségi nyilatkozat

Mi, a: **CHICAGO PNEUMATIC Tool Co. LLC, 1815 Clubhouse Road, Rock Hill, SC 29730 - USA**

kijelentjük, hogy az alábbi termék(ek): **CP86750/CP86100**

Sorozatszám: 00001 és 99999 között

Géptípus(ok): **Hidraulikus prés** A termék származása: **Kína**

megfelel(nek) a tagországok törvényeiben megfogalmazott, alábbiakban szereplő tanácsí Irányelvek követelményeinek: „Gépek, berendezések”

**2006/42/EC (17/05/2006)**

vonatkozó harmonizált szabvány(ok): **EN 13736 : 2003 + A1 : 2009**

Kibocsátó neve és beosztása: **Pascal Roussy (R&D Manager)**

Hely, dátum: **Saint-Herblain, 10/04/2020**



A műszaki leírás az EU-s képviseletől szerezhető be. Nicolas Lebreton R&D manager CP Technocenter 38, rue Bobby Sands - BP10273 44800 Saint Herblain - France

Az eredeti útmutatót angol nyelven íródott. Más nyelveken az eredeti útmutató fordítása érhető el.

## Copyright 2020, Chicago Pneumatic Tools

Minden jog fenntartva. A tartalom vagy annak egy részének illetéktelen felhasználása vagy másolása tilos. Ez különösen vonatkozik a védjegyekre, típusnevekre, cikkszámokra és rajzokra. Csak jóváhagyott alkatrészeket használjon! A nem jóváhagyott alkatrészek használatából eredő sérülésekre vagy üzemzavarokra nem vonatkozik a Garancia vagy a Termékszavatosság.

## 1. Tehnični podatki (glej slike 1.)

Mere	Teža	zmogljivost	zračni tlak		A	B	C	F	E
Enota	[kg]	[kg]	[bar]	[mm]	[mm]	[mm]	[mm]	[mm]	[mm]
CP86750	498	75000	7.5-8.5	1140	800	1840	245	800	
CP86100	766	100000	7.5-8.5	1200	990	1830	300	787	

Mere	F1	F2	R(Hod)	M	Voil	Tlak hidravličnega sistema	Zvočni tlak	Zvočna moč	Merilna negotovost K
Enota	[mm]	[mm]	[mm]	[mm]	[l]	[MPa]	[dB(A)]	[dB(A)]	
CP86750	170	884	250	260	4.5	59.92	75.4	91.1	4.8
CP86100	114	814	300	235	5.6	63.69	75.4	91.1	4.8

Koeficient statičnega preizkusa: 1.5 / Koeficient dinamičnega preizkusa: 1.25 .

Vse vrednosti veljajo kot tekoče od datuma te izdaje. Za najnovejše informacije obiščite stran [www.cp.com](http://www.cp.com).

**Deklaracija o hrupu in vibracijah** : Te navedene vrednosti so bile pridobljene z laboratorijskim testiranjem v skladu z navedenimi standardi in so primerne za primerjavo z drugimi deklariranimi vrednostmi drugih testiranih orodij v skladu s temi standardi. Te vrednosti niso primerne za uporabo pri oceni tveganja. Vrednosti, izmerjene v posameznih delovnih prostorih, so lahko višje od navedenih vrednosti. Dejanske vrednosti izpostavljenosti in nevarnosti za poškodbe, ki jih izkusi posamezni uporabnik, so edinstvene od načina dela posameznika, obdelovanca in zasnovne delovne postaje; pa tudi od trajanja izpostavljenosti in telesnega stanja uporabnika. Mi, CHICAGO PNEUMATIC TOOLS, ne odgovarjamo za posledice uporabe navedenih vrednosti namesto vrednosti, ki odražajo dejansko izpostavljenost, v individualni oceni tveganja na delovnem mestu, na katero ne moremo vplivati. To orodje lahko ob neprimerni uporabi povzroči vibracijsko bolezen v dlaneh in rokah. Vodič EU za obvladovanje vibracij v dlaneh in rokah najdete na [www.pneurop.eu/uploads/documents/pdf/PN3-02-NV\\_Declaration\\_info\\_sheet\\_0111.pdf](http://www.pneurop.eu/uploads/documents/pdf/PN3-02-NV_Declaration_info_sheet_0111.pdf) Priporočamo program zdravstvenega nadzora za zgodnje odkrivanje simptomov, povezanih z izpostavljenostjo vibracijam, da se lahko z ustreznimi organizacijskimi ukrepi preprečijo nadaljnje poškodbe.

## 2. vrsta stroja (oziroma vrste)

- Tukaj opisane naprave so upravljane ročno in s pomočjo neobveznega zračno hidravličnega podpornega sistema, ki pri sestavljanju ali razsta-vljanju naprave uporablja tlak na določenih delih naprave.
- Za brezhibno delovanje stiskalnice ne smete preseči največje zmogljivosti ali uporabiti večjega tlaka, kot je potreben.
- Uporaba v druge namene ni dovoljena. Samo za profesionalno uporabo.
- Prosimo, upoštevajte tudi varnostne informacije o izdelku!

## 3. Navodila za montažo

Vzlet vijaki, podložke iz vseh delov pred montažo.

- Pred prvo uporabo stiskalnice morate odstraniti embalažo, namestiti noge, mizo in merilnik tlaka. Ta opravila lahko opravite v različnih položajih, vendar ne pozabite, da so to težki elementi, ki potrebujejo pomoč drugih oseb ali mehanskih priprav.
- S priloženimi vijaki pritrdite noge na ohišje, plošči pa na osi B, kot je prikazano na sliki 02, ki ste ju pred tem nastavili na konce stebrov v Zeleni delovni višini, slika 02. Z vijaki, podložkami, varovalnimi in navadnimi maticami pritrdite osnovo in oporo na levo in desno povezovalno ploščo
- Črpalko odmaknite, kot je prikazano na sliki 07 (CP86750), sliki 09 (CP86100), v zunanji položaj, vijak in podložko, ki ste ju pravkar odvijli, uporabite za čvrsto privijanje na desno povezovalno ploščo.
- Namestitev manometra: Manometer namestite na hidravlično enoto na zgornjem delu stiskalnice, slika 06. Odstranite kovinski pokrov, namestite manometer, pri čemer se prepričajte, da O-obroč v ohišju manometra po namestitvi ostane na dnu.
- Sestavite cev za olje : sliki.08 ( CP86750 ), sliki.10 ,sliki.11 ( CP86100 ).
- Pri premikanju naprave uporabite ustrezno dvizžno opremo in upoštevajte navodila, kot je prikazano na sliki 02.

**⚠ Caution** Med delovanjem stroja morate pred in za strojem zagotoviti prazno delovno območje 1 m, tako da je stroj ves čas lahko dostopen

Odstranite zrak iz hidravličnega sistema:

- Odprite izpustni ventil tako, da ga obrnete v nasprotni smeri urinega kazalca in odprete odzračevalni ventil, slika 07.
- Nato s hidravlično enoto nekajkrat prečrpajte. Nato do konca obrnite izpustne ventile v smeri urinega kazalca. Hidravlična enota je zdaj pripravljena za uporabo.

## 4. Delovanje

**⚠ WARNING** Pred prvo uporabo pritrdite stroj na tla s sidrnim vijakom. Zagotoviti morate, da je površina postavitve stroja trdna in vodoravna in da je delovna površina zadostno osvetljena.

**⚠ WARNING** Za zmanjšanje tveganja poškodb preberite in upoštevajte ločeno posredovana varnostna navodila in varnostne informacije na stiskalnici, slika 16.

**⚠ WARNING** Ko stiskalnice ne uporabljate, naj bo bat v skrčenem položaju.

**⚠ WARNING** Ploščo zavarujte v ustreznem položaju in jo čvrsto pritrdite s sorniki. Primež namestite na ploščo, slika 02, nato pa vanj vpnite obdelovanec.

- Primež morate uporabljati v parih, ne samo posamičnih enot!
- Stiskalnico sme upravljati le ena oseba.

### 4.1 Delovanje Navodila za CP86750

- Zaprite izpustna ventila, slika 07, tako, da ju obrnete v smeri urinega kazalca, dokler nista čvrsto zaprta.
- Ročico/nožni pedal pritisčajte, dokler se nazobčana čeljust ne približa obdelovanču.
- Obdelovanec poravnajte in potolcite, da bo obremenitev na sredini.
- Pritisčajte ročico/nožni pedal, da obremenite obdelovanec (upoštevajte številčne oznake na merilniku tlaka).
- Ko končate z delom, nehaite pritiskati na ročico/nožni pedal, počasi in previdno razbremenite obdelovanec tako, da izpustni ventil v majhnih presledkih obračate v nasprotno smer urinega kazalca (obračajte pod malim kotom, največji znaša dva kroga, slika 17).
- Ko se primež popolnoma razpre, odstranite obdelovanec s plošče.

#### 4.2 Delovanje Navodila za CP86100

##### 4.2.1 Dva načina upravljanja:

• Ročno upravljanje: Vstavite cev (50) v odprtini držala. Na voljo sta dve odprtini držala. Zgornja (31) je za visok tlak in manjšo hitrost, spodnja (43) pa za nizek tlak in večjo hitrost. slika 12.

• Zračno upravljanje: Odzračite spodnji zračni ventil (61, slika 08)

##### 4.2.2 Krčenje in raztezanje bata

• Trije položaji za dvignjen ročaj izbirnega ventila: ko je v položaju 1, se palica bata krči. ko je v položaju 2, se palica bata ustavljanje gibanja. ko je v položaju 3, se palica bata raztezanja. slika 13.

##### 4.2.3 Delovanje

• Obrnite ročaj v položaj 3, nato odzračite spodnji zračni ventil in palica bata se bo hitro raztegnila. Pozor: NIKOLI hkrati ne upravljajte ročno (ročni nizki tlak).

• Ko se nazobčano sedlo približa obdelovancu, preklpite na ročno upravljanje.

• Prilagodite položaj obdelovanca, s čimer poskrbite, da sta obdelovanec in palica bata pravilno poravnana.

• Začnite stiskati obdelovanec. Vstavite cev v visokotlačno odprtino (P31) in jo premikajte navzgor in navzdol, palica bata se počasi raztegne in stisne obdelovanec. Upravljaavec lahko hkrati stiska z zrakom ali ročno.

• Sprostitev tlaka: Obrnite ročaj v položaj 2, tlak na palici bata se bo sprostil samodejno.

• Povratni batnice: Obrnite ročaj v položaj 1, in delujejo po zraku ali priročnik. Pozor: NIKOLI hkrati ne upravljajte ročno (ročni nizki tlak).

• Ko je končano, odklopite cev zraka iz kompresorja in čiščenje stroja.

**⚠ WARNING** Delovne obremenitve/nominalne zmogljivosti transportnega vozička ne smete preseči.

**⚠ WARNING** Zagotovite, da mora upravljaavec med obratovanjem nositi zaščitna oblačila, rokavice, varnostno čelado, čevlje in zaščito za sluh.

**⚠ WARNING** Da preprečite nesreče, se vedno zavedajte dela, ki se izvaja na stroju. Prav tako se osredotočajte na delo, ki ga je treba opraviti.

**⚠ WARNING** Tega izdelka in njegovih priključkov ni dovoljeno spreminjati.

## 5. Navodila za vzdrževanje

**⚠ Caution** Ne uporabljajte poškodovanega/deformiranega izdelka. Če se pojavijo nenavaden zvok ali vibracije, takoj prenehajte uporabljati, nato pa preverite in prosite proizvajalca za pomoč. Priporočamo, da to preverjanje izvedejo v pooblaščenem servisu proizvajalca ali dobavitelja.

**⚠ Caution** Največji posamični vzrok odpovedi hidravličnih enot je umazanija. Servisno dvigalko ohranjajte čisto in dobro namazano, da preprečite vstop tujkov v sistem. Če je bila dvigalka izpostavljena dežju, snegu, pesku, ali prudu, jo je treba pred uporabo očistiti. Dvigalko shranite s popolnoma umaknjenimi bati v dobro zaščitenem območju, kjer ne bo izpostavljen korozivnim hlapom, abrazivnemu prahu, ali kakršnim koli drugim škodljivim elementom.

Periodično preverjajte stanje izdelka.

Izdelek shranjujte v suhem okolju brez korozije.

Lastniki in/ali uporabniki se morajo zavedati, da popravilo te opreme zahteva specialistično znanje in prostore. Priporočamo, da izdelek vsako leto pregleda pooblaščen servis proizvajalca ali dobavitelja in da okvarjene dele, etikete ali varnostne nalepke ali oznake zamenja z deli, ki jih je navedel proizvajalec ali dobavitelj. Seznam pooblaščenih servisov je na voljo pri proizvajalcu ali dobavitelju. Pokličite jih za pomoč.

Izdelka, ki na kakršen koli način kaže, da je poškodovan, obrabljen ali deluje nenormalno, je NI DOVOLJENO UPORABLJATI, DOKLER NI

POPRAVLJEN. Priporočamo, da potrebna popravila opravi pooblaščen servis proizvajalca ali dobavitelja, če jih dovoljuje proizvajalec ali dobavitelj.

Uporabiti je dovoljeno le dodatke in/ali adapterje proizvajalca.

Zasnova je bila potrjena v skladu: ASME ASP-2010

## 7. IZJAVA ES O SKLADNOSTI

Mi: **CHICAGO PNEUMATIC Tool Co. LLC, 1815 Clubhouse Road, Rock Hill, SC 29730 - USA**

Izjavljamo, da je izdelek (oziroma izdelki): **CP86750/CP86100**

Serijska št. od 00001 do 99999

vrsta stroja (oziroma vrste): **Hidravlična stiskalnica** Izvor izdelka: **Kitajsko**

v skladu z zahtevami direktiv Sveta Evrope o približevanju zakonodaje držav članic glede : „strojev“ **2006/42/EC (17/05/2006)**

veljavnih harmoniziranih standardov: **EN 13736 : 2003 + A1 : 2009**

Ime in funkcija izdajatelja: **Pascal Roussy (R&D Manager)**



Kraj in datum: **Saint-Herblain, 10/04/2020**

Tehnična kartoteka je na voljo. Nicolas Lebreton R&D manager CP Technocenter 38, rue Bobby Sands - BP10273 44800 Saint Herblain - France

Originalna navodila so v angleškem jeziku. Drugi jeziki so prevodi izvirnih navodil.

## Copyright 2020, Chicago Pneumatic Tools

Vse pravice pridržane. Vsaka nepooblaščen uporaba ali kopiranje vsebine ali dela vsebine sta prepovedani. To se še posebej nanaša na tovarniške zaščitne znamke, nazive modelov, številke delov in risbe. Uporabljajte samo odobrene nadomestne dele. Vsaka poškodba ali motnje v delovanju, ki so rezultat uporabe neodobrenih nadomestnih delov, niso krite z Garancijo

**1. Techniniai duomenys (žr. brėžinius 1.)**

Matmenys	Svoris	galingumas	Oro slėgio	A	B	C	F	E
Įrankis	[kg]	[kg]	[bar]	[mm]	[mm]	[mm]	[mm]	[mm]
CP86750	498	75000	7.5-8.5	1140	800	1840	245	800
CP86100	766	100000	7.5-8.5	1200	990	1830	300	787

Matmenys	F1	F2	R(Smūgis)	M	Voil	Slėgis hidraulinėje sistemoje	Garso slėgis	Garso stiprumas	paklaida K
Įrankis	[mm]	[mm]	[mm]	[mm]	[l]	[MPa]	[dB(A)]	[dB(A)]	
CP86750	170	884	250	260	4.5	59.92	75.4	91.1	4.8
CP86100	114	814	300	235	5.6	63.69	75.4	91.1	4.8

Statinis testo koeficientas: 1.5 / Dinaminis testo koeficientas: 1.25.

Visos pateiktos vertės galioja leidinio išleidimo metu. Naujausios informacijos ieškokite internete adresu [www.cp.com](http://www.cp.com).

**Deklaruojamas garso lygis ir vibracijos emisija** : Šios deklaruotos vertės buvo gautos laboratorinio testavimo metu pagal nustatytus standartus ir nėra tinkamos naudoti šio įrankio keliamai rizikai vertinti ar kitoms įrankiams vertinti pagal tuos pačius standartus. Vertės išmatuotos asmeninėse darbo vietose gali būti didesnės nei deklaruotos vertės, todėl rizikos vertinimui netinka. Tikrosios keliamos rizikos vertės ir atskiro naudotojo patiriamas rizikos faktorius yra unikalūs ir priklauso nuo atliekamo darbo pobūdžio bei darbo vietos konstrukcijos, nuo to, kaip ir kiek laiko naudojotas dirba, o taip pat nuo fizinės naudotojo būklės. „CHICAGO PNEUMATIC TOOLS“ neatsako už pasekmes, jei deklaruotos vertės naudojamos vietoj tikrajai keliamą riziką atitinkančių verčių vertinant faktinėje darbinėje situacijoje, kurios mes nevaldomė. Netinkamai naudojamas įrankis gali sukelti plaštakos ir rankos vibracijos sindromą. Vibravimą rankai perduodančių įrankių ES sąvada galite rasti internete [www.pneurop.eu/uploads/documents/pdf/PN3-02-NV\\_Declaration\\_info\\_sheet\\_0111.pdf](http://www.pneurop.eu/uploads/documents/pdf/PN3-02-NV_Declaration_info_sheet_0111.pdf) Mes siūlome sveikatos priežiūros programą, skirtą ankstyviems galimai su patriama vibracija ar triukšmu susijusiems simptomams nustatyti ir programą, patariamą kaip organizuoti darbus, kad būtų išvengta neigiamo poveikio ir pakenkimų.

**2. įrankis**

- Šiame dokumente aprašyti įrankiai yra valdom rankiniu būdų arba naudojant pneumo-hidraulinį suportą (pasirenkama), kuris prispaudžia detales ir jas sumontuoja arba išmontuoja.
- Niekada neviršykite prietaiso maksimalios galios ir niekada nenaudokite didesnio nei reikia slėgio, taip pailginsite prietaiso eksploataavimo laiką.
- Draudžiama įrankį naudoti kietokiems tikslams. Tik profesionaliam naudojimui.
- Prašome laikytis saugaus darbo su įrankiu taisyklių!

**3. Montavimo instrukcija**

- Nuimkite varžtus, poveržles iš visų pusių prieš montuojant.
- Prieš naudodami presą pirmą kartą jį išpakuokite, sumontuokite kojas, stalą ir slėgio manometrą. Visus šiuos veiksmus galima atlikti įvairiose padėtyse, tačiau įrengimas yra sunkus ir būtina pasirinkti reikiamoms pagalbinėmis mechaninėmis priemonėmis arba pasikviesti pagalbininkų.
- Kojos prie pakrindo tvirtinamos komplekte pateiktais varžtais, o stalai tvirtinami prie dviejų B ašių (žr. 2 pav.), kurios tvirtinamos prie kolonų pasirinktame darbiniam aukštyje (žr. 2 pav.). Varžtais, poveržlėmis, stabdikliais ir veržlėmis pritvirtinkite pagrindinę sekciją ir laikiklį prie kairės ir dešinės tvirtinimo plokštelių.
- Siurbį pritvirtinkite taip, kaip pavaizduota 07 pav. ( CP86750 ), 09 pav. ( CP86100 ) : anksčiau naudotu varžtu su poveržle prisukite agregatą prie išorinės kolonos pusės esančios dešiniojos montavimo plokštės ir gerai priveržkite.
- Manometro tvirtinimas: Manometras turi būti pritvirtintas prie preso viršutinėje dalyje sumontuotos hidraulinės sistemos (06 pav.). Nuimkite metalinį gaubtą ir pritvirtinkite manometrą; pasirūpinkite, kad manometro viduje esantis žiedo formos tarpiklis montavimo metu būtų apačioje.
- Surinkite alyvą žarną : 08 pav. ( CP86750 ), 10 pav., 11 pav. ( CP86100 ).
- Mašinos transportavimui naudokite tik tinkamus kėlimo įrenginius ir laikykites instrukcijose pateiktų nurodymų (02 pav.).

**⚠ Caution** Darbo metu prieš ir už preso turi būti paliktas laisvas 1 m darbinis plotas, kad prie mechanizmo visada būtų lengva prieiti.

- Pašalinkite iš hidraulinės sistemos orą:
  - Norėdami nuorinti hidraulinę sistemą, sukdami prieš laikrodžio rodyklę atsukite atpalaidavimo sklendę ir atidarykite alyvos išleidimo sklendę (07 pav.).
  - Tada kelis kartus papumpuokite hidraulinį mechanizmą. Sukdami pagal laikrodžio rodyklę tvirtai užsukite atpalaidavimo sklendes. Hidraulinė sistema parengta darbui.

**4. Įrankio naudojimas**

- ⚠ **WARNING** Prieš pradėdami darbą pritvirtinkite mažiną prie grindų specialiais tvirtinimo varžtais. Presas turi stovėti ant tvirto, lygaus ir horizontalaus pagrindo, darbo vieta turi būti tinkamai apšviesta.
- ⚠ **WARNING** Prieš pradėdami eksploatuoti presą atidžiai perskaitykite saugaus darbo ir įrangos eksploataavimo instrukcijas, pateiktas 16 pav., taip išvengsite galimų sužalojimų.
- ⚠ **WARNING** Baigę darbą su presu stūmoklį iki galo sustumkite.
- ⚠ **WARNING** Stalą pastumkite į reikiamą padėtį ir užfiksokite specialiais kaiščiais. Ant stalo padėkite V firmos bloką, 2 pav., ir įstatykite jį į ruošinį.
  - V formos bloka turi būti naudojami poromis, o ne po vieną!
  - Su presu gali dirbti tik vienas asmuo.

**4.1 Operacija instrukcija CP86750**

- Sukdami pagal laikrodžio rodyklę tvirtai užsukite abi atpalaidavimo sklendes, 7 pav.
- Pumpuokite rankena/pedalu tol, kol prie ruošinio priartės dantytas balnelis.
- Sulygiuokite į raišnią liniją ruošinį ir stumtuvą, sucentruokite apkravą.
- Pumpuokite rankena/pedalu ir prispauskite ruošinį (stebėkite preso manometrą).
- Baigę darbą nustokite pumpuoti pedalu ar rankena, pamažu atsargiai prieš laikrodžio rodyklę sukdami atpalaidavimo sklendę nuimkite nuo ruošinio krūvį (sukite pamažu, nedideliais intervalais, daugiausiai galima atsukti du pilnus apsisukimus).
- Iki galo atitraukite stumtuvą ir nuimkite ruošinį nuo stalo.

#### 4.2 Operacija instrukcija CP86100

##### 4.2.1 Du naudojimo būdai:

- Rankinis valdymas: įkiškite rankenos vamzdį (50) į tam skirtą movą. Įrenginyje yra sumontuotos 2 rankenai skirtos movos. Viršutinė (31) yra skirta dideliam slėgiui ir mažam greičiui; apatinė (43) yra skirta mažam slėgiui ir dideliam greičiui. 12 pav.
- Pneumatinis valdymas: Nuspauskite pneumatinio valdymo pedalą (61, 08 pav).

##### 4.2.2 Stūmoklio išstūmimas ir įtraukimas

- 3 rankinio skirstytuvo vožtuvo valdymo svirties padėties: Pastūmus į 1 padėtį stūmoklio strypas įtraukiamas. Pastūmus į 1 padėtį stūmoklio strypas veikimo sustabdymas. Pastūmus į 1 padėtį stūmoklio strypas išstūmimas. 13 pav.

##### 4.2.3 Įrankio naudojimas

- Pastumkite svirtį į 3 padėtį, nuspauskite pneumatinio valdymo pedalą ir stūmoklio strypas bus staigiai išstumtas. Perspėjimas: NIEKADA tuo pat metu nesinaudokite ir žemo slėgio rankinio valdymo prietaisais.
- Dantytai atramai priartėjus prie ruošinio persjunkite į rankinį valdymą.
- Tinkamai sulgyjuokite ruošinį su stūmoklio strypu.
- Pradėkite presuoti ruošinį. Įkiškite rankenos vamzdį į aukšto slėgio movą (P31) ir pradėkite pumpuoti. Stūmoklio strypas lėtai išsistums ir prispaus ruošinį. Presavimą galima atlikti pneumatiniu būdu arba pneumatiniu ir rankiniu būdais vienu metu.
- Išleiskite iš sistemos orą ir sumažinkite slėgį. Pastumkite svirtį į 2 padėtį. Stūmoklio strypą veikiantis slėgis sumažės automatiškai.
- Traukimas iš stūmoklio koto: Pastumkite svirtį į 1 padėtį, ir veikite oro ar vadovą. Perspėjimas: NIEKADA tuo pat metu nesinaudokite ir žemo slėgio rankinio valdymo prietaisais.
- Kai baigtas, atjunkite oro žarną nuo kompresoriaus ir valyti mašiną.

**⚠ WARNING** Neviršykite vežimėlio darbinės apkrovos apribojimų / įrankio projekcinio galingumo.

**⚠ WARNING** Pasirūpinkite, kad įrankio operatorius vilkėtų apsauginius drabužius, mūvėtų pirštines, avėtų apsauginius batus, dėvėtų šalną ir ausų apsaugas.

**⚠ WARNING** Būkite atsargus, stebėkite visus su transporto priemone atliekamus darbus. Susikauptkite ir būkite atidus.

**⚠ WARNING** Šį įrankį ir jo priedus modifikuoti draudžiama.

## 5. Techninės priežiūros instrukcijos

**⚠ Caution** Niekada nenaudokite pažeistų arba deformuotų įrankių. Išgirdę neįprastą garsą arba pajutę vibraciją nedelsdami nutraukite darbus, patikrinkite įrankius ir kreipkitės į gamintoją. Patikrą rekomenduojame patikėti gamintojo arba tiekėjo įgaliotai remonto įmonei.

**⚠ Caution** Dažniausiai pasitaikanti domkrato triukščių priežastis yra purvas ir nešvarumai. Pasirūpinkite, kad domkratas visada būtų švarus ir gerai suteptas, kad į sistemą nepatektų jokių nešvarumų. Jei domkratas sušlapo lietuje, apsnigo, užsiteršė smėliu ar dulkmėmis, prieš naudojimą jį gerai išvalykite.

Domkratą laikykite su visiškai sustumtais stūmokliais, taip apsaugosite juos nuo kenksmingų garų, abrazyvių dalelių ir kitų kenksmingų veiksmių. Reguliariai tikrinkite įrankio būklę.

Laikykite įrankį sausoje vietoje, saugokite nuo korozijos.

Šio įrankio savininkai ir naudotojai turi žinoti, kad šio prietaiso remontui reikalingos žinios ir specialūs įrankiai. Kartą per metus rekomenduojame pasirūpinti, kad įrankį patikrintų įgaliotos gamintojo arba tiekėjo remonto įmonės specialistai pakeisę defektuotas bei nusidėvėjusias įrankio dalis bei įsėjamuosius lipdukus. Įgaliotų remonto įmonių sąrašo teiraukitės pas gamintoją arba tiekėją.

Nusidėvėjęs, pažeistas arba sugedęs įrankis NEDELSIANT TURI BŪTI PAŠALINTAS IŠ DARBO VIETOS IR SUREMONTUOTAS. Remonto ir priežiūros darbus rekomenduojame patikėti tik gamintojo arba tiekėjo įgaliotos remonto įmonės specialistams.

Su įrankiu galima naudoti tik gamintojo tiekiamus priedus bei adapterius.

Dizainas buvo patvirtintas pagal: ASME ASP-2010

## 7. Atitikties deklaracija

Mes: **CHICAGO PNEUMATIC Tool Co. LLC, 1815 Clubhouse Road, Rock Hill, SC 29730 - USA**

patvirtiname, kad šis produktas -: **CP86750/CP86100** Serijos Nr.: 00001 - 99999

įrankis: **Hidraulinis presas** produkto kilmės vieta: **Kinija**

atitinka visų Europos komisijos direktyvų bei atitinkamų šalių - narių įstatymų reikalavimus, susijusius su „įrankiais“ **2006/42/EC (17/05/2006)**

bei jiems taikomus harmonizuotus standartus: **EN 13736 : 2003 + A1 : 2009**

Išdavusio asmens pavardė ir pareigos: **Pascal Roussy (R&D Manager)**

Vieta ir data: **Saint-Herblain, 10/04/2020**



Techninius duomenis galite gauti ES būstinėje. Nicolas Lebreton R&D manager CP Technocenter 38, rue Bobby Sands - BP10273 44800 Saint Herblain - France

Originalios instrukcijos yra surašytos anglų kalba. Kitomis kalbomis yra pateikti originalių instrukcijų vertimai.

## Copyright 2020, Chicago Pneumatic Tools

Saugoma autoriųjų teisių įstatymu. Bet koks nesankcionuotas šio dokumento ar jo dalies kopijavimas yra draudžiamas. Šis draudimas konkrečiai taikomas prekiniams ženklams, modelių pavadinimams, detalių numeriams ir brėžiniams. Naudokite tik gamintojo tiekiamas dalis. Garantiniai įsipareigojimai bei atsakomybė už produktą netaikoma jokiais įrankio gedimo ar netinkamo veikimo atvejais, jei tai atsitiko dėl ne gamintojo nepatvirtintų dalių naudojimo.

**1. Tehniskie dati (Redzēt skaitļus 1.)**

Izmēri	Svars	jauca	gaisa spiediens	A	B	C	F	E
Vienība	[kg]	[kg]	[bar]	[mm]	[mm]	[mm]	[mm]	[mm]
CP86750	498	75000	7.5-8.5	1140	800	1840	245	800
CP86100	766	100000	7.5-8.5	1200	990	1830	300	787

Izmēri	F1	F2	R (Virzuļa gājiens)	M	Voil	Hidrauliskās sistēmas spiediens	Skaņas spiediens	Skaņas jauca	Mainīgums K
Vienība	[mm]	[mm]	[mm]	[mm]	[l]	[MPa]	[dB(A)]	[dB(A)]	
CP86750	170	884	250	260	4.5	59.92	75.4	91.1	4.8
CP86100	114	814	300	235	5.6	63.69	75.4	91.1	4.8

Statiskās pārbaudes koeficients: 1.5 / Dinamiskās pārbaudes koeficients: 1.25 .

Visas vērtības ir spēkā šīs publikācijas izdošanas datumā. Jaunāko informāciju skatiet tīmekļa vietnē [www.cp.com](http://www.cp.com).

**Trokšņa un vibrāciju deklarācija :** Šis noteiktās vērtības iegūtas, veicot laboratorijas pārbaudes saskaņā ar noteiktajiem standartiem, un nav piemērotas novērtēšanai ar citu instrumentu noteiktajām vērtībām, kas pārbaudīti pēc tiem pašiem standartiem. Šis noteiktās vērtības nav piemērotas risku novērtēšanai ar atsevišķas darba vietas iegūtas vērtības var būt augstākas par noteiktajām vērtībām. Patiesās iedarbības vērtības un atsevišķa lietotāja pieredzētais bojājumu risks ir unikāls un atkarīgs no lietotāja darba, apstrādājamas detaļas un darba vietas konstrukcijas, kā arī no iedarbības ilguma un lietotāja fiziskā stāvokļa. Mēs, RODCRAFT PNEUMATIC TOOLS, nevaram nest atbildību par sekām, kas rodas, ja noteiktās vērtības tiek izmantotas patieso iedarbību atspoguļojošu vērtību vietā, veicot individuālu riska novērtējumu darba vietā un situācijā, ko nespējam kontrolēt. Šis risks var izraisīt plaukstu-roku vibrācijas sindromu, ja tas netiek lietots pareizi. ES ceļvedis plaukstu-roku vibrāciju novērtēšanai atrodams tīmekļa vietnē [www.pneurop.eu/uploads/documents/pdf/PN3-02-NV\\_Declaration\\_info\\_sheet\\_0111.pdf](http://www.pneurop.eu/uploads/documents/pdf/PN3-02-NV_Declaration_info_sheet_0111.pdf) Iesakām izmantot veselības novērošanas programmu, lai atklātu agrīnus simptomus, kas varētu būt saistīti ar vibrāciju iedarbību, vai varētu mainīt atbilstošu darba organizāciju, nepieļaujot turpmāku stāvokļa pasliktināšanos.

**2. Ierīces veids(-i)**

- Šeit aprakstīts ierīces tiek darbinātas manuāli un ar gaisa-hidraulikas palīdzību (izvēles), kas nodrošina ar spiedienu detaļas montāžas vai demontāžas nolūkos.
- Nekad nepārsniedziet maksimālo noslodzi un nepiemērojiet vairāk spiediena nekā nepieciešams, lai nesabojātu presi.
- Cita vieda izmantošana nav atļauta. Paredzēts lietot tikai profesionāliem mērķiem.
- Lūdzu, ievērojiet arī ierīces drošības informāciju!

**3. Uzstādīšanas norādījumi**

Pacelšanās skrūves, paplāksnes no visām daļām pirms montāžas.

- Pirms pirmās preses lietošanas reizes nepieciešams izpakt, uzstādīt kāju, galdu un spiediena mērītāju. Šos darbus var veikt dažādās vietās, bet atcerieties, ka šis ir smagās detaļas, kuru uzstādīšanai nepieciešama citu cilvēku palīdzība vai mehānisku līdzekļu izmantošana.
- Kāja jāpiestiprina pie šasijas, izmantojot komplektācijā iekļautās skrūves, un galda virsmas jāpiestiprina pie divām B asīm (02. att.), kas iepriekš ir novietotas balstu ārmaļās, vadoties pēc izvēlētajā darba augstuma (02. att.). Pievienojiet pamata daļu un balstiet pret kreiso un labo savienojuma plāksni, izmantojot bultskrūvi, paplāksni, sprostaplāksni un uzgriezni.
- Pavirziet sūkņa konstrukciju (07. att.) ( CP86750 ), (09. att.) ( CP86100 ), uz balsta ārmaļu, izmantojiet bultskrūvi un paplāksni, ko tikko izjaucāt, lai cieši pievilktu pie labās savienojuma plāksnes.
- Manometra novietošana: Manometrs jānovieto uz hidrauliskās ierīces, kas atrodas preses augšdaļā (06. att.). Noņemiet metāla pārsegu, novietojiet manometru, pārliecinoties, ka O-gredzenveida blīve, kas atrodas manometra apvalkā, paliek apakšējā daļā pēc uzstādīšanas.
- Salieciet eļļas šūteni : 08. att. ( CP86750 ), 10. att. ,11. att. ( CP86100 ).
- Iekārtas aprīkošanas laikā izmantojiet atbilstošu ceļšāšanas aprīkojumu un ievērojiet norādījumus, kas sniegti 02. att.

**⚠ Caution** Darba zona 1 m lielumā gan mašīnas priekšpusē, gan aizmugurē jāatstāj brīva, lai tai vienmēr būtu viegli piekļūt.

Izslaidiet gaisu no hidrauliskās sistēmas:

- Atveriet izplūdes vārstu, griežot pretēji pulksteņrādītāja kustības virzienam, un atveriet atgaisošanas vārstu (07. att.).
- Tad sūkņēdai hidraulisko ierīci vairākas reizes. Tad pilnībā aizgrieziet izplūdes vārstus pulksteņrādītāja kustības virzienā. Hidrauliskā ierīce ir gatava lietošanai.

**4. Darbība**

**⚠ WARNING** Pirms pirmās izmantošanas reizes, piestipriniet iekārtu pie grīdas ar enkurveida tapu. Jāpārliecinās, ka virsma, uz kuras atrodas iekārta, ir cieta un horizontāla, un ka darba vieta ir pietiekošs augsējums.

**⚠ WARNING** Lai mazinātu savainošanās risku, izlasiet un izprotiet atsevišķos drošības norādījumus un drošības informāciju, kas norādīta uz preses (16. att.).

**⚠ WARNING** Pēc preses izmantošanas virzulim jāpaliek pilnībā ievilkta.

**⚠ WARNING** Noregulējiet galdu piemērotā pozīcijā un nofiksējiet ar tapām. Novietojiet V-bloku uz galda (02. att.), tad ievietojiet apstrādājamo gabalu V-blokā.

- V-bloks jāizmanto pa pāriem nevis pa gabaliem!
- Tikai viens cilvēks var lietot presi.

**4.1 Darbības instrukcija CP86750**

- Aizveriet izplūdes vārstus (07. att.), pagriezot tos pulksteņrādītāja kustības virzienā līdz tie cieši aizveras.
- Sūkņēdai rokturi/kājas pedāli līdz robotais paliktinis tuvojas apstrādājamajam gabalam.
- Centrējiet apstrādājamo gabalu un trieci, lai saglabāt tā centrējumu.
- Sūkņēdai rokturi/kājas pedāli, lai pielietotu slodzi pret apstrādājamo gabalu (lūdzu, skatiet spiediena mērinstrumentu).
- Kad darbs ir pabeigts, apturiet sūkņēšanas rokturi/kājas pedāli, lēnām un rūpīgi noņemiet slodzi nost no apstrādājamā gabala, griežot izplūdes vārstu pretēji pulksteņrādītāja kustības virzienam ar maziem griezieniem (jāgriež nedaudz, maksimums divus apgriezienus) (17. att.).
- Tiklīdz triecis ir pilnībā ievilkts, noņemiet apstrādājamo gabalu no galda.



## 4.2 Darbība instrukcija CP86100

## 4.2.1 Divējāda darbināšana:

- Darbināt manuāli: Ievietojiet roktura cauruli (50) roktura padziļinājumos. Pieejami 2 roktura padziļinājumi. Augšējais (31) paredzēts augstam spiedienam un zēmam ātrumam, savukārt apakšējais (43) – zēmam spiedienam un ātrākam ātrumam. 12. att.
- Darbināt ar gaisu: izlaidiet gaisu no gaisa kājiņu vārsta (61,08. att.).

## 4.2.2 Virzuļa ievilkšana un izlaišana

- Selektora vārsta roktura sviras 3 pozīcijas: Atrodoties 1. pozīcijā, virzuļa stienis ievelkas. Atrodoties 1. pozīcijā, virzuļa stienis virzīšanās. Atrodoties 1. pozīcijā, virzuļa stienis izlaišanas pārtraukšana. 13. att.

## 4.2.3 Darbība

- Pagrieziet roktura sviru 3. pozīcijā, tad izlaidiet gaisu no gaisa kājiņu vārsta, un virzuļa stienis ātri izlaidīsies. Brīdinājums: NEKAD nedarbiniet vienlaicīgi ar manuālo (manuālais zēmais spiediens) režīmu.
- Kad robotā pamatne tuvojas sagatavei, nomainiet uz manuālo darbību.
- Noregulējiet sagataves pozīciju, lai pārlicinātos, ka sagatave un virzuļa stienis ir atbilstoši centrēti.
- Sāciet spiest sagatavi. Ievietojiet roktura cauruli augstspiediena padziļinājumā (P31) un sūknējiet roktura cauruli, virzuļa stienis lēnām izlaižas, un spiediet sagatavi. Operatori var veikt spiešanu ar gaisu vai spiešanu ar gaisu un manuāli vienlaicīgi.
- Izlaidiet spiedienu: Pagrieziet roktura sviru 2. pozīcijā, spiediens uz virzuļa stieņa izlaidīsies automātiski.
- Ievilkšanās virzuļa stieņa: Pagrieziet roktura sviru 1. pozīcijā, un darbojas pa gaisu vai rokasgrāmatu. Brīdinājums: NEKAD nedarbiniet vienlaicīgi ar manuālo (manuālais zēmais spiediens) režīmu.
- Kad pabeigta, atvienojiet gaisa šūteni no kompresora un tīru mašīnu.

**⚠ WARNING** Nepārsniedziet ratiņu darba slodzes limitu/ nominālo celtspēju.

**⚠ WARNING** Pārlicinieties, ka operators lieto aizsargapģērbu, aizsargcimdus, aizsargķiveri, aizsargapavus un ausu aizbāzņus ierces izmantošanas laikā.

**⚠ WARNING** Lai izvairītos no negadījumiem, vienmēr esiet informēts pat jebkuru notiekošo darbu ar ierīci. Kā arī, koncentrējieties uz veicamo darbu.

**⚠ WARNING** Šo ražojumu un tā piederumus nedrīkst modificēt.

## 5. Apkopes norādījumi

**⚠ Caution** Neizmantojiet bojātu/deformētu izstrādājumu. Ja rodas neparastas skaņas vai vibrācijas, nekavējoties pārtrauciet izmantot aprīkojumu, pēc tam pārbaudiet to un vērsieties pie ražotāja pēc palīdzības. Ieteicams ražotāja vai piegādātāja apstiprinātā servisa centram veikt šo pārbaudi.

**⚠ Caution** Lielākais kļūmju cēlonis hidrauliskajās ierīcēs ir neīsumi. Uzrīti domkratu tīru un kārtīgi ieeļļotu, lai novērstu svešķermeņu iekļūšanu sistēmā. Ja domkrats ir pakļauts lietus, sniega, smiļšu vai grants iedarbībai, pirms izmantošanas tas jānotīra.

Uzglabājiet domkratu ar virzuļiem pilnībā ievilktiem, piemērotā vietā, kur tas netiks pakļauts korozīviem izgarojumiem, abrazīviem putekļiem vai kādiem citiem kaitīgiem elementiem.

Ik pa laikam pārbaudiet izstrādājuma stāvokli.

Uzglabājiet izstrādājumu sausā un nekorozīvā vidē.

Īpašniekiem un/vai operatoriem jāapzinās, ka šī aprīkojuma remontam var būt nepieciešamas speciālas zināšanas un telpas. Ieteicams šī izstrādājuma ikgadējo pārbaudi veikt ražotāja vai piegādātāja apstiprinātā servisa centrā un bojātās detaļas, uzlīmes vai drošības marķējumu nomainīt ar ražotāja vai piegādātāja noteiktajām rezervēs detaļām/uzlīmēm. Apstiprināto servisa centru saraksts ir pieejams pie ražotāja vai piegādātāja; lūdzu, sazinieties ar viņiem palīdzības gadījumā.

Izstrādājumu, kas ir jebkāda veidā bojāts, nodilis vai darbojas nepareizi, **NEDRĪKST IZMANTOT LĪDZ TĀ REMONTAM**. Ražotāja vai piegādātāja atļautos remontdarbus ieteicams veikt ražotāja vai piegādātāja apstiprinātā servisa centrā.

Jāizmanto tikai ražotāja nodrošinātais papildaprīkojums un/vai adapteri.

Dizains ir apstiprināts saskaņā: ASME ASP-2010

## 7. Atbilstības deklarācija

Mēs: **CHICAGO PNEUMATIC Tool Co. LLC, 1815 Clubhouse Road, Rock Hill, SC 29730 - USA**

apstiprinām, ka šis (-ie) izstrādājums (-i): **CP86750/CP86100**

Sērijas numurs: 00001 līdz 99999

ierīces veids (-i): **Hidrauliskā prese** Ražošanas valsts: **KĶina**

Atbilst Padomes Direktīvu prasībām par dalībvalstu likumu piemērošanu, kas attiecas uz: „mehānismiem” **2006/42/EC (17/05/2006)**

Spēkā esošajam (-iem) saskaņotajam (-iem) standartam (-iem): **EN 13736 : 2003 + A1 : 2009**

Pieteicēja vārds un amats: **Pascal Roussy (R&D Manager)**

Vieta un datums: **Saint-Herblain, 10/04/2020**

Tehniskais fails pieejams ES birojā. Nicolas Lebreton R&D manager CP Technocenter 38, rue Bobby Sands - BP10273 44800 Saint Herblain - France

Oriģinālā lietošanas instrukcija ir angļu valodā. Lietošanas instrukcija citās valodās ir oriģinālās instrukcijas tulkojums.

## Copyright 2020, Chicago Pneumatic Tools

Visas tiesības aizsargātas. Tādēļ jebkāda neatļauta saturs vai tā daļu izmantošana vai kopēšana ir aizliegta. Īpaši tas attiecas uz preču zīmēm, modeļu nosaukumiem, detaļu numuriem un attēliem. Izmantojiet tikai apstiprinātās detaļas. Ja ierīces bojājumus vai nepareizu darbību būs radījuši neapstiprinātu detaļu izmantošana, garantija vai atbildība par produkta nekaitīgumu vairs nebūs spēkā.

## 1. Tehnički podaci (Pogledajte slike 1.)

Mjere	Težina	kapacitet	tlak zraka	A	B	C	F	E
Jedinica	[kg]	[kg]	[bar]	[mm]	[mm]	[mm]	[mm]	[mm]
CP86750	498	75000	7.5-8.5	1140	800	1840	245	800
CP86100	766	100000	7.5-8.5	1200	990	1830	300	787

Mjere	F1	F2	R(Potez)	M	Voil	Tlak hidrauličkog sustava	Zvučni tlak	Zvučna snaga	Nesigurnost K
Jedinica	[mm]	[mm]	[mm]	[mm]	[l]	[MPa]	[dB (A)]	[dB (A)]	
CP86750	170	884	250	260	4.5	59.92	75.4	91.1	4.8
CP86100	114	814	300	235	5.6	63.69	75.4	91.1	4.8

Koeficijent statičkog testa: 1.5/ Koeficijent dinamičkog testa: 1.25 .

Sve vrijednosti vrijede na dan objave ove publikacije. Najnovije informacija potražite na [www.cp.com](http://www.cp.com).

**Izjava o buci i izjava o vibracijama :** Ove deklarirane vrijednosti su dobijene laboratorijskim ispitivanjem sukladno navedenim standardima i nisu adekvatne za usporedbu s deklariranim vrijednostima drugih alata koji su ispitani u sukladnosti s istim standardom. Ove deklarirane vrijednosti nisu prikladne za procjene rizika i vrijednosti izmjerene na pojedinim radnim mjestima mogu biti više. Stvarne vrijednosti izlaganja i štetnih rizika za svakog korisnika ponaosob jedinstvene su i ovise o načinu rada korisnika, izradevine i izvedbe radne stanice, te od vremena izlaganja i fizičkog stanja korisnika. Mi, CHICAGO PNEUMATIC TOOLS , ne možemo snositi odgovornost za posljedice zbog korištenja deklariranih vrijednosti umjesto vrijednosti koje odražavaju stvarnu izloženost, za pojedinačnu procjenu rizika na radnom mjestu nad kojim nemamo kontrolu. Ovaj alat može izazvati vibracijski sindrom ako se koristi na nepropisan način. EU vodič za reguliranje količinu vibracija u šaci-ruci možete pronaći na [www.pneurop.eu/uploads/documents/pdf/PN3-02-NV\\_Declaration\\_info\\_sheet\\_0111.pdf](http://www.pneurop.eu/uploads/documents/pdf/PN3-02-NV_Declaration_info_sheet_0111.pdf). Preporučamo program kontrole zdravlja ako biste rano prepoznali simptome koji mogu biti povezani s izloženošću buci i vibracijama, te se postupci rada mogu promijeniti kako bi se spriječila buduća oštećenja.

## 2. Vrsta/e stroja

- Ovdje su opisani uređaji s ručnim pogonom i uz zračnu-hidrauličnu podršku (dodatno)koja primjenjuje pritisak na dijelove u svrhe sastavljanja ili rastavljanja.
- Za pravilno korištenje preše nikad nemojte prelaziti maksimalnu nosivost i nikad nemojte koristiti više pritiska nego je potrebno.
- Nije dozvoljena druga upotreba. Samo za profesionalnu upotrebu.
- Pridržavajte se informacija o sigurnosti proizvoda!

## 3. Upute za montažu

Skini vijke, podloške iz svih dijelova prije montaže.

- Prije prvog upravljanja prešom, nužno je otpakirati, montirati noge, stol i tlakomjer. Ove radnje mogu se izvesti u različitim položajima, ali nikada ne zaboravite da su ovo teški elementi koji zahtijevaju pomoć drugih ili upotrebu mehaničkih sredstava.
- Noge se pričvršćuju na postolje koristeći dobivene vijke, i stolovi na dvije B osi SI.02 koje su prethodno smještene na vanjsku stranu stupova sukladno izabranoj radnoj visini SI.02. Pričvrstite bazu i oslonac na lijevu i desnu spojnu ploču koristeći vijak, pločicu, bravu i maticu
- Pomaknite pumpu assy, SI.07 ( CP86750 ), SI.09 ( CP86100 ),na vanjsko mjesto, koristite vijak i pločicu koja je rastavljena upravo za čvrsto stezanje na desnoj spojnoj ploči.
- Smještanje Manometra: Manometar bi se trebao smjestiti na hidrauličku jedinicu, koja je smještena na gornjem dijelu preše SI.06 Otklonite metalni pokrov, smjestite manometar, osiguravajući da britva s O-prstenom koja je unutar kućišta manometra ostaje na dnu nakon instalacije.
- Okupite ulje crijevo : SI.08 ( CP86750 ), SI.10, SI.11 ( CP86100 ).
- Tijekom pomicanja uređaja, molimo osigurajte da koristite prikladnu opremu za podizanje i slijedite upute kako je prikazano na SI.02

**⚠ Caution** Radno područje od 1 m ispred i iza stroja uvijek mora biti slobodno radi lakog pristupa.

Evakuirajte zrak iz hidrauličkog sustava:

- Otvorite otpusni ventil, okrećući ga u smjeru suprotnom od smjera kazaljke na satu, i otvorite ventil za otpuštanje zraka, SI.07.
- Zatim pumpajte hidrauličku jedinicu nekoliko puta. Zatim potpuno otpustite ventile u smjeru kazaljke na satu. Hidraulička jedinica spremna je za upotrebu.

## 4. Rad

**⚠ WARNING** Prije prvog korištenja, molimo pričvrstite uređaj na pod koristeći sidreni vijak. Mora biti osigurano da je stajaća površina mjesta na kojem je uređaj čvrsta i horizontalna, i da je omogućeno dovoljno osvjjetljenje.

**⚠ WARNING** Da bi se smanjio rizik od ozljeda, pročitajte i razumite odvojeno pružene sigurnosne upute i sigurnosne informacije koje se odnose na prešu SI.16

**⚠ WARNING** Slijedeći korištenje preše, držite klip potpuno uvučen.

**⚠ WARNING** Osigurajte stol u prikladnom položaju i zaključajte stol čvrsto iglama. Smjestite V-blok na stol, SI.02, zatim umetnite dio za rad u V-blok.

- V-blok se mora koristiti u paru, ne pojedinačno!
- Samo jedna osoba smije raditi s prešom.

### 4.1 Operacija Uputa za CP86750

- Zatvorite otpusne ventile, SI.07, okrećući ih u smjeru kazaljke na satu dok nisu čvrsto zatvoreni.
- Pumpajte ručku, nožnu papučicu dok se nazubljeni dio ne približi dijelu za rad.
- Smjestite dio za rad i klip da biste osigurali centralno opterećenje.
- Pumpajte ručku/nožnu papučicu da biste primijenili opterećenje na di za rad (molimo vidite numeriranje na manometru).
- kada je rad obavljen, prestanite pumpati ručku/papučicu noge, lagano i oprezno otklonite opterećenje s dijela za rad okrećući otpusni ventil u smjeru suprotnom od kazaljke na satu u malim koracima.(morate okretati pod malim kutem, najveće u dva kruga SI.17)
- Jednom kada je klip potpuno uvučen, otklonite dio za rad sa stola.



#### 4.2 Operacija Uputa za CP86100

##### 4.2.1 Dva načina korištenja:

• Ručno korištenje: Umetnite cijev drške (50) u utore za dršku. Osigurana su 2 utora za dršku. Gornji (31) je za visoki tlak i malu brzinu, a donji (43) je za niski tlak i veliku brzinu. Sl.12.

• Korištenje pomoću zraka: Pritisnite nožni zračni ventil (61, Sl.08)

##### 4.2.2 Uvlačenje i produženje klipa

• 3 položaja za polugu drške ventila za biranje: Kada je na položaju 1, šipka klipa se uvlači. Kada je na položaju 2, šipka klipa zaustavljanje pokretanje.

Kada je na položaju 3, šipka klipa produženje. Sl.13.

##### 4.2.3 Rad

• Okrenite polugu drške na položaj 3, zatim pritisnite nožni zračni ventil i šipka klipa će se brzo produžiti. Upozorenje: NIKADA nemojte ručno koristiti (ručno s malim tlakom) istovremeno.

• Kada se ozubljeno sjedište približi izradovini, promijenite na ručno korištenje.

• Prilagodite položaj izradovine tako da su izradovina i šipka klipa pravilno poravnati.

• Počnite pritisnati izradovinu. Umetnite cijev drške u utor s visokim pritiskom (P31) i pumpajte cijev drške, šipka klipa sporo se produžuje i pritišće izradovinu. Rukovatelj može pritisnuti pomoću zraka, ili može istovremeno pritisnuti pomoću zraka i ručno.

• Otpustite tlak: Okrenite polugu drške na položaj 2, pritisak na šipku klipa će se automatski otpustiti.

• Uvlačenje klipnjača: Okrenite polugu drške na položaj 1, i raditi po zraku ili priručnika. Upozorenje: NIKADA nemojte ručno koristiti (ručno s malim tlakom) istovremeno.

• Kad završi, odspojite crijevo za zrak s kompresora i očistite stroj.

**⚠ WARNING** Nemojte prekoračiti granicu radnog opterećenja / nazivni kapacitet kolica.

**⚠ WARNING** Pobrinite se da rukovatelj za vrijeme rada nosi zaštitnu odjeću, rukavice, kacigu, obuću i zaštitu za uši.

**⚠ WARNING** Uvijek vodite računa o radu koji se trenutno obavlja na stroju kako ne bi došlo do ozljeda. Također, uvijek se koncentrirajte na posao koji treba obaviti.

**⚠ WARNING** Ova alat i njegovi dodaci ne smiju se preinačivati.

## 5. Upute za održavanje

**⚠ Caution** Nemojte koristiti oštećeni/izlobočeni uređaj. Ako se pojave neuobičajene vibracije ili buka, odmah prestanite s uporabom, pregledajte uređaj i potražite pomoć od proizvođača. Preporučamo da se ovaj pregled obavi u ovlaštenom servisu proizvođača ili dobavljača.

**⚠ Caution** Najveći pojedinačni uzrok hidrauličnih jedinica je nečistoća. Servisnu dizalicu održavajte čistom i dobro podmazanom kako ne bi došlo do prodora čestica u sustav. Ako je dizalica izvrnuta djelovanju kiše, snijega, pijeska ili kamenčića, prije upotrebe mora se očistiti. Spremite dizalicu s potpuno uvučnim klipovima, u dobro zaštićenom području gdje neće biti izložena korozivnim isparavanjima, oštroj prašini ili bilo kojim drugim štetnim elementima.

Povremeno provjeravajte stanje uređaja.

Uređaj pohranite u suhoj okolini čiji uvjeti ne izazivaju hrđanje.

Vlasnici i/ili rukovatelji moraju biti svjesni da je za popravak ove opreme potrebno specijalizirano znanje i posebna postrojenja. Preporučamo da se godišnji pregled uređaja izvede u ovlaštenom servisu proizvođača ili dobavljača te da se svi neispravni dijelovi, naljepnice ili sigurnosne naljepnice i znakovi zamijene dijelovima koje je odredio proizvođač ili dobavljač. Popis ovlaštenih servisa dostupan je kod proizvođača ili dobavljača, nazovite ih za pomoć.

Svaki proizvod koji se čini bilo koji način oštećenim, koji je istrošen ili radi nepravilno, MORA SE POVUČI IZ UPOTREBE DO POPRAVKA. Preporučamo da se neophodni popravci obavljaju u ovlaštenom servisu proizvođača ili dobavljača, ako te popravke proizvođač ili dobavljač odobravaju.

Koristite samo nastavke i/ili adaptere koji je isporučio proizvođač.

Dizajn je potvrđen u skladu: ASME ASP-2010

### 7. Izjava o sukladnosti

Mi: **CHICAGO PNEUMATIC Tool Co. LLC, 1815 Clubhouse Road, Rock Hill, SC 29730 - USA**

Izjavljujemo da uređaj(i): **CP86750/CP86100** Serijski br.: 00001 to 99999

Vrsta/e stroja: **Hidraulična preša** Porijeklo proizvoda: **Kina**

je u skladu sa zahtjevima direktive odbora o usklađivanju zakona koji se odnose na države članice u vezi sa „strojevima“: **2006/42/EC (17/05/2006)**

primjenjiva usklađena norma(e): **EN 13736 : 2003 + A1 : 2009**

Naziv i položaj izdavača: **Pascal Roussy (R&D Manager)**

Mjesto i datum: **Saint-Herblain, 10/04/2020**



Tehnički dokument dostupan u EU sjedištu. Nicolas Lebreton R&D manager CP Technocenter 38, rue Bobby Sands - BP10273 44800 Saint Herblain - France

Izvorne upute napisane su na engleskom. Tekst na ostalim jezicima je prijevod izvornih uputa.

### Copyright 2020, Chicago Pneumatic Tools

Sva prava su zadržana. Svaka neovlaštena upotreba ili kopiranje ovog sadržaja ili njegovog dijela su zabranjeni. Ovo se osobito odnosi na trgovačke znakove, denominaciju modela, brojeve dijela i nacрте. Koristite samo odobrene dijelove. Svako oštećenje ili neispravnost u radu koji nastanu zbog upotrebe ne odobrenih dijelova neće biti obuhvaćeno Jamstvom ili Odgovornošću za proizvod.

**1. Date Tehnice (A se vedea imaginile 1.)**

Dimensiune	Greutate	capacitate	Presiune Aer	A	B	C	F	E
Unitate	[kg]	[kg]	[bar]	[mm]	[mm]	[mm]	[mm]	[mm]
CP86750	498	75000	7.5-8.5	1140	800	1840	245	800
CP86100	766	100000	7.5-8.5	1200	990	1830	300	787

Dimensiune	F1	F2	R(Bătaie)	M	Voil	Presiunea sistemului hidraulic	Presiune acustică	Putere acustică	Incertitudine K
Unitate	[mm]	[mm]	[mm]	[mm]	[l]	[MPa]	[dB(A)]	[dB(A)]	
CP86750	170	884	250	260	4.5	59.92	75.4	91.1	4.8
CP86100	114	814	300	235	5.6	63.69	75.4	91.1	4.8

Coeficient Încercare Statică: 1.5 / Coeficient Încercare Dinamică: 1.25 .

 Toate valorile sunt cele în vigoare la data prezentei publicării. Pentru cele mai recente informații, vă rugăm să accesați [www.cp.com](http://www.cp.com).

**Declarație de zgomot și vibrații :** Aceste valori declarate au fost obținute prin testare de tip laborator, în conformitate cu standardele stabilite și sunt adecvate comparării cu valorile declarate ale altor unelte testate în conformitate cu aceleași standarde. Aceste valori declarate nu sunt adecvate utilizării în evaluările de risc, iar valorile măsurate în locuri individuale de activitate pot fi mai mari. Valorile expunerilor actuale și riscul de daune experimentate de către un utilizator individual sunt unice și depind de modul în care utilizatorul lucrează, de piesa de lucru și de construcția stației de lucru, precum și de timpul de expunere și de condiția fizică a utilizatorului. Noi, CHICAGO PNEUMATIC TOOLS, nu putem fi trași la răspundere pentru consecințele utilizării valorilor declarate în locul celor care reflectă expunerea reală, într-o evaluare a riscurilor individuale dintr-o stație de lucru unde nu deținem controlul. Această unealtă poate provoca sindromul vibrațiilor mână-brat, dacă utilizarea sa nu este gestionată în mod adecvat. Un ghid al UE pentru gestionarea vibrațiilor mână-brat poate fi găsit la adresa [www.pneurop.eu/uploads/documents/pdf/PN3-02-NV\\_Declaration\\_info\\_sheet\\_0111.pdf](http://www.pneurop.eu/uploads/documents/pdf/PN3-02-NV_Declaration_info_sheet_0111.pdf). Vă recomandăm un program de supraveghere a sănătății pentru a detecta simptomele timpurii referitoare la expunerea la zgomot sau vibrații, astfel încât procedurile de gestionare să fie modificate pentru a preveni o viitoare afecțiune.

**2. Tip (-uri) aparat**

- Unitățile descrise în acest material sunt operate manual și cu suport hidro-pneumatic (opțional), pentru exercitarea presiunii asupra componentelor de asamblare sau dezasamblare.
- Pentru utilizarea preseii în bune condiții, nu exercitați niciodată capacitatea maximă și nu apăsați mai mult decât este necesar.
- Nică o altă utilizare nu este permisă. Doar pentru uz profesional.
- Vă rugăm să urmăriți și informațiile de siguranță ale produsului

**3. Instrucțiuni montare**

Ia de pe șuruburi, șaibe din toate părțile înainte de asamblare.

- Înainte de prima utilizare a preseii, este necesar să desfaceți ambalajul, să montați picioarele, masa și indicatorul de presiune. Aceste operațiuni pot fi realizate în diferite poziții, dar nu uitați că elementele grele au nevoie de ajutorul celorlalte sau de utilizarea mijloacelor mecanice.
- Picioarele sunt fixate pe suport cu ajutorul șuruburilor prevăzute și mesele la cei doi arbori B din Fig. 02, poziționați anterior în afara coloanelor, funcție de înălțimea de lucru selectată. Fig.02. Atașați secțiunea de bază și suportul la stânga și dreapta, conectând placa cu ajutorul șurubului, al discului de distanțare, discului de închidere și piuliței.
- Mutați pompa ca în Fig.07 ( CP86750 ), Fig.09 ( CP86100 ), către exteriorul punctului de reazem, utilizați șurubul și discul de distanțare pe care le-ați demontat, pentru a răscui strâns placa de conectare.
- Poziționare manometru: Manometrul trebuie poziționat pe unitatea hidraulică aflată în partea superioară a preseii Fig.06. Scoateți carcasa metalică, poziționați manometrul, asigurându-vă că inelul O din carcasa manometrului rămâne la bază după instalare.
- Asamblarea furtun ulei : Fig.08 ( CP86750 ), Fig.10 ,Fig.11 ( CP86100 ).
- În timp ce mișcați aparatul, asigurați-vă că utilizați echipamentul de ridicare potrivit și urmați instrucțiunile conform Fig.02.

**⚠ Caution** În timp ce mașina se află în funcțiune, zona de lucru de 1 m trebuie să fie menținută liberă, atât în față, cât și în spatele mașinii, astfel încât să fie întotdeauna ușor accesibilă.

Goliți aerul din sistemul hidraulic:

- Deschideți supapa de evacuare prin rotirea în sensul invers al acelor de ceasornic și deschideți supapa de aspirare a aerului. Fig.07.
- Apoi pompați unitatea hidraulică de câteva ori. Apoi rotiți complet supapele de evacuare în sensul acelor de ceasornic. Unitatea hidraulică este acum gata de utilizare

**4. Funcționare**

**⚠ WARNING** Înainte de prima utilizare, montați aparatul pe podea cu ajutorul conexandului. It must be ensured that the standing surface of the machine site is firm and horizontal, and that sufficient lighting is provided for.

**⚠ WARNING** Pentru a reduce riscul de avarii, citiți și înțelegeți separat instrucțiunile de siguranță și informațiile de siguranță referitoare la presă Fig.16.

**⚠ WARNING** Pentru următoarea utilizare a preseii, țineți pistonul retras complet.

**⚠ WARNING** Plasați masa în poziția potrivită și blocați-o cu ajutorul știfturilor. Puneți suportul în V pe masă, Fig.02 și introduceți piesa de prelucrat în suportul în V.

- Suportul în V trebuie să fie utilizat per pereche nu per bucată!
- Unei singure persoane îi este permis să utilizeze presa.

**4.1 Instrucțiuni de operare pentru CP86750**

- Închideți supapele de evacuare. Fig.02, prin rotirea în sensul acelor de ceasornic până când sunt închise corect.
- Pompați pedala de picior/mână până când garnitura zimțată se apropie de piesa de prelucrare.
- Aliniați piesa de prelucrare și pistonul pentru a asigura încărcarea centrală.
- Pompați pedala de picior/mână pentru a aplica încărcătura pe piesa de prelucrare (a se vedea numărătoarea din indicatorul de presiune).
- după ce terminați lucrul, opriți-vă din pompați pedala de picior/mână, scoateți încet și cu grijă încărcătura din piesa de prelucrare prin rotirea supapei de evacuare în sensul invers al acelor de ceasornic (rotirea trebuie făcută în unghi mic, cei mai mare fiind de două cercuri)
- O dată ce pistonul este retras, înlăturați piesa de prelucrare de pe masă.

#### 4.2 Instrucțiuni de operare pentru CP86100

##### 4.2.1 Două metode de operare:

• Operați manual: Introduceți tubul mânerului (50) în record. Sunt furnizate 2 recorduri pentru mâner. Cel de sus (31) este pentru presiune ridicată și viteză mică; cel din partea de jos (43) este pentru presiune joasă și viteză mai mare. Fig.12.

• Operați prin intermediul aerului: Apăsați supapa de aspirație aer (61, Fig.08)

##### 4.2.2 Retragerea și Extinderea pistonului

• 3 poziții pentru levierul clapetei selectoare: Când se află în poziția 1, tija pistonului se retrage. Când se află în poziția 1, tija pistonului se se oprește.

Fig.13 Când se află în poziția 1, tija pistonului se extinde.

##### 4.2.3 Funcționare

• Rotiți levierul în poziția 3, apoi apăsați supapa de aspirație aer și tija pistonului se va extinde rapid. Avertisment: Nu operați niciodată manual simultan (Presiune Joasă Manuală).

• Când gamitura zimțată se apropie de piesa de lucru, schimbați la operare manuală.

• Reglați poziția piesei de lucru pentru a vă asigura că piesa și tija pistonului sunt aliniate corespunzător.

• Începeți să presați piesa de lucru. Introduceți tubul levierului în recordul pentru presiune ridicată (P31) și pompați tubul; tija pistonului se extinde încet și apăsați piesa de lucru. Operatorul o poate apăsa cu aer, sau manual și cu aer simultan.

• Eliberați presiunea: Rotiți levierul în poziția 2, presiunea de pe tija pistonului se va elibera automat.

• Retragerea tijei pistonului: Rotiți levierul în poziția 1, și operează prin aer sau manual. Avertisment: Nu operați niciodată manual simultan (Presiune Joasă Manuală).

• Când complet, deconectați furtunul de aer de la compresor și curăța mașina.

**⚠ WARNING** Nu depășiți limita de sarcină de lucru / capacitatea nominală a cricului.

**⚠ WARNING** Asigurați-vă că operatorul poartă haine de protecție, mănuși, cască de protecție, pantofi și dopuri pentru urechi pe durata operării.

**⚠ WARNING** Pentru a evita accidentele, trebuie să fiți conștienți în permanență de activitățile în curs de desfășurare ale mașinii. De asemenea, trebuie să fiți mereu concentrați pe activitatea care trebuie efectuată.

**⚠ WARNING** Acest produs și accesoriile sale nu trebuie modificate.

## 5. Instrucțiuni pentru întreținere

**⚠ Caution** Nu utilizați produse defecte / deformatate. Dacă apare zgomot sau vibrații anormale, opriți utilizarea imediat, apoi inspectați și cereți ajutor producătorului. Se recomandă ca acest control să fie realizat de către un service de reparații autorizat de producător sau furnizor.

**⚠ Caution** Cea mai mare cauză a defecțiunilor din unitățile hidraulice este murdăria. Păstrați cricul de service curat și bine lubrifiat, pentru a preveni corpurile străine să intre în sistem. În cazul în care a fost expus la ploaie, ninsoare, nisip sau pietriș acesta trebuie să fie curățat înainte de a fi utilizat.

Depozitați cricul, cu pistoanele complet retrase într-o zonă bine protejată, unde nu va fi expus vaporilor corozivi, prafului abraziv sau altor elemente nocive.

Verificați periodic starea produsului

Depozitați produsul într-un mediu uscat și non-coroziv.

Proprietarii și / sau operatorii ar trebui să fie conștienți de faptul că repararea acestui echipament poate necesita cunoștințe și servicii de specialitate. Se recomandă efectuarea unei inspecții anuale a produsului printr-un service de reparații autorizat de producător sau furnizor și toate piesele, procedeele, sau etichetele sau semnele de siguranță defecte se înlocuiesc cu produsele producătorului sau ale furnizorului. O listă cu servicii-urile de reparații autorizate este disponibilă la producător sau furnizor, vă rugăm să le cereți ajutorului.

Orice produs care pare să fie deteriorat în orice fel, se dovedește a fi uzat sau funcționează anormal VA FI SCOS DIN FUNCȚIUNE PÂNĂ VA FI

REPARAT. Se recomandă ca reparațiile necesare să fie efectuate de un service de reparații autorizat, dacă reparațiile sunt permise de către producător sau furnizor.

Se utilizează numai accesorii și / sau adaptoare furnizate de producător.

Designul a fost validat conform: ASME ASP-2010

## 7. Declarație de conformitate

Noi: **CHICAGO PNEUMATIC Tool Co. LLC, 1815 Clubhouse Road, Rock Hill, SC 29730 - USA**

Declarăm că produsul (-ele): **CP86750/CP86100** Serie: de la 00001 la 99999

Tip (-uri) aparat: **Presă hidraulică** Originea produsului: **China**

corespunde cu cerințele directivelor Consiliului privind aproximarea legislațiilor statelor membre referitoare la: „Mașinării” **2006/42/EC (17/05/2006)** standardul armonizat aplicabil **EN 13736 : 2003 + A1 : 2009**

Nume și funcție emitent: **Pascal Roussy (R&D Manager)**



Loc și data: **Saint-Herblain, 10/04/2020**

Fișa tehnică disponibilă la sediul UE Nicolas Lebreton R&D manager CP Technocenter 38, rue Bobby Sands - BP10273 44800 Saint Herblain - France

Instrucțiunile Originale sunt în engleză. Alte limbi reprezintă traducerea instrucțiunilor originale.

## Copyright 2020, Chicago Pneumatic Tools

Toate drepturile sunt rezervate. Orice utilizare neautorizată sau copiere a conținutului sau a unei părți a acestuia este interzisă. Acest lucru este valabil în special pentru mărci comerciale, denumiri de modele, numere ale pieselor de schimb și schițe. Utilizați numai piese de schimb autorizate. Orice deteriorare sau defecțiune cauzată de utilizarea de componente neautorizate nu este acoperită de Garanția Produsului.

**1. Технически данни (Виж чертежите 1.)**

Размер	Тегло	Капацитет	Атмосферно налягане	A	B	C	F	E
Единица	[kg]	[kg]	[bar]	[mm]	[mm]	[mm]	[mm]	[mm]
CP86750	498	75000	7.5-8.5	1140	800	1840	245	800
CP86100	766	100000	7.5-8.5	1200	990	1830	300	787

Размер	F1	F2	R(Ход)	M	Voil	Налягане на хидравличната система	Звуково налягане	Мощност на звука	Неопределеност K
Единица	[mm]	[mm]	[mm]	[mm]	[l]	[MPa]	[dB(A)]	[dB(A)]	
CP86750	170	884	250	260	4.5	59.92	75.4	91.1	4.8
CP86100	114	814	300	235	5.6	63.69	75.4	91.1	4.8

Коефициент при статичен тест: 1.5/ Коефициент при динамичен тест: 1.25 .

Всички характеристики са валидни към датата на настоящата публикация. За допълнителна информация, моля посетете: [www.cp.com](http://www.cp.com)

**Декларация за шумовите и вибрационни характеристики :** Настоящите декларирани стойности са получени при лабораторно тестване в съответствие с посочените стандарти и са подходящи за сравняване с декларираните характеристики на други инструменти тествани в съответствие със същите стандарти. Настоящите декларирани характеристики не са пригодни за ползване при оценка на риска и стойностите измерени на работното място могат да бъдат по-високи. Реалните стойности на излагане и влияние и рискът, на който са подложени индивидуалните потребители са уникални за всеки случай и зависят от начина на работа от страна на потребителя, обработвания детайл и дизайна на работното място, както и от продължителността на излагане на влиянието им и физическото състояние на оператора на машината. Ние "CHICAGO PNEUMATIC TOOLS" не можем да държаме отговорни за ползването на така декларираните характеристики, вместо тези реално измерени на място, при индивидуалната оценка на риска в реална работна обстановка на място, върху която ние нямаме никакъв контрол. Този инструмент може да причини вибрационен синдром на ръката / дланта, ако бъде неправилно използван. Наръчникът на ЕС за предпазните мерки за управление на вибрационния синдром на ръката / дланта, може да бъде намерен на адрес: [www.rpeiqor.eu/uploads/documents/pdf/PN3-02-NV\\_Declaration\\_info\\_sheet\\_0111.pdf](http://www.rpeiqor.eu/uploads/documents/pdf/PN3-02-NV_Declaration_info_sheet_0111.pdf). От своя страна ние препоръчваме въвеждането на програма за здравен контрол, за да се открият ранните симптоми евентуално свързани с излагането на шум и вибрации, което да даде възможност за промяна на управленските процедури с оглед предотвратяване на бъдещо инвалидизиране.

**2. Тип на машината (-е)**

- Машините описани тук се задействат ръчно и с въздушно-хидравлично усилване (опция) и служат за прилагане на натиск върху детайли подлежащи на разглобяване и сглобяване.
- За правилното използване на пресата никога не надвишавайте максималния капацитет и не прилагайте по-силен натиск от необходимия.
- Не се разрешава употребата в други случаи и за други цели. Само за професионално ползване.
- Моля съблюдавайте също така инструкциите за безопасност при работа с изделието!

**3. Инструкции за монтаж**

Свалете болтовете, шайбите от всички части преди монтажа.

- Преди да започнете работа с пресата трябва да я разопаковате, да монтирате краката ѝ, масата и датчика за налягането. Това може да бъде направено по различни начини, но не забравяйте, че това са тежки елементи, боравенето, с които изисква помощ от страна на други работници, или използването на технически средства.
- Краката се монтира към рамата с помощта на включените в комплекцията винтове, а масите към двете оси „B“ както е показано на Фиг.02, които предварително са позиционирани на външната страна на колоните в зависимост избраната работна височина Фиг.02. Монтирайте секцията на основата и опората към лявата и дясната свързващи планки с помощта на болт, шайба, контрашайба и гайка.
- Отместете помпния възел, Фиг.07 ( CP86750 ), Фиг.09 ( CP86100 ), към външната страна на колоната, използвайте току що демонтираните болт и шайба за да го затегнете към дясната свързваща планка.
- Монтиране на манометъра: Манометърът трябва да бъде монтиран на хидравличния възел, който е разположен в горната част на пресата Фиг.06. Свалете металния капак, монтирайте манометъра като внимавате уплътнителния пръстен (O-ring) намиращ се в тялото на манометъра при инсталацията остава на дъното.
- Сполетете масло маркук : Фиг.08 ( CP86750 ), Фиг.010 , Фиг.11 ( CP86100 ).
- При преместване на машината използвайте подходящо подемно оборудване и следвайте инструкциите показани на Фиг.02

**⚠ Caution** Докато машината работи, пред и зад нея трябва да се осигури свободно пространство от 1 м, за да може да бъде достъпна във всеки един момент.

Обезвъздушете хидравличната система:

- Отворете клапана за освобождаване на налягането като го завъртите в посока обратна на часовниковата стрелка и отворете клапана за обезвъздушаване, Фиг.07.
- След това напълнете хидравличния възел няколко пъти. След това затегнете докрай клапаните за освобождаване на налягането като ги завъртите в посока на часовниковата стрелка. Сега вече хидравличната система е готова за работа.

**4. Операция**

**⚠ WARNING** Преди първа употреба, моля фиксирайте машината към пода с помощта на анкерен болт. За работата на машината трябва да бъдат осигурени добро осветление на работното пространство и самата тя да е монтирана на твърда, хоризонтална повърхност.

**⚠ WARNING** За да намалите риска от наранявания, прочетете и разберете добре отделно предоставените ви инструкции за безопасност и публикуваната в пресата информация за безопасност, Фиг.16.

**⚠ WARNING** След работа с пресата поставете буталото ѝ в напълно прибрано положение.

**⚠ WARNING** Уверете се, че масата е правилно позиционирана и я фиксирайте стабилно с помощта на цифровите за масата. Поставете V-образния блок върху масата, Фиг.02, след това поставете обработвания детайл във V-образния блок.

- „V-блоковете“ трябва да се използват по двойки, а не поединично!
- Разрешава се оперирането на пресата само от един човек.

**4.1 Инструкция за експлоатация за CP86750**

- Затворете клапаните за освобождаване на налягането, Фиг.07, като ги завие в посока на часовниковата стрелка.
- Напълнете с ръчката/педала докато назъбената шейна приближи обработвания детайл.
- Центрирайте обработвания детайл спрямо буталото за да осигурите центриране на натиска.
- Напълнете с ръчката/педала за да приложите натиск върху обработвания детайл (моля обърнете внимание на цифровите означения на датчика за налягането).
- Когато желаната работа е свършена, спрете да помпате с ръчката/педала, бавно и внимателно облекчете налягането върху обработвания детайл като въртите клапана за да освобождаване на налягането в посока обратна на часовниковата стрелка на малки интервали.(трябва да се върти с малък възел; най-толяма степен се постига с два оборота, Фиг.17)
- След като буталото се е прибрало напълно, свалете обработвания детайл от работния плот / маса.



4.2 Инструкция за експлоатация за CP86100

4.2.1 Два начина на работа:

- Ръчна операция: Вкарайте тръбата на ръкохватката (50) в отворите на ръкохватката. Има налични 2 отвора в ръкохватката. Горният (31) е за високо налягане и ниска скорост, а долният (43) е за ниско налягане и по-висока скорост. Фиг.12
- Задействайте посредством съгъстения въздух: Натиснете крачния клапан за въздуха (61, Фиг. 08)

4.2.2 Прибиране и изкарване на буталото

- 3 позиции за ръкохватката-пост за селекторния клапан: Когато е в позиция 1, буталото се прибира. Когато е в позиция 1, буталото Спиране на движението. Когато е в позиция 1, буталото изваждане на буталото. Фиг.13.

4.2.3 Операция

- Завъртете ракохватката-пост на позиция 3, след това натиснете крачния клапан за въздуха и буталото ще се извади навън бързо.

Предупреждение:НИКОГА не задействайте ръчно (ръчно ниско налягане)едновременно.

- Когато назоваване супорт се доближи до обработвания детайл, преинете на ръчно задействане.
- Нагласете позицията на обработвания детайл за да се уверите, че той и буталото са правилно центрирани.
- Започнете да прилагате натиска върху обработвания детайл. Вкарайте тръбата на ръкохватката в отвора / гнездото за високото налягане (P31) и напомнете с тръбата ръкохватка, буталото се подава бавно и притиска обработвания детайл. Операторът на машината може да прилага натиск посредством съгъстения въздух, или ръчно и чрез съгъстения въздух едновременно.
- Освободете налягането: авъртете ракохватката-пост на позиция 2, налягането оказвано върху буталото ще се намали автоматично.
- Прибиране на буталния прът: авъртете ракохватката-пост на позиция 1, и работят по въздух или ръчно. Предупреждение:НИКОГА не задействайте ръчно (ръчно ниско налягане)едновременно.
- Когато приключи, се демонтира маркуча въздух от компресора и почистете машината.

**⚠ WARNING** Не надвишавайте прага на работното натоварване / номиналния капацитет на количката.

**⚠ WARNING** Уверете се, че операторът носи предпазно облекло, ръкавици, каска, обувки и шумозаглушители по време на работа.

**⚠ WARNING** За да предотвратите инциденти, винаги дръжте сметка за текущи работи по машината. Също така, винаги работете съсредоточено върху дейността, която извършвате в момента.

**⚠ WARNING** Настоящият продукт и принадлежностите към него не трябва да бъдат модифицирани.

5. Инструкции за поддръжка

**⚠ Caution** Не използвайте продукт, който е повреден / деформиран. Ако се получат необичайни шумове или вибрации, незабавно спрете ползването, след което инспектирайте и поискайте помощ от производителя. Препоръчително е такава инспекция да се извърши от оторизиран от производителя или доставчика ремонтен сервиз.

**⚠ Caution** Първата единична причина за неизправности по хидравличните устройства е замърсяването.

Поддържайте сервизния крик чист и добре смазан за да предотвратите попадането на чужди тела в системата. Ако крикът е бил изложен на въздействието на дъжд, сняг, пясъчни частици и фини стружки, трябва да бъде почистен преди употреба.

Съхранявайте крика с напълно прибрано бутало и в добре защитени места, където няма да е изложен на корозивни изпарения, абразивен прах, или никакви други вредни влияния.

Периодично проверявайте състоянието на продукта.

Съхранявайте продукта в суха, неагресивна в корозионно отношение среда.

Собственикът / работещият с този продукт трябва да разбира ясно, че ремонтът на това оборудване може да изисква специализирани познания и условия за извършването му. Препоръчва се извършването на ежегодна инспекция на продукта от оторизирана от производителя или доставчика сервизна работилница и всички дефектни части, етикети, или знаци и обозначения за безопасност, да бъдат подменени с определени такива от страна на производителя или доставчика. Списък на оторизираните сервизни бази може да бъде получен от производителя или доставчика - моля обърнете се към тях за съдействие.

Всеки продукт, който изглежда повреден, по какъвто и да било начин, който бъде намерен за износен, или работи необичайно, ТРЯБВА ДА БЪДЕ СВАЛЕН ОТ ЕКСПЛОАТАЦИЯ, ДОКАТО НЕ БЪДЕ ОТРЕМОНТИРАН. Препоръчва се необходимите ремонти да бъдат извършвани от оторизиран от производителя или доставчика сервизни бази, ако разбира се подобни ремонти бъдат разрешени от производителя или доставчика.

Всякакви приспособления и/или приставки доставени от производителя, трябва да се използват.

Проектът е утвърден съгласно: ASME ASP-2010

7. Декларация за съответствие

Ние: **CHICAGO PNEUMATIC Tool Co. LLC, 1815 Clubhouse Road, Rock Hill, SC 29730 - USA**

Декларираме, че продукта (-ите): **CP86750/CP86100** Серии №: 00001 до 99999

Тип на машината (-е): **Хидравличен натиск** Произход на продукта: **Китай**

е в съответствие с изискванията на Директивите на Съвета за сближаване на законодателствата на страните-членки свързани с: „Машини“ **2006/42/EC (17/05/2006)**

приложимите хармонизирани стандарти: **EN 13736 : 2003 + A1 : 2009**

Име и длъжност на издаващия: **Pascal Roussy (R&D Manager)**

Място и дата: **Saint-Herblain, 10/04/2020**

Техническото досие може да бъде получено от седалището на EC. Nicolas Lebreton R&D manager CP Technocenter 38, rue Bobby Sands - BP10273 44800 Saint Herblain - France

Оригиналните инструкции са на английски език. Текстът на други езици е превод на оригиналните инструкции.

Copyright 2020, Chicago Pneumatic Tools

Всички права запазени. Всякава неоторизирана употреба или копиране на настоящото съдържание са забранени. Това се отнася по-специално за търговските марки, обозначенията на моделите и номерата на частите и чертежите. Ползвайте единствено оторизирани части. Всякакви повреди или неизправно функциониране причинени от използването на неоторизирани части не се покриват от Гаранцията или Отговорностите на продукта.

## 1. Teknik Veri (Şekillere bakınız 1.)

Boyut	Ağırlık	kapasite	hava Basıncı	A	B	C	F	E
Birim	[kg]	[kg]	[bar]	[mm]	[mm]	[mm]	[mm]	[mm]
CP86750	498	75000	7.5-8.5	1140	800	1840	245	800
CP86100	766	100000	7.5-8.5	1200	990	1830	300	787

Boyut	F1	F2	R(Strok)	M	Voil	Hidrolik sistem basıncı	Ses basıncı	Ses gücü	Belirsizlik K
Birim	[mm]	[mm]	[mm]	[mm]	[l]	[MPa]	[dB(A)]	[dB(A)]	
CP86750	170	884	250	260	4.5	59.92	75.4	91.1	4.8
CP86100	114	814	300	235	5.6	63.69	75.4	91.1	4.8

Statik Test Katsayısı: 1.5 / Dinamik Test Katsayısı: 1.25 .

Bu değerler bu yayının tarihinde geçerlidir. En son bilgiler için lütfen [www.cp.com](http://www.cp.com) adresini ziyaret ediniz.

**Gürültü beyanı ve titreşim açıklaması :** Bildirilen bu değerler adı geçen standartlara uygun olarak laboratuvar tipi testlerden elde edilen değerlerdir ve aynı standartlara göre test edilmiş diğer aletler için bildirilmiş değerler ile karşılaştırılmaya uygundur. Bildirilen bu değerler risk değerlendirmesinde kullanım için uygun değildir ve tek tek çalışma yerlerinde ölçülen değerler daha yüksek olabilir. Gerçek maruz kalma değerleri ve bireysel kullanıcı tarafından tecrübe edilen zarar görme riski benzersizdir ve kullanıcının çalışma şekli, yapılacak iş ve işin yapılacağı yerin yapısının yanı sıra maruz kalma süresi ile kullanıcının fiziksel durumuna bağlıdır. Bizler, CHICAGO PNEUMATIC TOOLS olarak, kontrolü elimizde olmayan bir iş yeri durumundaki özel risk değerlendirmesinde gerçek maruz kalmayı yansıtan değerler yerine bildirilen değerlerin kullanılmasının sonuçlarından sorumlu tutulmayız. Bu alet uygun biçimde kullanılmadığında eller ve kollarla titreşimden kaynaklanan sorunlara neden olabilir. El ve kol titreşimi ile ilgili bir AB kılavuzuna [www.pneurop.eu/uploads/documents/pdf/PN3-02-NV\\_Declaration\\_info\\_sheet\\_0111.pdf](http://www.pneurop.eu/uploads/documents/pdf/PN3-02-NV_Declaration_info_sheet_0111.pdf) adresinden erişilebilir. Ses veya gürültü nedeniyle oluşabilecek hastalık belirtilerinin erken teşhisi için bir sağlık taraması programının uygulanması önerilir.

## 2. Makine Türü

- Parçaların montajı ya da sökmü için basınç uygulayan bu üniteler, elle ve Hava-hidrolik desteği (isteğe bağlı) ile çalıştırılır.
- Presi doğru şekilde kullanmak için kesinlikle maksimum kapasiteyi aşmayın ve gerekenden fazla basınç uygulamayın.
- Hiçbir başka amaçla kullanımına izin verilmez. Sadece profesyonel kullanıcı için.
- Lütfen ürün güvenliğini dikkate alınız!

## 3. Montaj talimatı

Montaj önce tüm parçaları civata, pullar çıkar.

- Presi ilk çalıştırmadan önce, ambalajından çıkarmak, ayakları, tablayı ve manometreyi monte etmek gereklidir. Bu işlemler farklı pozisyonlarda gerçekleştirilebilir,ama bunun değerlerinin yardımını veya mekanik araçların kullanımını gerektiren ağır elemanlar olduğunu katıyen unutmayın.
- Sağlanan vidalar kullanılarak ayaklar şasiye ve tablalara seçilmiş çalışma yükseklğine göre Şekil 02 daha önceden kolonun dış tarafları üzerine yerleştirilmiş olan Şekil 02'deki iki B ekseniine sabitlenir. Civata, rondela, yaylı rondela ve somun kullanılarak sol ve sağ plaka bağlantısı desteğini ve taban bölümünün takın.
- Pompa düzeneğini, Şekil 07 ( CP86750 ), Şekil 09 ( CP86100 ), direğin dış tarafına çıkarın, pompa düzeneğini presin yan tarafına koyun ve bağlantı plakası üzerine civata ve rondela ile sabitleyin.
- Manometrenin yerleştirilmesi: Manometrenin, presin üst kısmında Şekil 06 bulunan hidrolik ünitenin üzerine yerleştirilmesi gerekir. Metal kapağı çıkarın ve manometre gövdesinin içinde olan O-segman conta kurulum sırasında altta kaldığından emin olarak manometreyi yerleştirin.
- Yağ hortumunu birleştirin : Şekil.08 ( CP86750 ), Şekil.10 ,Şekil.11 ( CP86100 ).
- Makineyi taşıma sırasında, lütfen uygun kaldırma ekipmanları kullandığınızdan emin olun ve Şekil 02'de gösterilen talimatları izleyin.

**⚠ Caution** Makineyi kullanırken daima kolay bir erişim sağlayabilmek için makinenin hem ön hem arka tarafında 1 metrelik bir çalışma alanı boş bırakılmalıdır.

Hidrolik sistemdeki havayı boşaltın:

- Serbest bırakma vanasını saat yönünün tersine çevirerek açın ve hava boşaltma vanasını açın Şekil 07.
- Ardından hidrolik üniteyi birkaç kez pompalayın. Daha sonra, serbest bırakma vanalarını tam olarak saat yönünde çevirin. Hidrolik ünite kullanıma hazır hale gelir.

## 4. İşletim

**⚠ WARNING** İlk kullanımdan önce, lütfen makineyi ankraj civatası ile yere sabitleyin. Makine sahasının ayakta olan yüzeyini sabit ve yatay olduğundan ve yeterli aydınlatma sağlandığından emin olunması gereklidir.

**⚠ WARNING** Yaralanma riskini azaltmak için, ayrıca sağlanan güvenlik talimatlarını ve pres hakkında bildirilen güvenlik bilgilerini okuyun ve anlayın Şekil 16.

**⚠ WARNING** Pres kullanımını takiben, piston tamamen geri çekilmiş olarak tutun.

**⚠ WARNING** Tablanın uygun pozisyonunda olduğundan emin olun ve tablayı pimlerle sıkıca kilitleyin. V-bloğu tablaya yerleştirin, Şekil 02, daha sonra parçayı V-blok üzerine takın.

- V-bloklar birer tane değil çiftler halinde kullanılmalıdır!
- Presi yalnız bir kişinin çalıştırmasına izin vardır.

### 4.1 Operasyonu Talimatı CP86750

- WP100P atölye presi için sadece tek (1) olan serbest bırakma vanalarını sıkıca kapanıncaya kadar saat yönünde çevirerek kapatın, Şekil 02.
- Tırtıklı oturak iş parçasına yaklaşınca kadar kolu/ayak pedalını pompalayın.
- Merkezi yüklenme sağlama işi parçası ve pistonu hizalayın.
- İş parçası üzerine yük uygulamak için kolu/ayak pedalını pompalayın (lütfen manometre numara okuma yöntemine bakın) .
- İş bittiği zaman, kolu/ayak pedalını pompalamayı durdurun, serbest bırakma vanasını küçük artışlarla saat yönünün tersine çevirerek yavaş yavaş ve dikkatle iş parçasından yükü kaldırın. (küçük açi ile çevrilmelidir, en büyüğü iki dairedir Şekil 17).
- Piston tamamen geri çekildikten sonra, tabladan iş parçasını çıkarın.

#### 4.2 Operasyonu Talimatı CP86100

##### 4.2.1 İki türlü çalışma:

- Manüel çalışma: Sap borusunu (50) sap soketlerine sokun. 2 tane sap soketi bulunmaktadır. Üst taraftaki (31) yüksek basınç ve düşük hız için, alt taraftaki (50) ise düşük basınç ve yüksek hız içindir. ekil 12.
- Hava ile çalışma: Hava taban valfine (61, ekil 08) basın.

##### 4.2.2 Pistonun Kısıpı Uzaması

- Sap kolu seçme valfinin 3 konumu bulunmaktadır: Konum 1'de olduğu zaman, piston kolu kısılır. Konum 1'de olduğu zaman, piston kolu Hareketi durdurma. ekil 13. Konum 1'de olduğu zaman, piston uzatma. Konum 1'de olduğu zaman piston kolu kısılır.

##### 4.2.3 İşletim

- Sap kolu konum 3'e getirilip ardından hava taban valfine basıldığı zaman piston kolu hızla uzar. Dikkat: ASLA aynı anda manüel olarak (Manüel Alçak Basınç) çalıştırmayın.
- Oluşan altlık iş parçasına yaklaştığı zaman manüel çalıştırmaya geçin.
- İş Parçası ile piston kolu düzgünce hizalanacak şekilde iş parçasını yerini ayarlayın.
- İş parçasını preslemeye başlayın. Sap borusunu yüksek basınç soketine (P31) sokun ve sap borusu ile pompalayın. Piston kolu yavaşça uzayarak iş parçasını presler. Operatör hava ile presleyebileceği gibi aynı anda hava ile ve manüel şekilde de presleyebilir.
- Basınç tahliye edin: Sap kolu konum 2'e getirilip, piston kolundaki basınç otomatik şekilde tahliye olacaktır.
- Piston çubuğunun geri çekilmesi :Sap kolu konum 1'e getirilip, ve hava veya manuel olarak çalışır. Dikkat: ASLA aynı anda manüel olarak (Manüel Alçak Basınç) çalıştırmayın.
- Tamamlandığında, kompresörden gelen hava hortumunu ayırın ve makineyi temizleyin.

**⚠ WARNING** Çekicinin güvenli çalışma yükünü / nominal kapasitesini aşmayınız.

**⚠ WARNING** Operatörün işlem sırasında mutlaka koruyucu giysi, eldiven, güvenlik baret, pabuçları ve kulak koruyucu kullanmasını sağlayın.

**⚠ WARNING** Kaza olmaması için makinede sürmekte olan tüm işlere dikkat edin. Ayrıca, daima yapılan işe odaklanın.

**⚠ WARNING** Bu ürün ve aksesuarları üzerinde değişiklik yapılmamalıdır.

## 5. Bakım talimatı

**⚠ Caution** Hasarlı/deforme ürünü kullanmayınız. Anormal gürlütlü ya da titreşim meydana gelirse, derhal kullanımını durdurup, daha sonra denetleyiniz ve üreticiden yardım isteyiniz. Bu denetim üreticinin veya tedarikçinin yetkili onarım tesisi tarafından yapılması tavsiye edilir.

**⚠ Caution** Hidrolik ünitelerde en büyük tek arıza nedeni kirdir. Sisteme yabancı madde girmesini önlemek için servis krikosunu temiz ve iyice yağlanmış durumda tutun. Kriko yağmur, kar, kum veya çakıl koşullarına maruz kaldığı takdirde kullanılmadan önce temizlenmelidir. Krikoyu korozif buharlar, aşındırıcı toz veya başka zararlı etkenler tarafından etkilenmeyecek iyi korumaya sahip bir yerde pistonlar tamamen geri çekilmiş olarak saklayın.

Periyodik olarak ürünün durumunu kontrol ediniz.

Ürünü kuru ve korozyon olmayan ortamda saklayınız.

Sahipleri ve/veya operatörleri bu ekipmanın onarımının özel bilgi ve tesisler gerektirebileceğini farkında olmalıdır. Ürünün yıllık denetiminin üreticinin veya tedarikçinin yetkili onarım tesisinde yapılması ve tüm arızalı parçalar, çıkartmalar ya da güvenlik etiketleri veya işaretlerinin üreticinin veya tedarikçinin belirttiği parçalar ile değiştirilmesi tavsiye edilir. Yetkili onarım tesislerinin listesi üretici veya tedarikçiden temin edilebilir, yardım için lütfen onları arayınız. Herhangi bir şekilde hasarlı görünen, yıpranmış bulunan ya da anormal çalışan her türlü ürün ONARIMA KADAR HİZMETTEN ÇIKARILACAKTIR.

Onarımlara üretici veya tedarikçi tarafından izin veriliyorsa, gerekli onarımların üreticinin veya tedarikçinin yetkili onarım tesisi tarafından yapılması tavsiye edilir.

Yalnızca üretici tarafından sağlanan ek parçaları ve/veya adaptörler kullanılacaktır.

Tasarım göre onaylanmıştır: ASME ASP-2010

## 7. Uygunluk Beyanı

Biz: **CHICAGO PNEUMATIC Tool Co. LLC, 1815 Clubhouse Road, Rock Hill, SC 29730 - USA**

Beyan ederiz ki ürün(ler): **CP86750/CP86100** Seri no: 00001'dan 99999'a

Makine Türü: **Hidrolik pres** Ürünün menşei: **Çin**

aşağıdaki ile ilgili Üye Devletlerin yasalarının birbirlerine yaklaştırılması ile ilgili konsvey Direktiflerinin gerekliliklerine uygundur: „Makine“ **2006/42/EC (17/05/2006)**

uygulanabilir uyumlaştırılmış standart(ler): **EN 13736 : 2003 + A1 : 2009**

Verenin adı ve pozisyonu: **Pascal Roussy (R&D Manager)**

Yer ve Tarih: **Saint-Herblain, 10/04/2020**



AB merkezinden edinilebilir teknik dosya. Nicolas Lebreton R&D manager CP Technocenter 38, rue Bobby Sands - BP10273 44800 Saint Herblain - France

Orijinal Talimatlar İngilizce'dir. Diğer diller orijinal talimatların çevirisidir.

## Copyright 2020, Chicago Pneumatic Tools

Tüm hakları saklıdır. İçeriğin veya bir kısmının her türlü yetkisiz kullanımı veya kopyalanması yasaklanmıştır. Özellikle bu; ticari markalar, model adları, parça numaraları ve çizimler için geçerlidir. Sadece onaylı parçaları kullanınız. Onaysız parça kullanımından doğabilecek her türlü hasar veya arıza Garanti veya Ürün Sorumluluğu kapsamı dışında kalır.

## 1. 技术数据 (见图 1.)

尺寸	重量	容量	空气压力	A	B	C	F	E
单位	[kg]	[kg]	[bar]	[mm]	[mm]	[mm]	[mm]	[mm]
CP86750	498	75000	7.5-8.5	1140	800	1840	245	800
CP86100	766	100000	7.5-8.5	1200	990	1830	300	787

尺寸	F1	F2	R(冲程)	M	Voil	液压系统压力	声压	声功率	不确定性 K
单位	[mm]	[mm]	[mm]	[mm]	[l]	[MPa]	[分贝(A)]	[分贝(A)]	
CP86750	170	884	250	260	4.5	59.92	75.4	91.1	4.8
CP86100	114	814	300	235	5.6	63.69	75.4	91.1	4.8

静态测试系数: 1.5 / 动态测试系数: 1.25.

所有数值都是截至本刊出版当日的现行值, 有关最新信息, 请访问www.cp.com。

噪声和振动标准声明: 所公布的数值是根据既定标准, 通过实验室测试的方式所取得, 适用于和按照相同标准测试的其它工具的公布值作比较。这些公布值不足以用来进行风险评估, 个别工作场所的测量值可能会较高。实际接触值和损害风险因人而异, 取决于使用者的工作方式、工件、工作台的设计以及接触的时间和使用者的身体状况。对于因使用所公布的数值而非反映实际使用情况的数值, 在我方 (CHICAGO PNEUMATIC TOOLS) 不能进行控制的工作场所进行独立风险评估时所造成的后果, 我方一律不承担任何责任。如果对这种工具的用途没有进行充分管理, 可能会导致手臂振动综合症。有关欧盟对手臂振动综合症的管理指南, 请查阅www.pneurop.eu/uploads/documents/pdf/PN3-02-NV\_Declaration\_info\_sheet\_0111.pdf 我们建议实行健康监督制度, 检测与噪音或振动接触相关的早期症状, 以便修订管理规则, 防止未来的损害。

## 2. 机器类型

- 此处所述设备为带气动液压助动 (选配项) 的手动操作, 在零部件上施加压力, 用于零部件装配或拆卸。
- 妥善使用压力设备, 切勿超出其最大容量。切勿使用过度的压力。
- 不得用于其它用途。仅供专业使用。
- 请严格遵守产品安全信息!

## 3. 安装说明

组装之前, 卸掉所有部件的螺栓, 垫圈。

- 在使用压力装置前, 必须先打开包装, 安装支脚、工作台和压力计。可以用不同的姿势操作, 但要切记机件很沉重, 需要他人的协助或使用机械手段。
- 使用内附的螺栓将支脚固定在底座上, 将工作台固定到图02的两根B轴上, 这两根轴之前已经按照图02所选择的工作高度在立柱外侧定位。使用螺栓、垫圈、锁紧垫圈和螺母, 将底座部分及支脚连接到左右连接板上。
- 如图07(CP86750)、图09(CP86100)所示, 将泵体总成移到压力装置外面, 用刚才卸除的螺栓和垫圈在右侧连接板上拧紧。
- 安置压力计: 压力计应安置在位于压力装置上部的液压单元上, 见图06。卸下金属盖, 安置压力计, 请取保压力计机壳内的O型密封圈在安装后仍留在底部。
- 安装油管: 图08 (CP86750), 图10, 图11 (CP86100)。
- 移动机器时, 请确保使用适当的起重设备, 并遵循图02所示的说明。

**⚠ Caution** 机器运行时, 其前后都必须保持1米的工作区域, 以便接近。

从液压系统中清除空气:

- 要打开释放阀, 向逆时针方向旋转, 并开启放气阀门, 见图09。
- 然后泵压液压装置数次。再按顺时针方向完全旋转释放阀。这个液压装置就准备就绪了。

## 4. 操作

**⚠ WARNING** 首次使用前, 请用脚螺栓将机器固定在地面。必须确保机器安置点的地面坚固水平, 并有充足的照明。

**⚠ WARNING** 为降低人员伤害的危险, 请阅读并理解分别提供的安全说明以及压力装置上的安全信息, 见图16。

**⚠ WARNING** 压力装置在使用后, 应保持活塞完全缩回。

**⚠ WARNING** 确保工作台的位置适当, 并用插销别针牢牢锁住。将V型块放在工作台上, 见图02, 然后将工件插入V型块。

- V型块必须成对使用, 不得单用!
- 只允许一个人操作压力机。

### 4.1 操作说明 CP86750

- 参见图07, 顺时针旋转关闭释放阀, 直至完全关闭
- 泵压手柄/踏板直至锯齿形底座接近工件。
- 对齐工件和压头, 确保中心加载。
- 泵压手柄/踏板, 给工件加载(请观察压力计的计数)。
- 在工作完成后, 停止泵压手柄/踏板, 逆时针方向以小增量旋转释放阀, 缓慢地从工件上去除负载。(必须以小角度旋转, 最大行程为两圈, 见图15)
- 一旦压头完全缩回, 从工作台上移除工件。



#### 4.2 操作说明 CP86100

##### 4.2.1 两种操作方式:

• 手动操作: 将手柄管 (50) 插入手柄插座中, 有上下两个手柄插座可供选择。当使用上手柄插座 (P31) 时, 压机高压低速; 当使用下手柄插座 (P43) 时, 压机低压高速。(图12)

• 气动操作: 打开气动脚踏阀 (61, 图8),


##### 4.2.2 活塞的收缩和伸长


• 选择阀手柄杆有三个位置。当手柄杆位于位置1时, 活塞可以收缩。当手柄杆位于位置2时, 活塞停止运动。当手柄杆位于位置3时, 活塞可以伸长。图13


##### 4.2.3 操作

- 将手柄杆 (99) 调整到位置3, 打开气动脚踏阀 (61, 图8), 活塞杆将快速伸长。警告: 不要同时用手动操作 (手动低压方式)。
- 当锯齿顶头将接近工件时, 将气动操作方式转为手动操作。
- 调整工件的位置确保工件和活塞杆对齐。
- 开始压工件。将手柄管插入高压插座 (P31), 操作手柄管, 活塞杆缓慢伸长压工件。操作者也可以使用气动操作, 或者手动和气动同时操作。
- 释放压力: 将手柄杆调至位置2, 活塞杆上的压力便会自动释放掉。
- 活塞杆的收缩: 将手柄杆调至位置1, 手动或者气动操作。警告: 不要同时用手动操作 (手动低压方式)。
- 完成操作, 从空压机断开气管, 清理压机。


 **WARNING** 不得使台车超负荷工作。


 **WARNING** 切记在操作期间, 操作员必须穿着防护服、防护手套、安全帽、鞋及护耳。

 **WARNING** 为避免事故, 一定要了解机器上正在进行的加工。同时, 要始终专注于有待完成的工作。

 **WARNING** 严禁对该产品或其附件进行修改。

## 5. 维护说明

 **Caution** 不要使用受损/变形的产品。如果发生异常噪音或振动, 立即停止使用, 然后检查并寻求生产商的帮助。建议由生产商或供应商的授权维修机构进行这一检查。

 **Caution** 液压设备故障的最大肇因是尘土。千斤顶要保持清洁, 并润滑良好, 防止异物进入系统。如果千斤顶接触过雨、雪、沙或砂砾, 在使用前必须要进行清洁。

千斤顶要存放在保护良好的区域, 活塞要完全缩回, 存放的地方要免于接触腐蚀性气体、磨屑、或任何其他有害元素。

定期检查产品的情况。

将本产品存放在干燥无腐蚀的环境内。

业主和/或操作员应当知道, 本设备的修理需要专门知识和设施。建议由生产商或供应商的授权维修机构每年对本产品进行检验, 任何有缺陷的零部件、标签或安全标志或标识都应使用生产商或供货商指定的零部件来更换。生产商或供货商处都有一份授权维修机构的清单, 请致电求助。

显示出任何形式的损伤、磨损或操作不正常的任何产品, 都应该停止使用, 直至修复。如果生产商或供应商批准修理, 建议由生产商或供应商的授权维修机构来进行必要的修理。

仅使用生产商供应的附件和/或适配器。

根据该设计已通过验证: ASME ASP-2010

## 7. 一致性声明

我们: CHICAGO PNEUMATIC Tool Co. LLC, 1815 Clubhouse Road, Rock Hill, SC 29730 - USA

声明, 本产品: CP86750/CP86100 系列: 00001 至 99999

机器类型: 液压压力装置 产品原产地: 中国

符合理事会有关成员国近似法律的指令要求, 相关于: “机械” 2006/42/EC (17/05/2006)

适用协调标准: EN 13736: 2003 + A1: 2009

发行者姓名和职务: Pascal Roussy (R&D Manager)

地点和日期: Saint-Herblain, 10/04/2020



技术参数资料可以从EU总部获得。Nicolas Lebreton R&D manager CP Technocenter 38, rue Bobby Sands - BP10273 44800 Saint Herblain - France

原始的说明书使用英文。其它语言皆是原始说明书的翻译。

Copyright 2020, Chicago Pneumatic Tools

保留所有权利。未经授权, 禁止对本文内容或当中任何部分进行使用或复制。本规定尤其适用于商标、型号名称、部件号和图纸。只能使用经过授权的部件。因使用未经授权部件而导致的任何损失或机能失常不受产品保证或产品义务的保障。

## 1. 技術データ (図参照 1.)

□□	□□	□□	□□□	A	B	C	F	E
□□	[kg]	[kg]	[bar]	[mm]	[mm]	[mm]	[mm]	[mm]
CP86750	498	75000	7.5-8.5	1140	800	1840	245	800
CP86100	766	100000	7.5-8.5	1200	990	1830	300	787

□□	F1	F2	R(□□□□)	M	Voil	□□□□□□□□	□□	□□□□□□	□□□□ K
□□	[mm]	[mm]	[mm]	[mm]	[l]	[MPa]	[dB(A)]	[dB(A)]	
CP86750	170	884	250	260	4.5	59.92	75.4	91.1	4.8
CP86100	114	814	300	235	5.6	63.69	75.4	91.1	4.8

スタティックテスト係数: 1.5 / ダイナミックテスト係数: 1.25.

値はすべて本書発行日現在のもので、最新情報については [www.cp.com](http://www.cp.com) をご覧ください。

**騒音・振動宣言:** これらの表示数値は、定められた基準を満たした実験室的な試験により得られたもので、同じ基準によりテストされた他のツールの表示値との比較に適しています。危険性評価への使用には充分ではありません。個々の作業場において測定された数値は、表示されている数値より高くなる可能性があります。実際のエクスポーザ (暴露) 数値および個々のユーザーが経験する悪影響の危険性は独特で、ユーザーの作業方法、ワーク、および作業台のデザインとともに、エクスポーザ時間やユーザーの体調により異なります。CHICAGO PNEUMATIC TOOLS は、管理の及ばない作業環境における個々のリスク評価と、実際の暴露を反映する値ではなく、宣言値を使用した結果については責任を負いません。このツールは、適切な管理がなされない場合、振動障害 (頸肩腕症候群) の原因になることがあります。腕の振動の管理に関する EU の指針については [www.pneurop.eu/uploads/documents/pdf/PN3-02-NV\\_Declaration\\_info\\_sheet\\_0111.pdf](http://www.pneurop.eu/uploads/documents/pdf/PN3-02-NV_Declaration_info_sheet_0111.pdf) をご覧ください。傷害を防ぐため、健康調査プログラムから、騒音/振動との関係が考えられる初期症状を確認し、管理手順を変更することをおすすめします。

## 2. 機種

- ここで説明する本体ユニットは、エアハイドロのサポート (オプション) とともにマニュアルで操作し、パーツを分解/組み立てるため圧力を加えます。
- プレスを正しく操作するため、最大容量を守り、必要以上の圧力をかけないでください。
- 他の用途に使用することはできません。業務・作業専用です。
- 製品安全情報をお守りください!

## 3. 取付け方法

組み立てる前に、すべての部分からのボルト、ワッシャを脱く。

- 初めてプレスを操作する前に、開梱し、脚、テーブル、圧力ゲージを取り付ける必要があります。取り付けを行う位置や姿勢は選べますが、重量があるため、人手や機械が必要です。
- 脚は、付属のネジでシャシーに固定し、テーブルは 図02 の2つのB 軸に取り付けます。B 軸は、作業を行う高さに対応するカラムの外側にあらかじめ備え付けてあります (図02)。ボルト、ワッシャ、止めワッシャ、ナットを使い、ベース部とサポートを左右接続プレートに取り付けます。
- ポンプアセンブリ、図07 (CP86750)、図09 (CP86100) をポストの外側に移動させます。取り外したボルト、ワッシャを使い、右接続プレートにしっかりと締め付けます。
- マノメータの位置決め: マノメータはハイドロユニットに設置します。プレスの上部にあります (図06)。金属カバーを取り外し、マノメータを位置決めするとき、マノメータ内側のOリングシールが取り付け後に下部に来るようにします。
- オイルホースを組み立てる: 図08 (CP86750)、図010、図11 (CP86100)。
- 本機を移動する際は、図02 に示すように、リフト機器を使い、指示説明に従ってください。

**Caution** 本機が動作中は、本機の前面、背面に作業エリアを確保し、いつでもアクセスできるようにします。

油圧系から空気を抜きます:

- リリースバルブを開け、反時計回りに回し、エアブリードバルブを開けます (図09)。
- 次にハイドロユニットを数回ポンピングします。次にリリースバルブを時計回りに回り切ります。これでハイドロユニットを使用することができます。

## 4. 操作

**WARNING** 初めて使用する前に、本機をアンカーボルトで床に固定してください。本機を置いた面が水平で安定しており、照明が十分なことを確認してください。

**WARNING** 傷害の危険を少なくするため、付属の安全上の注意事項、プレスの安全に関する情報をよくお読みください (図14)。

**WARNING** プレスを使用した後は、ピストンを完全に引き込んだ位置に戻しておいてください。

**WARNING** テーブルが正しい位置にあることを確認し、ピンでしっかりと固定します。Vブロックをテーブルに置き (図02)、ワークピースをVブロックに置きます。

- Vブロックは単品ではなくペアで使用します。
- プレスを操作できるのは1人だけです。

### 4.1 ための動作命令 CP86750

- リリースバルブを開けるため (図02)、しっかりと固定されるまで時計回りに回します。WP100P ワークショッププレスは1つだけです。
- 鋸歯状のサドルがワークピースに近づくまでハンドル/フットペダルをポンピングします。
- センターローディングができるようワークピースとラムの位置を合わせます。
- ハンドル/フットペダルをポンピングしてワークピースに負荷をかけます (圧力ゲージの数値を確認してください)。
- 作業が終了したら、ハンドル/フットペダルのポンピングを止め、リリースバルブを反時計回りに少しずつ回し (回す角度を小さくします。図17参照)、ワークピースの負荷をゆっくり除きます。
- ラムが完全に引き込んだら、テーブルからワークピースを取り外します。

4.2 ための動作命令 CP86100

4.2.1 2通りの操作:

• 手動操作: ハンドルチューブ (50) をハンドルソケットにセットします。ハンドルソケットは2つあります。上部 (31) は高圧、低速用、下部 (50) は低圧、高速用です。(図12)。

• 空気による操作: エアフットバルブ (61, 図8) を押します。

4.2.2 ピストンの引き込みと延伸

• セレクタバルブのハンドルレバーの3ポジション: それは位置1にあるとき、ピストンロッド後退である。それが位置2にあるとき、ピストンロッドが移動を停止している。それは位置3にあるとき、ピストンロッドが延びている。図13。

4.2.3 操作

• ハンドルレバーをポジション3にし、エアフットバルブを押すと、ピストンロッドが素早く延伸します。警告: 手動で (手動低圧) 同時に操作しないでください。

• 鋸歯状サドルがワークピースに近づいたら手動操作に切り替えます。

• ワークピースの位置を調整し、ワークピースとピストンロッドを正しく揃えます。

• ワークピースを押します。ハンドルチューブを高圧ソケット (P31) にセットし、ハンドルチューブをポンピングします。ピストンロッドがゆっくり延伸してワークピースを押します。空気で押すが、空気と手動同時に押すことができます。

• 圧力の解除: ハンドルレバーをポジション2にし、ピストンロッドの圧力は自動的に解除されます。

• ピストンロッドの後退: ハンドルレバーをポジション1にし、と空気または手動により動作する。警告: 手動で (手動低圧) 同時に操作しないでください。

• 完了すると、コンプレッサーからの空気ホースを切断し、マシンを清掃してください。

**⚠ WARNING** 台車は、作業負荷限度/定格積載荷重を超えない範囲で使用してください。

**⚠ WARNING** オペレータは操作時、保護服、手袋、ヘルメット、安全靴、イヤープロテクタを着用してください。

**⚠ WARNING** 事故を防ぐため、本機が動作していることを常に意識してください。行われる作業に注意を集中させてください。

**⚠ WARNING** この製品と付属品は、どのような形であれ改変しないでください。

5. メンテナンスの方法

**⚠ Caution** 破損/変形した製品は使用しないでください。異常な騒音や振動がある場合は直ちに使用を中断し、メーカーに検査、サポートを依頼してください。この検査はメーカーまたはサプライアの指定修理施設で行うことをおすすめします。

**⚠ Caution** ハイドロユニットで障害の一番の原因となるのは汚れです。システムに異物が入るのを防ぐため、サービスマンには常に清潔にし、潤滑剤を塗布してください。ジャッキに雨、雪、砂、砂利がかからないようにしてください。使用前にクリーニングしてください。ジャッキは、ピストンを完全に引き込んだ状態で、腐食性の蒸気、摩擦性の埃などのない場所に保管します。

製品の状態を定期的にチェックしてください。

製品は腐食の起こらない乾燥した場所に保管してください。

本器の修理には特別な知識と設備が必要になることがあります。メーカーまたはサプライアの指定修理施設で本製品を年に1回検査することをおすすめします。欠陥のあるパーツ、ステッカー、安全ラベル、シンボル記号等はメーカー/サプライアの指定パーツと交換してください。指定修理施設についてはメーカーまたはサプライアにお問い合わせください。

何らかの形で破損、摩擦、異常動作の認められる製品は、修理が終わるまで使用しないでください。修理がメーカー/サプライアによって可能な場合、メーカーの付属品、アダプタを使用してください。

デザインには従って検証されました: ASME ASP-2010

7. 適合宣言

当社は CHICAGO PNEUMATIC Tool Co. LLC, 1815 Clubhouse Road, Rock Hill, SC 29730 - USA

製品が: CP86750/CP86100 番号: 00001-99999

機種: ハイドロプレス 製造元: 中国

下記に関連する加盟国の法律の組み合わせによる委員会指令の要件に準拠することを宣言します: "機械" 2006/42/EC (17/05/2006)

商店整合規格: EN 13736 : 2003 + A1 : 2009

発行者名称、所属: Pascal Roussy (R&D Manager)

所在地、発行日: Saint-Herblain, 10/04/2020



技術ファイルは EU 本部から入手可能。Nicolas Lebreton R&D manager CP Technocenter 38, rue Bobby Sands - BP10273 44800 Saint Herblain - France

本書は 英語からの翻訳です。

Copyright 2020, Chicago Pneumatic Tools

無断複写・転載を禁じます。内容またはその一部を許可なく使用もしくは複製することは禁じられています。これは特に、商標、モデル型式、パーツ番号、図に当てはまります。認可されたパーツ以外のものを使用しないでください。認可されていないパーツの使用による破損や不具合は保証または製造責任の対象外です。

## 1. 기술 데이터 (그림 참조 1.)

치수	무게	용량	공기 압력	A	B	C	F	E
단위	[kg]	[kg]	[bar]	[mm]	[mm]	[mm]	[mm]	[mm]
CP86750	498	75000	7.5-8.5	1140	800	1840	245	800
CP86100	766	100000	7.5-8.5	1200	990	1830	300	787

치수	F1	F2	R(스트로크)	M	Voil	유압 시스템 압력	음압	음향 출력	불확실성 K
단위	[mm]	[mm]	[mm]	[mm]	[l]	[MPa]	[dB(A)]	[dB(A)]	
CP86750	170	884	250	260	4.5	59.92	75.4	91.1	4.8
CP86100	114	814	300	235	5.6	63.69	75.4	91.1	4.8

정적 테스트 계수: 1.5 / 동적 테스트 계수: 1.25.

모든 수치들은 이 문서 발행 날짜 현재 값입니다. 최신 정보는 [www.cp.com](http://www.cp.com)에서 확인할 수 있습니다.

소음 및 진동 설명(진술서) : 이들 값은 명시된 표준 사항에 따라 실험실에서 수행한 검사를 통해 산출되었으며 동일한 표준에 따라 검사된 다른 공구들의 값과 비교하는 데 적합합니다. 이들 명시된 값은 위험 평가에서 사용하기에는 부적합하며 개별 작업 현장에서 측정된 값은 이 값보다 더 높을 수 있습니다. 개별 사용자가 경험할 수 있는 피해 위험과 실제 값은 상황에 따라 다르므로 사용자의 물리적 조건, 노출 시간 및 사용자의 작업 방식에 따라 다를 수 있습니다. CHICAGO PNEUMATIC TOOLS는 당사의 통제 수준을 벗어나는 작업 환경에서 개별적인 위험 평가 시 실제 노출 정도를 반영하는 값이 아닌 상기 값을 사용함으로써 발생하는 결과에 대해 어떠한 책임도 지지 않습니다. 이 공구는 사용상 적절한 관리가 이루어지지 않으면 손과 팔의 진동을 유발할 수 있습니다. 손과 팔의 진동에 대한 EU 가이드는 [www.pneurop.eu/uploads/documents/pdf/PN3-02-NV\\_Declaration\\_info\\_sheet\\_0111.pdf](http://www.pneurop.eu/uploads/documents/pdf/PN3-02-NV_Declaration_info_sheet_0111.pdf)에서 찾아 보실 수 있습니다. 당사는 소음 또는 진동 노출 관련 증상을 조기에 발견하여 향후 장애를 방지하는 데 도움이 될 수 있도록 관리 절차를 수정할 수 있는 건강 관리 프로그램을 권장합니다.

## 2. 기계 유형

- 여기에서 설명하는 장비는 조립 또는 분해용 부품에 압력을 가하는 공압 써프토(읍션)를 통해 수동으로 작동합니다.
- 절대로 최대 용량을 초과하는 압력을 사용해서는 안 되며, 필요 이상의 압력을 가하지 마십시오.
- 다른 용도로 사용하지 마십시오. 전문가만 사용하십시오.
- 또한 제품 안전 정보를 숙지하십시오.

## 3. 설치 지침

조립하기 전에 모든 부분에서 볼트, 너트, 와셔를 제거한다.

- 압력을 조작하기 전에 먼저 포장을 풀고 다리, 테이블 및 압력 게이지를 장착해야 합니다. 이러한 작업은 다른 위치에서 실시할 수 있지만, 이 경우 장비가 중량물이기 때문에 보조 작업자 또는 다른 기계적 수단을 이용해야 한다는 점을 유념하시기 바랍니다.
- 다리는 제공된 나사를 사용해 새시에 고정시키고 테이블은 선택된 높이(그림 02)에 따라 이미 외측에 위치가 정해진 2개의 B축에 고정시킵니다(그림 02) 베이스를 장착하고 볼트, 와셔, 잠금 와셔 및 너트를 사용해 좌우 연결 플레이트에 고정시킵니다.
- 펌프 (CP86750) (그림 07), (CP86100) (그림 09), 를 프레스 옆으로 옮기고 볼트와 와셔를 사용해 연결 플레이트를 단단히 조입니다.
- 압력계 위치 지정: 압력계는 프레스의 상단 부분에 있는 유압 장치에 설치해야 합니다(그림 06). 급속 커브를 제거하고 압력계를 설치합니다. 설치 시, 압력계 내부에 있는 O링 실이 바닥에 있는지 확인하십시오.
- 오일 호스를 조립 : 그림 08 (CP86750) 및 그림 010 (CP86100).
- 장비를 이동할 때에는 적절한 리프팅 장비를 사용하고 그림 02에 있는 지침을 따르십시오.

**⚠ Caution** 기계가 작동 중일 때 항상 기계에 쉽게 접근할 수 있도록 기계의 작업영역 1m 앞뒤에는 아무 것도 없어야 합니다.

유압 시스템에서 공기를 빼냅니다:

- 릴리스 밸브(release valve)를 시계 반대 방향으로 돌려 연 다음 에어 불리드 밸브를 엽니다(그림 09).
- 그런 다음 유압 장치를 여러 번 작동합니다. 마지막으로 릴리스 밸브를 시계 방향으로 돌립니다. 이상으로 유압 장치를 사용할 준비가 된 것입니다.

## 4. 작동

**⚠ WARNING** 사용하기 전에 먼저 앵커 볼트를 사용해 기기를 바닥에 고정시킵니다. 기기가 수평 상태를 유지하면서 안정된 자세로 서 있는지, 작업장의 조명이 충분히 밝은지 확인하십시오.

**⚠ WARNING** 부상의 위험을 줄이기 위해 별도로 제공해 드린 안전 지침의 프레스 관련 내용을 읽고 숙지하십시오(그림 16)

**⚠ WARNING** 프레스 사용 시 다음 사항에 따르고 피스톤은 완전히 수축된 상태로 유지합니다.

**⚠ WARNING** 테이블이 올바른 위치에 있는지 확인하고 핀을 사용해 테이블을 단단히 잠금 줍니다. 테이블에 V-블록을 놓은 다음(그림 02) 작업물을 V-블록에 삽입합니다.

- V-블록은 상으로 사용해야 하며, 날개로 사용해서는 안 됩니다
- 한 사람만 프레스를 작동시켜야 합니다.

### 4.1 에 대한 작업 지시 CP86750

- 릴리스 밸브가 완전히 닫힐 때까지 시계 방향으로 돌립니다(그림 07).
- 돌리 모양의 새들이 작업물에 근접할 때까지 핸들/풋 페달을 움직입니다.
- 부하가 중앙에 오도록 작업물과 램을 나란히 놓습니다.
- 핸들/풋 페달을 움직여 작업물에 부하를 가합니다(압력 게이지의 수치 확인).
- 작업이 끝나면 핸들/풋 페달의 펌핑 작동을 멈추고 릴리스 밸브를 시계 반대 방향으로 천천히 돌려 작업물에 가해진 부하를 조심스럽게 줄입니다.(밸브는 너무 많이 돌리지 말고 조금만 돌려야 합니다. 그림 16)
- 램이 완전히 수축되면 작업물을 테이블에서 제거합니다.

4.2 에 대한 작업 지시 CP86100

- 4.2.1 2가지 조작 방법:
- 수동 조작: 핸들 튜브(50)를 핸들 소켓에 끼웁니다. 2개의 핸들 소켓이 제공됩니다. 상단에 있는 핸들 소켓(31)은 고압 저속용이고 하단에 있는 다른 하나(50)는 저압 고속용입니다. (그림 12)
- 에어에 의한 조작: 에어 쏙 밸브(61, 그림 8)를 감압합니다.
- 4.2.2 피스톤의 반작용 및 확장
- 셀렉터 밸브의 핸들 레벨 조정 위치(3개 위치): 이 위치 1에 있을 때, 피스톤로드 후진; 이 2 위치에 있을 때, 피스톤로드가 이동을 중지하고; 그것은 3 위치에 있을 때, 피스톤로드가 연장된다. (그림 13)
- 4.2.3 작동
- 핸들 레버를 위치 3으로 돌린 다음 에어 쏙 밸브를 감압하면 피스톤 로드가 빠르게 확장됩니다. 경고: 절대로 동시에 수동으로 조작(수동 저압)하지 마십시오.
- 롤니 모양의 새들(saddle)이 작업물에 가까워지면 수동 조작으로 바꿉니다.
- 작업물과 피스톤 로드가 올바르게 정렬되도록 작업물의 위치를 조정합니다.
- 작업물에 압력을 가하기 시작합니다. 핸들 튜브를 고압 소켓(P31)에 끼우고 핸들 튜브를 움직이면 피스톤 로드가 천천히 확장됩니다. 이 때, 작업물에 압력을 가합니다. 작업자는 에어로 압력을 가하거나 에어와 수동으로 동시에 압력을 가할 수 있습니다.
- 압력 해제: 핸들 레버를 위치 2으로 돌린, 피스톤 로드에 가해진 압력이 자동으로 풀어집니다.
- 피스톤로드의 후진: 핸들 레버를 위치 1으로 돌린, 공기 또는 수동으로 작동합니다. 경고: 절대로 동시에 수동으로 조작(수동 저압)하지 마십시오.
- 완료되면 압축기에서 공기 호스를 분리하고 기기를 청소.

**⚠ WARNING** 돌리의 최대 사용중량을 넘지 않도록 하십시오.

**⚠ WARNING** 작업자는 작동 중에 반드시 보호복, 장갑, 안전 헬멧, 안전화, 방음 보호구를 착용해야 합니다.

**⚠ WARNING** 사고를 예방하려면 기계에서 진행 중인 작업에 대해 항상 파악하고 있어야 합니다. 또한 수형 중인 작업에 항상 집중해야 합니다.

**⚠ WARNING** 이 제품과 제품의 역세서리는 변경되어서는 안됩니다.

5. 유지보수 지침

**⚠ Caution** 손상/변형이 있는 제품을 사용하지 마십시오. 비정상적인 소음이나 진동이 있으면 즉시 사용을 중단한 후 검사하고 제조사에 도움을 요청하십시오. 이 검사는 제조사 또는 공급사가 승인한 수리 시설에서 검사하는 것이 바람직합니다.

**⚠ Caution** 유압 장치 고장의 가장 큰 유일한 원인은 먼지입니다. 서비스 책을 항상 청결하고 윤활유를 잘 도포한 상태를 유지하여 이 물질이 시스템에 들어가지 않게 하십시오. 잭이 비, 눈, 모래, 또는 돌 조각 등에 노출된 경우 사용 전에 반드시 청소해야 합니다. 작은 피스톤을 완전히 후퇴시킨 상태로 부식성 증기, 마모성 먼지, 또는 다른 유해한 요소들에 노출되지 않은 잘 보호된 공간에 보관하십시오. 제품의 상태를 주기적으로 점검하십시오.

제품은 건조하고 부식이 발생하지 않는 곳에 보관해야 합니다.

소유자 및/또는 운전자는 이 장비의 수리에 전문 지식과 시설이 필요하다는 사실을 잘 알고 있어야 합니다. 제조사 또는 공급사의 승인을 받은 수리 시설에서 연례 검사를 수행하여 결함이 있는 부품, 스티커 또는 안전 라벨이나 표시를 제조사 또는 공급사가 지정한 부품으로 교체하는 것이 좋습니다. 승인된 수리 시설에 대해서는 제조사 또는 공급사에 연락해서 확인하시기 바랍니다.

어떤 방식으로든 파손되거나 마모되거나 비정상적으로 작동되는 모든 제품은 수리하지 않은 경우 절대로 사용하면 안 됩니다. 제조사 또는 공급사가 수리를 승인한 경우 제조사 또는 공급사의 승인을 받은 수리 시설에서 필요한 수리 작업을 수행할 것을 권장합니다.

장비 제조사에서 공급된 부품품 및 어떠한 사용해도 주십시오.

디자인에 따라 검증되었습니다: ASME ASP-2010

7. 준수 선언서

회사명: CHICAGO PNEUMATIC Tool Co. LLC, 1815 Clubhouse Road, Rock Hill, SC 29730 - USA

제품: CP86750/CP86100 일련 번호: 00001-99999

기계 유형: 유압 프레스 제조국: 중국

당사는 "기계류"에 관한 회원국 법률과 관련된 위원회 규정에 부합합니다. 2006/42/EC (17/05/2006)

적용 가능한 조화 규격: EN 13736 : 2003 + A1 : 2009

발행자 이름 및 직위: Pascal Roussy (R&D Manager)

발행처 및 날짜: Saint-Herblain, 10/04/2020



EU 본부에서 입수할 수 있는 기술 파일. Nicolas Lebreton R&D manager CP Technocenter 38, rue Bobby Sands - BP10273 44800 Saint Herblain - France

설명서 원본은 영어로 작성되었습니다. 다른 언어로 된 설명서는 원본 설명서의 번역본입니다.

Copyright 2020, Chicago Pneumatic Tools

모든 권리 보유. 본 설명서의 내용 또는 일부 내용에 대한 승인 받지 않은 사용을 금지합니다. 이 규정은 특히 상표, 모델 명칭, 부품 번호, 도면에 적용됩니다. 승인된 부품만 사용하십시오. 미승인 부품을 사용함으로써 발생하는 손실과 오작동은 제품보증 또는 제조물 책임법에 의한 보호를 받을 수 없습니다.







**Chicago  
Pneumatic**

[www.cp.com](http://www.cp.com)